

MERIDAN CENTRAL ESTATE - STAGE 45

BROWNS PROPERTY PTY. LTD.

CITY OF CASEY

CONSTRUCTION NOTES

SITE MANAGEMENT

- A1. Prior to commencement of works on site, the contractor must ensure that all matters relating to the Occupational Health & Safety Act 2004, including all relevant regulations, have been addressed. In particular, the required notifications must be conveyed to the Victorian Workcover Authority - Health & Safety division with respect to trenching operations. Details of the contractors occupational health & safety procedures must be lodged with the superintendent prior to commencement of works.
- A2. All native trees & shrubs to be retained unless road construction necessitates their removal or removal is directed by the engineer. A town planning permit is required for the removal of native trees & / or vegetation. The removal or retention of any existing trees must be in accordance with the approved landscape plan, or else approval will be required from the City of Casey landscape approvals officer.
- A3. Existing dam or watercourses to be excavated to a firm base & backfilled as specified. Consulting engineer to be notified when the dam or watercourses are excavated to a firm base. No filling is to be placed prior to dams being inspected & levels taken. Backfilling is to be carried out to the satisfaction of the Council supervising engineer.
- A4. Prior to commencement of works, the contractor must submit a Site Management Plan (SMP) to the consultant for approval. The contractor must comply with the recommendations of the Environment Protection Authority publication No.275 "Construction techniques for sediment pollution control". Appropriate siltation control is to be maintained throughout the construction & maintenance period of the works.
- A5. Provide temporary safety barrier fence (Farm Fence as per MW Std Dwg 72514/203) along extent of outfall drain where the drain is greater than 1.5m in depth & side slopes are steeper than 1 in 3. Safety fence to remain until permanent underground drainage is installed.
- A7. Contractor to remove existing irrigation & drainage pipes & pits encountered on site. Trenches to be backfilled in accordance with notes C2 & C3.

GENERAL

- B1. All works to be carried out in accordance with AS2124-1992 general conditions of contract & the City of Casey and EDCM current specification & standard drawings & to the satisfaction of the City of Casey works supervisor.
- B2. Council to be notified two (2) clear days prior to commencement of works.
- B3. Before commencement of works on trenches in excess of 1.5m deep, the civil contractors construction supervisor must give notice in writing of such proposals to Worksafe Victoria in accordance with Part 5.1, Division 4 of the Occupational Health & Safety regulations (2007) & undertake safety precautions in trenching operations in accordance with Workcover's code of practice (1988).
- B4. Lots to be graded (1 in 150 min slope) & left clean to the satisfaction of the engineer. Finished levels to be compatible with lots adjoining this stage.
- B5. On completion the contractor is responsible for the removal of all rubbish & spoil from site. No surplus trees, vegetation or other material is to be burnt on site.
- B6. Reserves to be free draining & to be left in a condition satisfactory to the City of Casey works supervisor.
- B7. Where works are in the vicinity of existing services these services are to be located & the various authorities notified prior to the commencement of works.
- B8. All TBM's & control points are to be maintained & protected at all times during construction. Should any marks be disturbed, the contractor will immediately notify the consultant to arrange re-statement at the contractors expense.
- B9. Provide painted paling fence along any boundary common to lots & municipal reserves as per Council Std. Dwg. S-706. Paling to be on the reserve side.
- B10. As constructed plans and electronic asset information in D-Spec and R-Spec format must be submitted to Council prior to practical completion.
- B11. A CCTV report must be provided for all drainage lines prior to issue of practical completion.
- B12. An environmental management plan (EMP) must be submitted to and approved by Council prior to the commencement of any works on site and all works must be carried out in accordance with this EMP.
- B13. A traffic management plan (TMP) must be submitted to, and approved by council prior to the commencement of any works on site and all traffic management must be carried out in accordance with this TMP.
- B14. If any existing substandard filling is encountered on the site it must be removed and replaced with approved fill material properly compacted to council requirements. A geo-technical report must be submitted showing detail of depth, type of material and density of the fill areas concerned.
- B15. Temporary crushed rock turn around areas must be maintained in a safe and sound condition so that vehicles are able to use them at all times.

ROADWORKS

- C1. 100a agricultural pipe drains (MPA standard drawing EDCM 202) to be placed behind all kerb & channel & buffer pitches & where directed by the engineer.
- C2. Filling in all properties & road reserves is to be carried out using approved clay fill. Top soil & all vegetable matter to be stripped from site prior to filling. All filling to be carried out in accordance with AS3798-2007 and the geotechnical report. Level 1 inspection and testing to be carried out in accordance with AS3798-2007 Section 8.2. A fill report must be submitted to the Consultant, showing from a NATA registered soil testing laboratory.
- C3. Importing Fill: All imported fill must be tested by a NATA approved laboratory to ensure it is suitable for use on site, & any contaminants are within accepted levels. Under no circumstances should fill material enter or leave the site without the permission of the supervising engineer & Council works supervisor, prior to it being appropriately tested. All vehicles transporting fill material to & from the site must have appropriate measures in place to ensure that material does not get onto roads & into stormwater systems & natural waterways.
- C4. Batters to be 1 in 5 for fill & 1 in 3 for cut unless noted otherwise.
- C5. Cut batters are to be grassed & mulched with a mixture of chopped grass, straw & bitumen emulsion.
- C6. Where cut batters exceed 700mm an additional 300mm berm shall be formed behind footpath.
- C7. Access ramps are to be constructed where cut batters exceed 1.0m. They are to be graded 1 in 10 for the first 2.5m from the back of path & then at a maximum of 1 in 4 to natural surface.
- C8. The water conduit offset from the lot boundary is given on the water reticulation plan. The contractor must construct conduits to accord with the given offset & ensure that the concrete marks the kerb & footpath exactly above the conduit.
- C9. Irrigation conduits are to be DN100 DWV PVC installed beneath the pavement and/or capping layer, if present. Locations are to be marked using a green dot spray painted on the top of kerb.
- C10. All footpaths are to be 125mm thick 25MPa concrete with SL72 mesh centrally located in accordance with the MPA standard drawing EDCM 401.
- C11. NBN Co to be notified seven (7) days prior to concrete works being placed.
- C12. Electrical distribution pits within footpaths are to be a minimum of 300mm within the edge of the path. Concrete is to be placed around distribution pits to a minimum depth of 200mm.
- C13. All street signs to be constructed & erected to current City of Casey standards including logo. Court street names are to show court name only.
- C14. Traffic control signs, markings & delineators to be installed in accordance with AS1742.2. All line marking is to be long life road marking, with longitudinal lines in thermoplastic & transverse markings in cold applied.
- C15. Driveways to be constructed in accordance with the MPA standard drawings EDCM 501 & EDCM 502. Single driveways to be a minimum 3.5m wide & to be offset 0.75m from side boundary or easement unless otherwise shown.
- C16. Kerb transition to take place in the minor street over a 2.0m length from either the tangent point or TP pit.
- C17. Existing road works to be reconstructed as required to provide, without discontinuity, a connection in accordance with design levels & grades.
- C18. Provide 2.5m wide shared footpath through reserves as shown on a curvilinear alignment to the satisfaction of the engineer.
- C19. Tactile ground surface indicators (TGS) are to be installed at all tram crossings & pedestrian cross points in accordance with AS1428.4 : 2002 & MPA standard drawing EDCM 403.

DRAINAGE

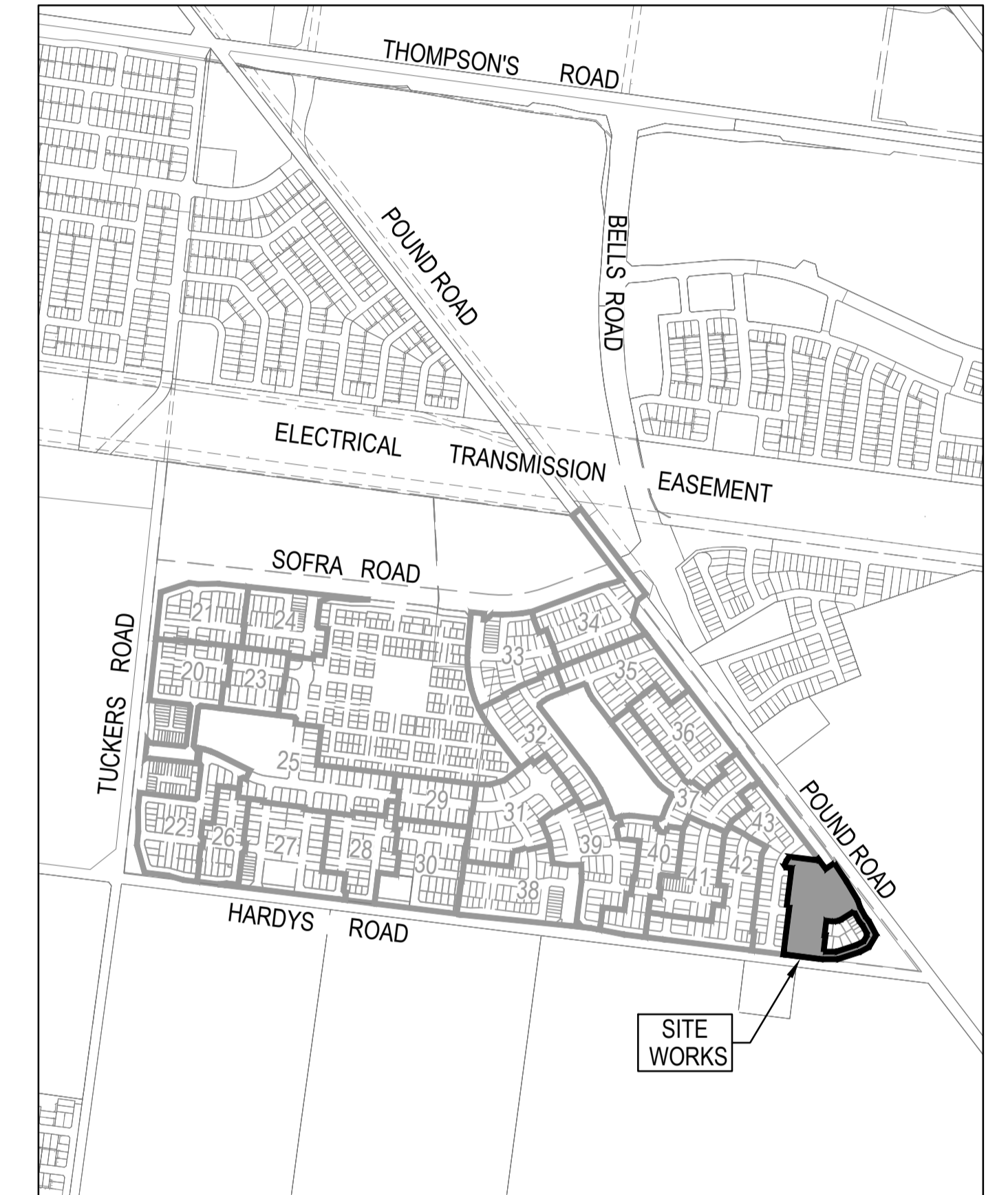
- D1. Drainage & pits to be set out from offsets shown rather than from centreline pipe chainages.
- D2. Lightweight fibreglass type pit lids are required for all drainage pits & all grates for pits are to be Class D, to comply with AS3996 unless otherwise shown. All drainage works are to be constructed to council specifications.
- D3. All pipes up to and including 750mm in diameter shall be rubber ring jointed (RRJ). Pipes above this size may be flush jointed with external sealing bands. For pipes greater than 900mm and changes in direction between 2 connecting pipes exceeding 10° construct segmented curves using splayed pipes with bandage joints, having deflections within the manufacturer's specification.
- D4. All pipes to be Class 2" R.C. unless noted otherwise. PVC pipes to be Class SH unless specified.
- D5. Pipe trenches beneath the road pavement, footpath or within 150mm of the kerb & channel to be backfilled with 20mm Class 3 FCR in 150mm layers.
- D6. Property inlets to be constructed as per MPA standard drawing EDCM 701 - EDCM 704.
- D7. All proposed drainage stubs to be blanked off at end of pipe with timber planks to the satisfaction of the supervising engineer.

PAVEMENT

- E1. Modification of the pavement requires approval by the City of Casey works supervisor.

DRAWING INDEX

DRAWING No.	TITLE	REVISION
1801767-45-001	COVER SHEET	B
1801767-45-002	TYPICAL ROAD CROSS SECTIONS, PAVEMENT MAKEUP & GENERAL DETAILS	A
1801767-45-003	RETAINING WALL DETAILS	A
1801767-45-010	LAYOUT PLAN (SHEET 1 OF 2)	B
1801767-45-011	LAYOUT PLAN (SHEET 2 OF 2)	A
1801767-45-100	ROAD LONGITUDINAL SECTIONS ALAMBADI CIRCUIT (SHEET 1 OF 2)	A
1801767-45-101	ROAD LONGITUDINAL SECTIONS ALAMBADI CIRCUIT (SHEET 2 OF 2)	A
1801767-45-102	ROAD LONGITUDINAL SECTIONS HERENS ROAD	A
1801767-45-102	ROAD LONGITUDINAL SECTIONS RETAINING WALL	A
1801767-45-200	ROAD CROSS SECTIONS ALAMBADI CIRCUIT (SHEET 1 OF 5)	A
1801767-45-201	ROAD CROSS SECTIONS ALAMBADI CIRCUIT (SHEET 2 OF 5)	A
1801767-45-202	ROAD CROSS SECTIONS ALAMBADI CIRCUIT (SHEET 3 OF 5)	A
1801767-45-203	ROAD CROSS SECTIONS ALAMBADI CIRCUIT (SHEET 4 OF 5)	A
1801767-45-203	ROAD CROSS SECTIONS ALAMBADI CIRCUIT (SHEET 5 OF 5)	A
1801767-45-204	ROAD CROSS SECTIONS HERENS ROAD	A
1801767-45-300	INTERSECTION DETAILS (SHEET 1 OF 2)	A
1801767-45-301	INTERSECTION DETAILS (SHEET 2 OF 2)	A
1801767-45-350	SIGNAGE & LINE MARKING PLANS	A
1801767-45-400	DRAINAGE LONGITUDINAL SECTIONS (SHEET 1 OF 3)	A
1801767-45-401	DRAINAGE LONGITUDINAL SECTIONS (SHEET 2 OF 3)	A
1801767-45-402	DRAINAGE LONGITUDINAL SECTIONS (SHEET 3 OF 3) & PIT DETAILS	A
1801767-45-403	PIT SCHEDULE	B



SITE PLAN

NOT TO SCALE

MELWAY REF: 135 H4

Survey Origin:

Coordinates are on a local plane datum based upon MGA2020 Zone 55 bearings and truncated MGA2020 Zone 55 co-ordinates at PM77. Heights are to AHD vide Permanent Mark PM 56 (Cranbourne) RL 26.71 Bearing Datum is MGA2020 Zone 55 which has been derived by our GPSnet Survey.

Plane Grid Coordinates to MGA2020 Zone 55 Grid Coordinates

Conversion:

(PLANE SHIFT) Add + 353,823.586 to Eastings

Add +5,780,840.520 to Northings

(APPLY SCALE FACTOR) Scale by 0.999846 at point PM77

ISSUED FOR CONSTRUCTION

© COPYRIGHT All rights reserved
Beveridge Williams & Co. Pty Ltd has granted a licence to the principle to use this document for its intended purpose.
No unauthorised copying is permitted

REV	DESCRIPTION	DATE	DRN.	APP.	REV	DESCRIPTION	DATE	DRN.	APP.
B	DRAWING INDEX UPDATED	30.06.23	M.F.	M.F.					
A	ISSUED FOR CONSTRUCTION	06.06.23	M.F.	M.F.					



Designed
Date C.DAWSON
22.12.2022

Drawn
L.SUTHERLAND

Checked
Date M.FELICIANO
12.10.2023

Approved
Reg. No. M.FELICIANO
PE0005645
Date 12.10.2023

PS Number
PS908401V

BW Beveridge Williams
Development & Infrastructure Consultants
1 Glenferrie Road
Malvern VIC 3144
ph: 03 9524 8888
www.beveridgewilliams.com.au

Project Details
MERIDIAN CENTRAL ESTATE
STAGE 45
CITY OF CASEY

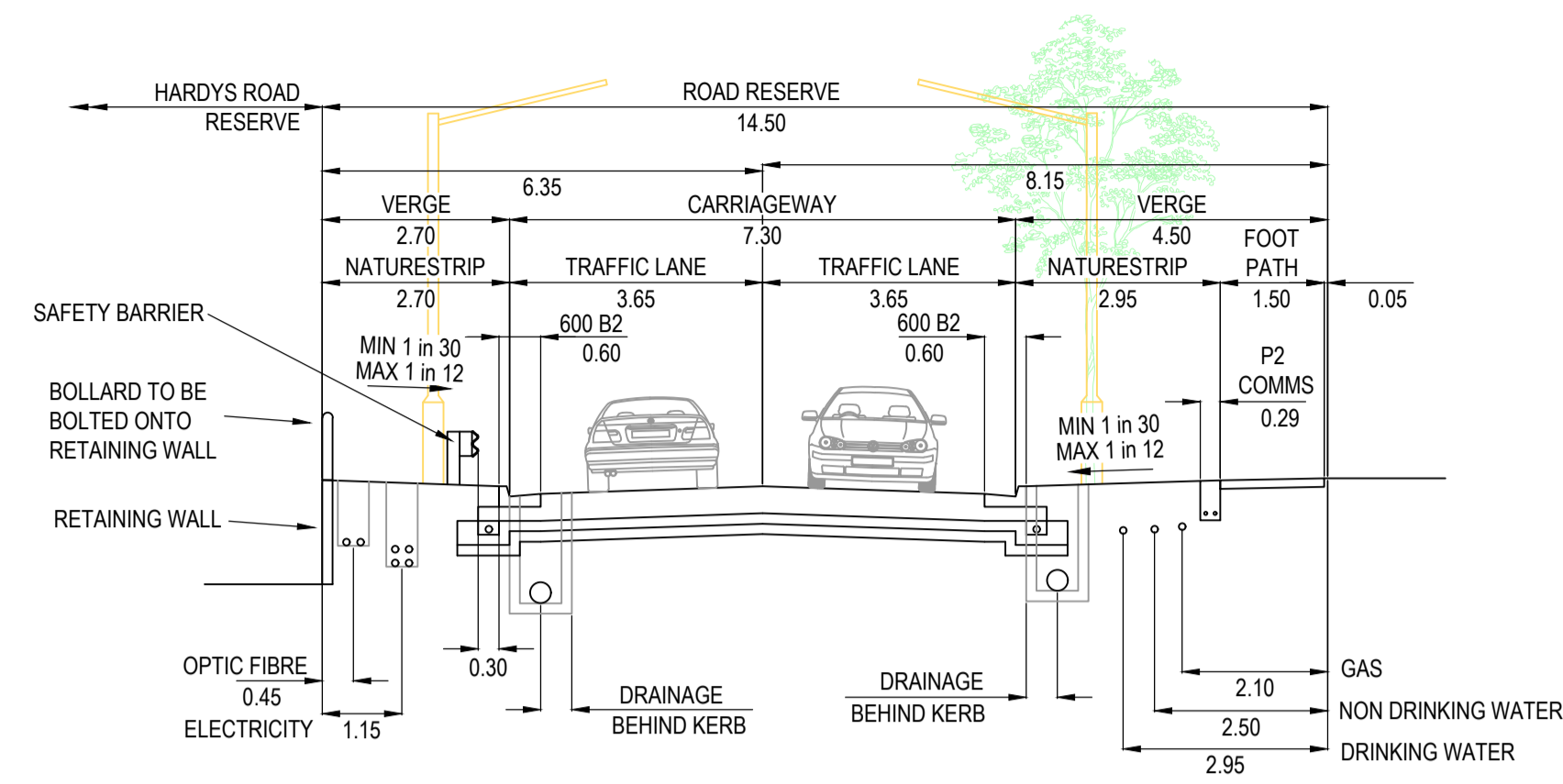
Drawing Title
COVER SHEET

Sheet 01 of 22

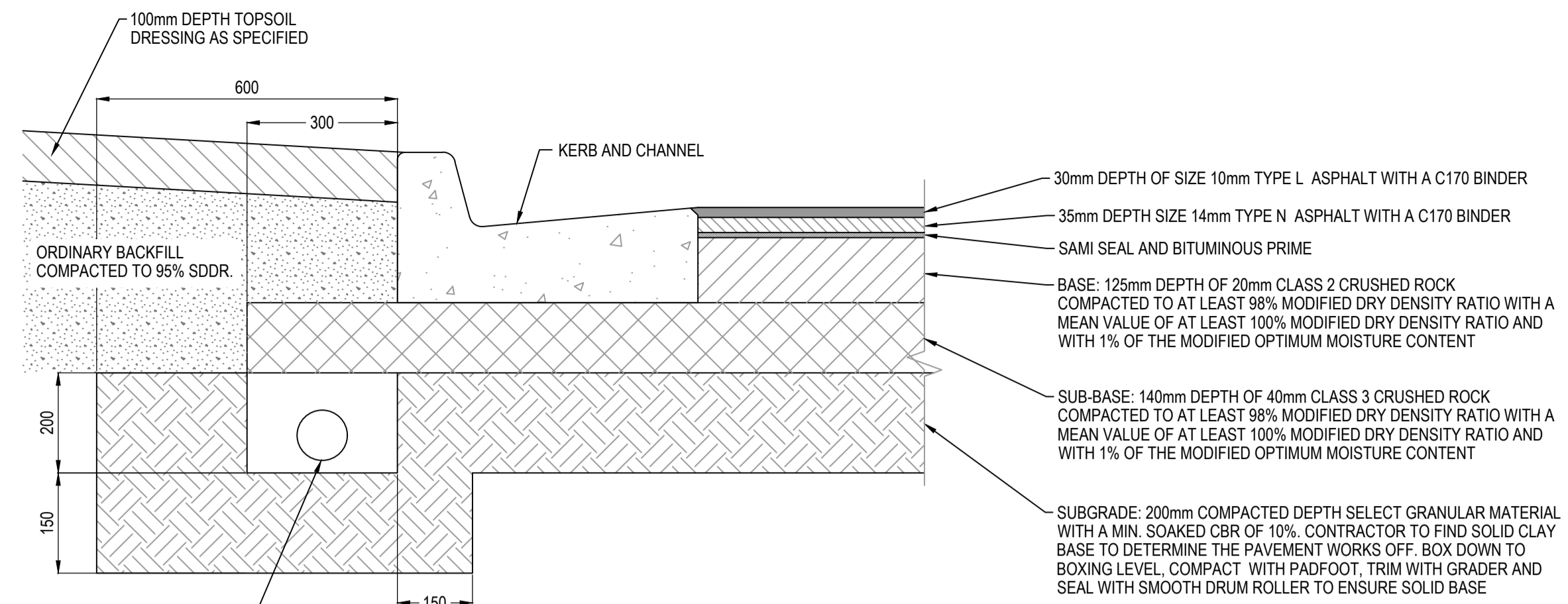
Scale

AS SHOWN

Project Ref	Stage No	Drawing No	Rev
1801767	45	001	B

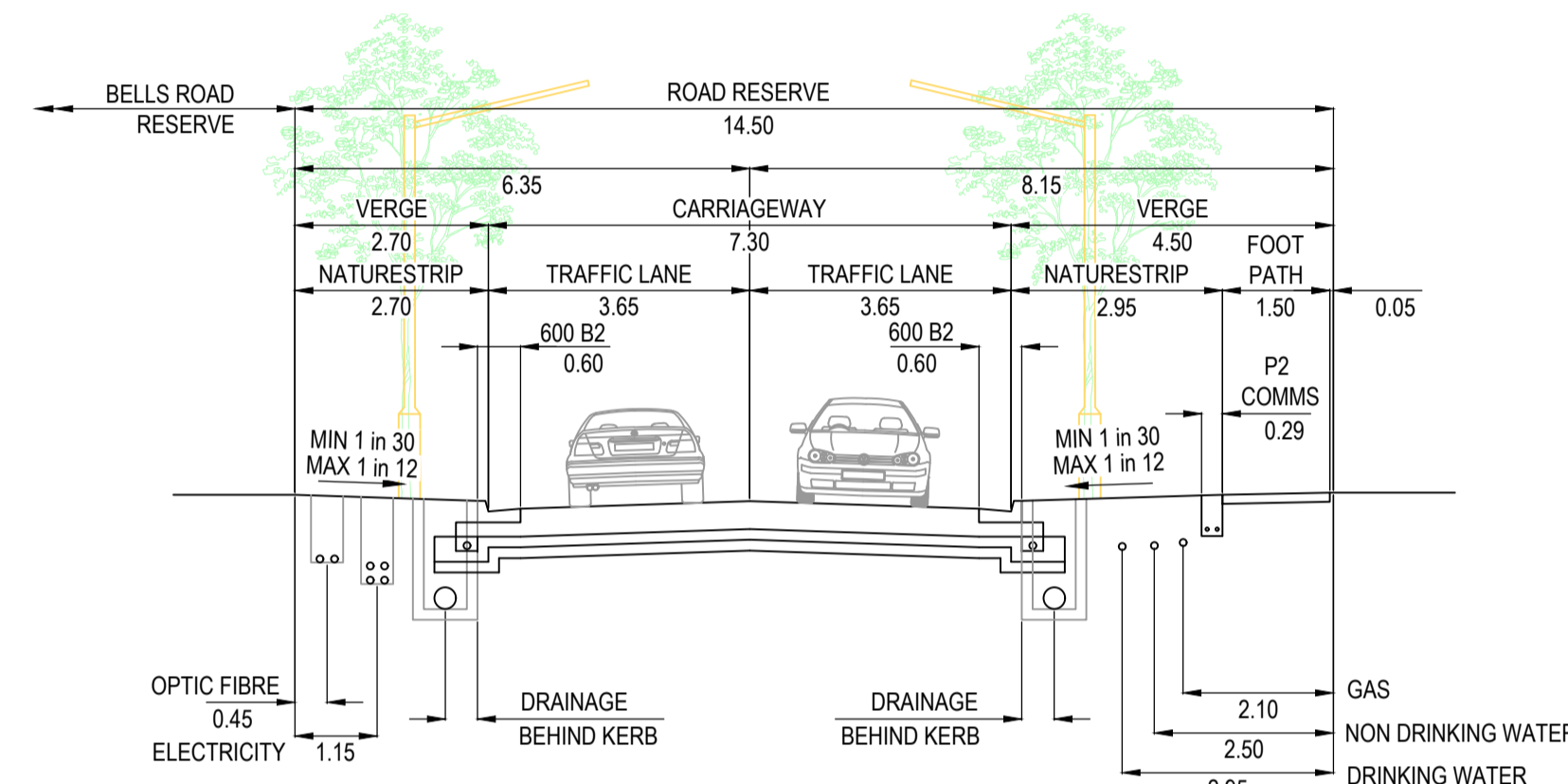


14.5m ROAD RESERVE
ALAMBADI CIRCUIT (LOTS 4501 - 4505)
SCALE 1:100

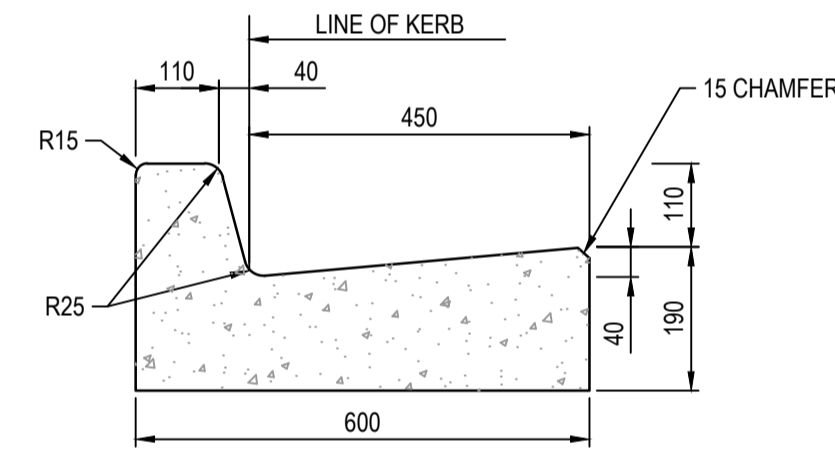


PAVEMENT COMPOSITION
ALAMBADI CIRCUIT & HERENS ROAD
530mm DEPTH
N.T.S.

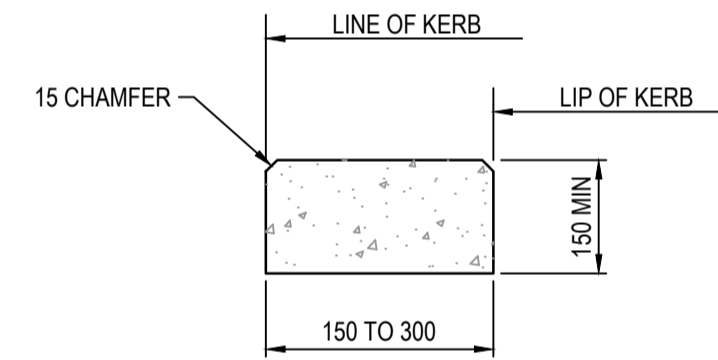
REFER STANDARD DRAWING
EDCM 202 FOR DETAILS.



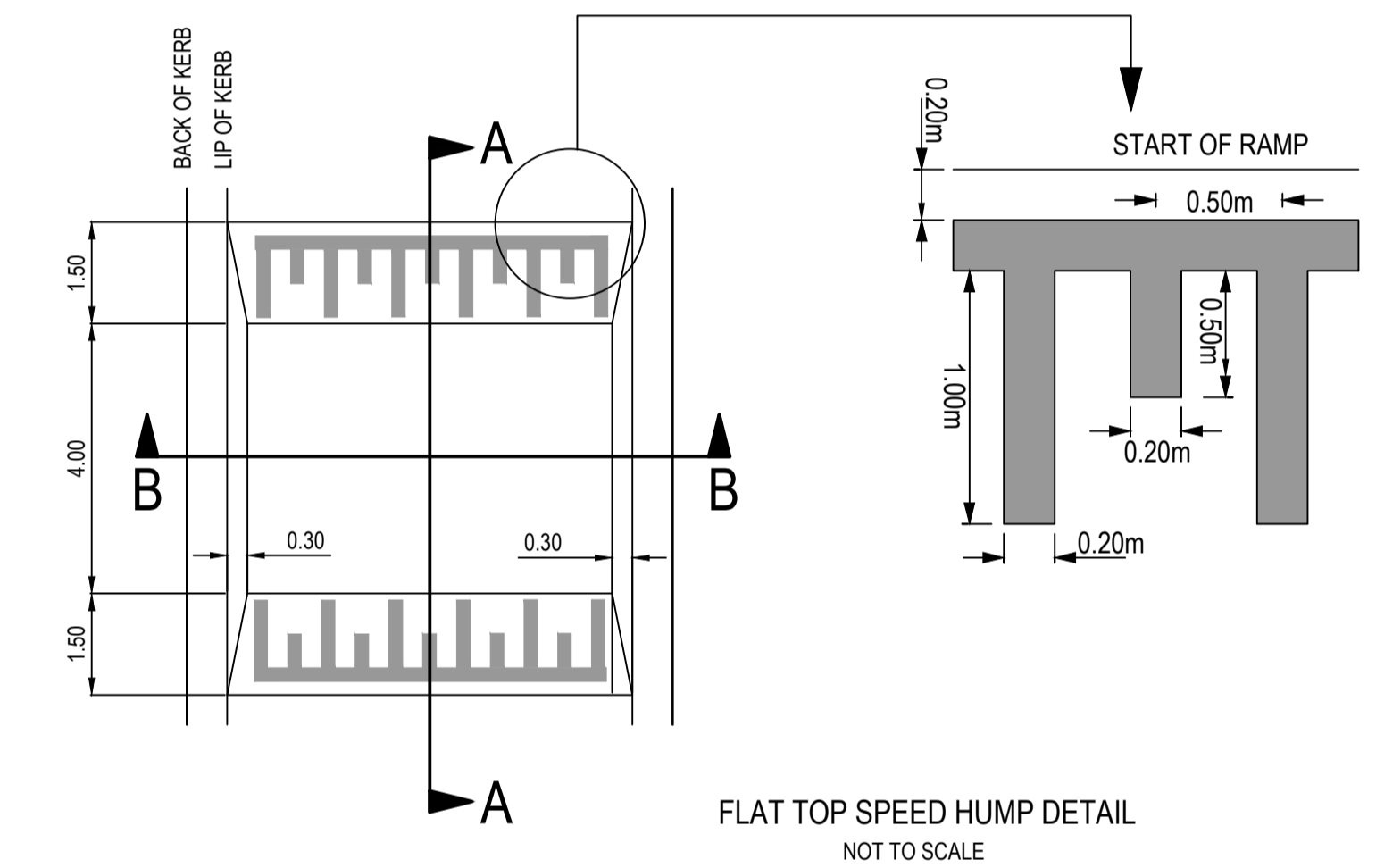
14.5m ROAD RESERVE
ALAMBADI CIRCUIT (LOTS 4531 - 4538)
SCALE 1:100



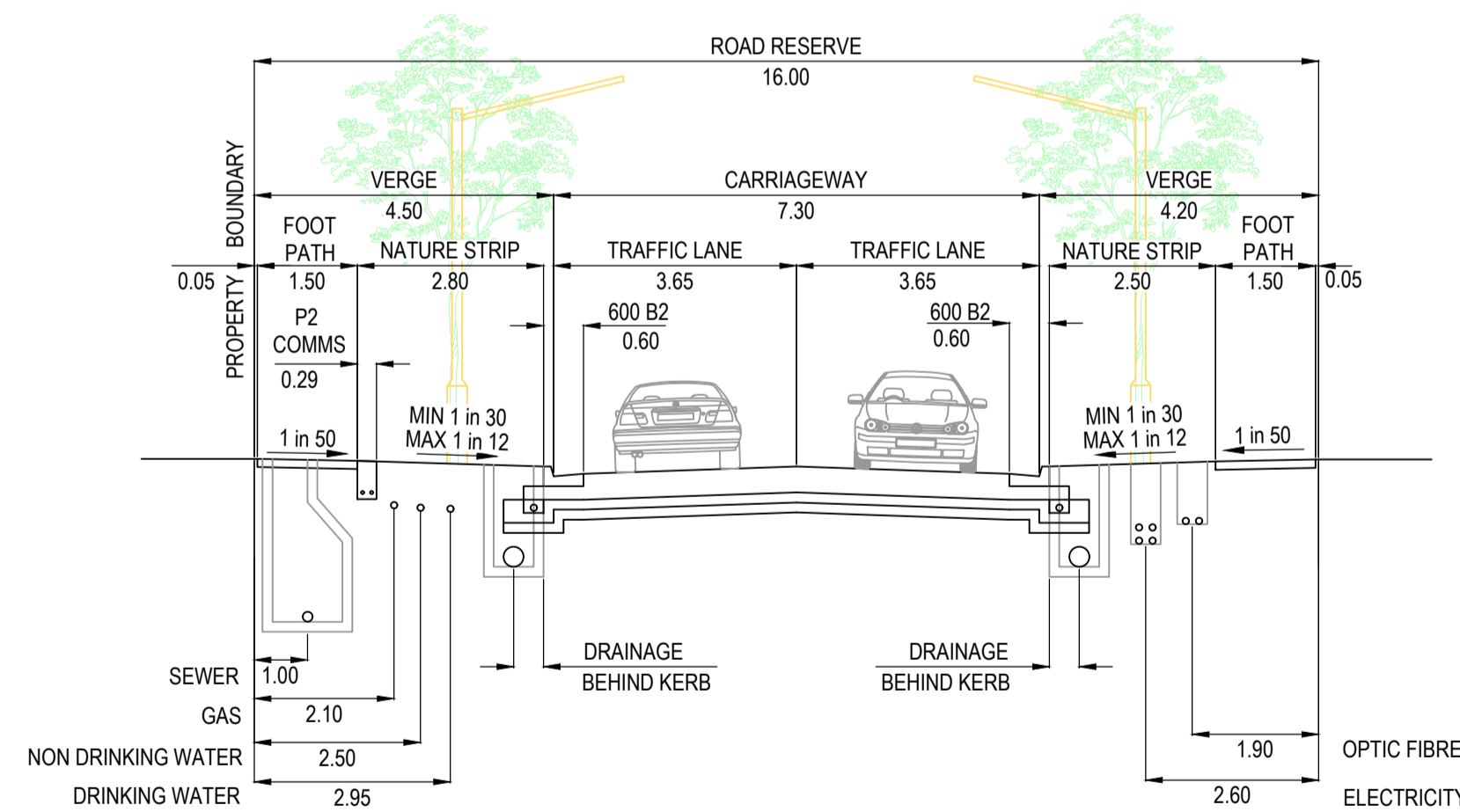
600 WIDE BARRIER KERB (600 B2) DETAIL
SCALE 1:10



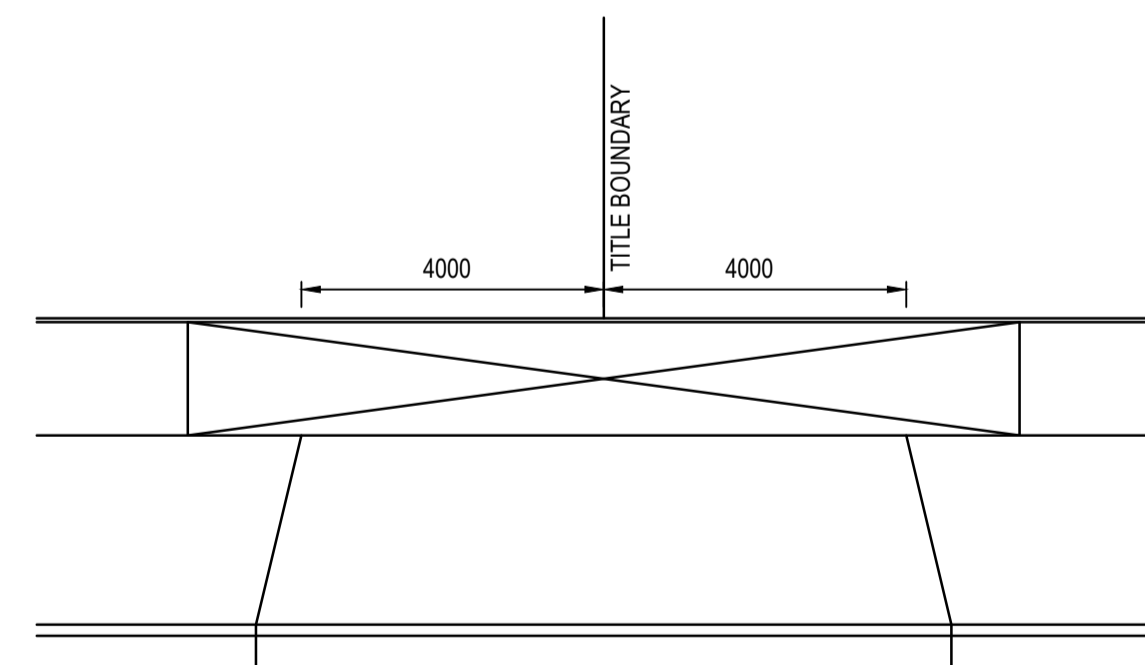
EDGE STRIP DETAIL
SCALE 1:10



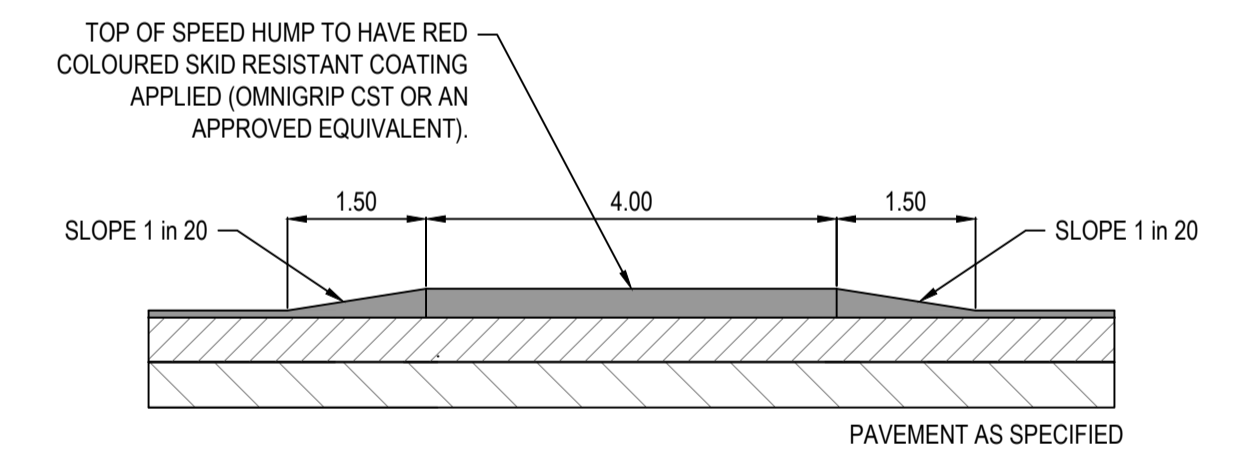
FLAT TOP SPEED HUMP DETAIL
NOT TO SCALE



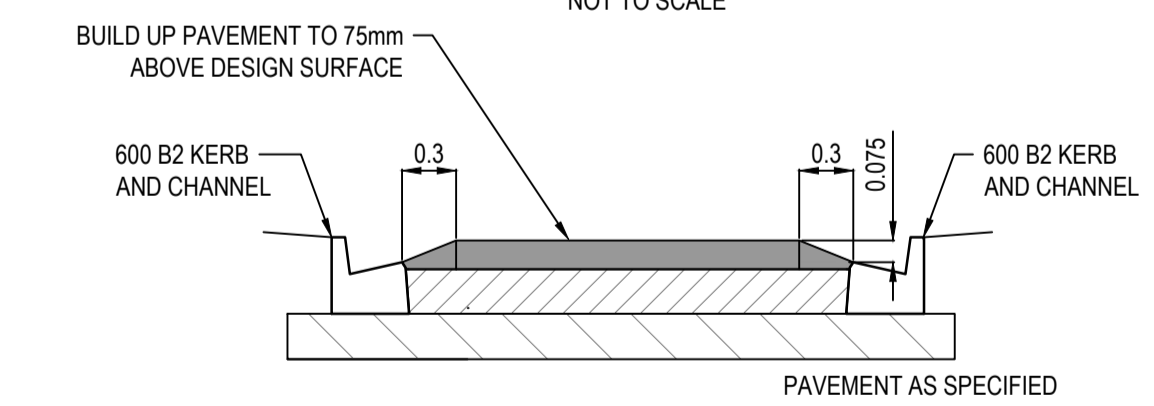
16.0m ROAD RESERVE
ALAMBADI CIRCUIT (LOT 4544 - 4550) & HERENS ROAD
SCALE 1:100



NOTES
1. REFER TO EDCM 502 FOR FURTHER DETAILS
8.0m DOUBLE VEHICLE CROSSING DETAIL
NOT TO SCALE



SECTION A-A
NOT TO SCALE



SECTION B-B
NOT TO SCALE

ISSUED FOR
CONSTRUCTION

© COPYRIGHT All rights reserved
Beveridge Williams & Co. Pty Ltd has granted a licence to the principle to use this document for its intended purpose.
No unauthorised copying is permitted

REV	DESCRIPTION	DATE	DRN.	APP.	REV	DESCRIPTION	DATE	DRN.	APP.
A	ISSUED FOR CONSTRUCTION	06.06.23	M.F.	M.F.					



Designed
Date
Drawn
Checked
Date
Approved
Reg. No.
Date
PS Number

C.DAWSON
22.12.2022
L.SUTHERLAND
M.FELICIANO
12.10.2023
M.FELICIANO
PE0005645
12.10.2023
PS90840TV

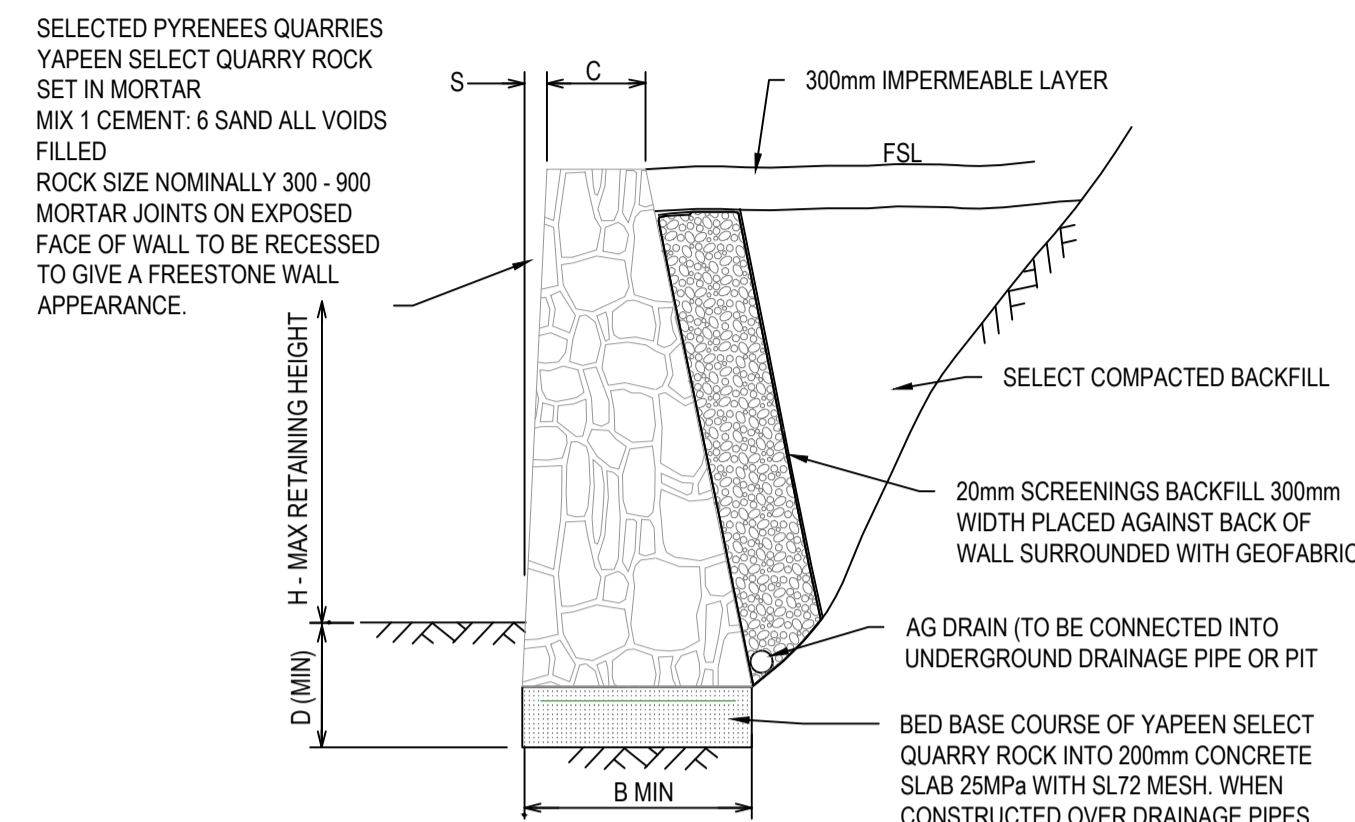
BW Beveridge Williams
Development & Infrastructure Consultants
1 Glenferrie Road
Malvern VIC 3144
ph: 03 9524 8888
www.beveridgewilliams.com.au

Project
Details
MERIDIAN CENTRAL ESTATE
STAGE 45
CITY OF CASEY
Drawing
Title
TYPICAL ROAD CROSS SECTIONS,
PAVEMENT MAKEUP & GENERAL DETAILS

Sheet 02 of 22

Scale
AS SHOWN

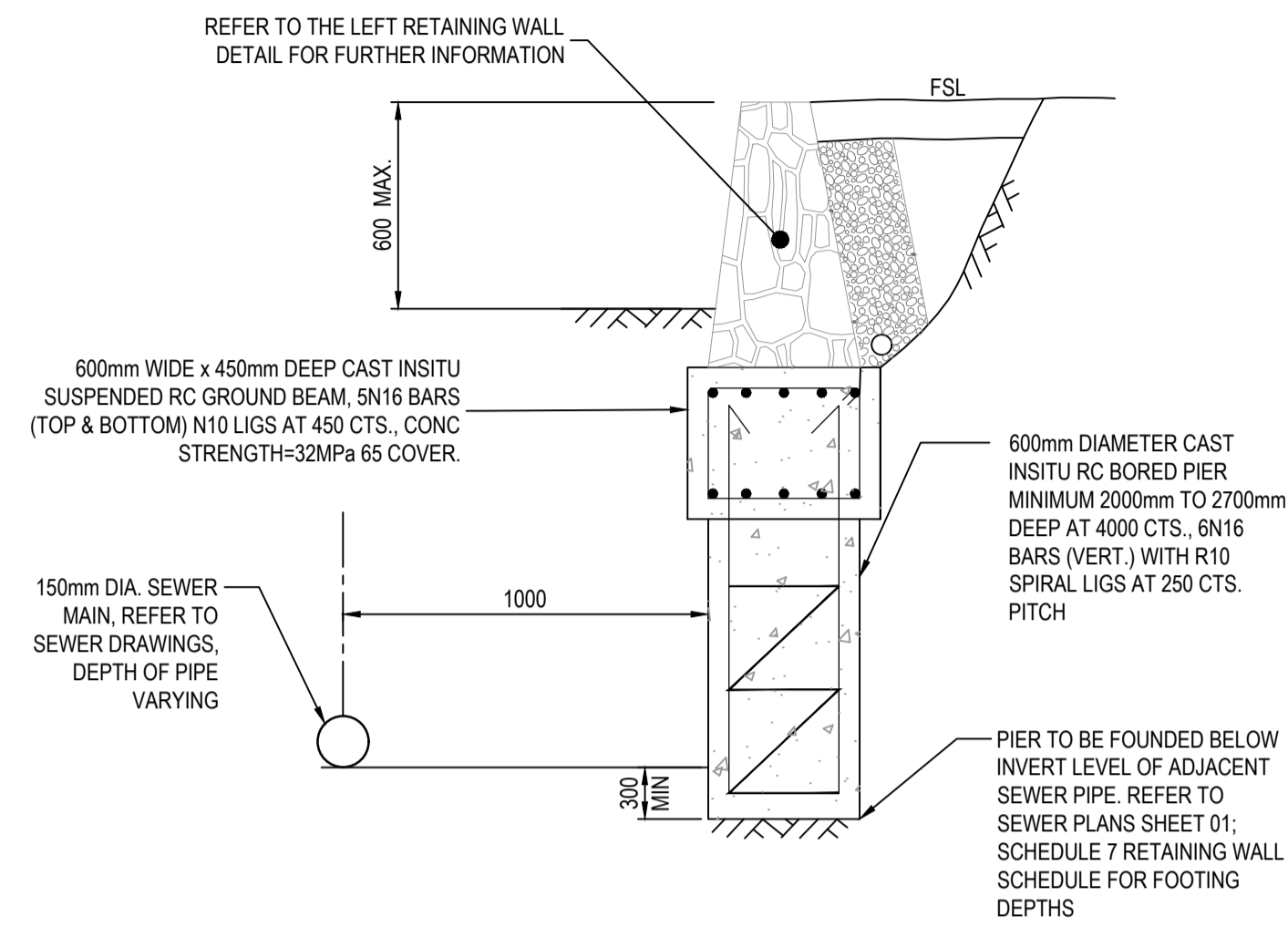
Project Ref
1801767
Stage No
45
Drawing No
002
Rev
A



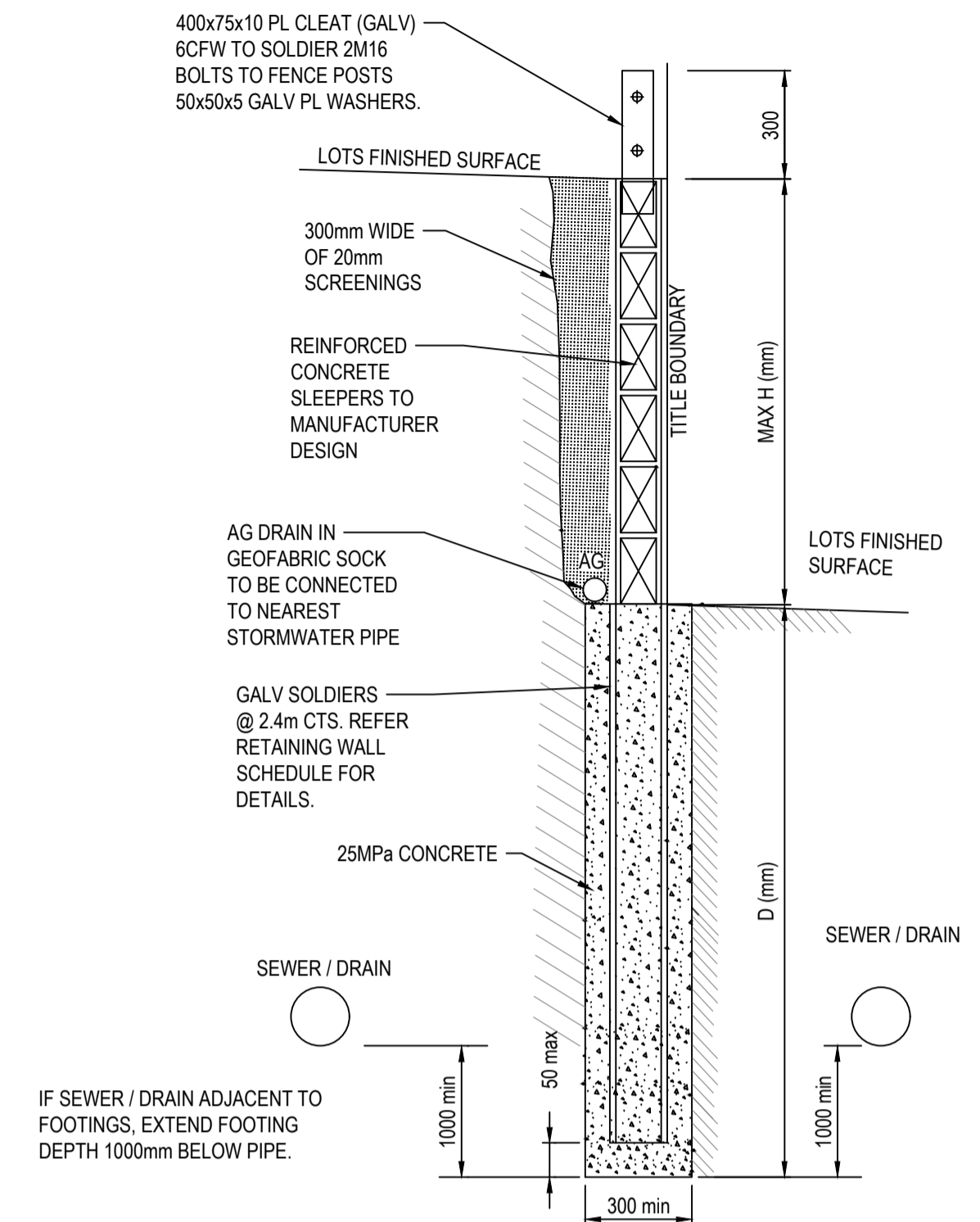
MASS ROCK RETAINING WALL DETAIL (TYPE RR)
NTS

MASS ROCK RETAINING WALL SCHEDULE				
MAX WALL HEIGHT-H(mm)	FOUNDING DEPTH-D(mm)	BASE WIDTH - B(mm)	FRONT FACE SETBACK-S (mm)	CREST WIDTH-C(mm)
400	400	450	15	300
500	400	500	15	300
600	400	500	30	300
800	400	600	30	300
1000	400	700	30	300

- RETAINING WALL NOTE R.1
a. WHERE FOOTPATH ABUTS RETAINING WALL CONTINUE CONCRETE UP TO BASE OF RETAINING WALL.
- FOUNDING NOTE F.2
a. TOE OF WALL SHALL PENETRATE THROUGH ANY FILL MATERIAL & THE NATURAL SILT SOILS TO BE FOUNDED AT LEAST 100mm INTO THIS UNDERLYING NATURAL STILL CLAY OR WEATHERED ROCK.
ALL EXCAVATIONS SHALL HAVE FOUNDING DEPTHS AND BEARING CAPACITY APPROVED BY THE ENGINEER OR BUILDING SURVEYOR BEFORE CONCRETE IS PLACED.
FOUNDING EXCAVATIONS WHICH ARE DEEPEP TO PENETRATE THROUGH UNSUITABLE SOILS SHALL BE BACKFILLED UP TO UNDERSIDE OF FOOTINGS WITH 15 MPa BLINDING CONCRETE.
b. ALL EXCAVATION FOUNDING SURFACES SHALL BE LEVEL (NOT INCLINED) CLEAN CUT & FREE OF MUD OR WATER.
c. ALL SEEPAGE INFLOW SHALL BE REMOVED BEFORE PLACEMENT OF CONCRETE.
d. FOOTINGS SHALL BE FOUNDED IN STIFF NATURAL CLAY HAVING A SAFE BEARING CAPACITY OF 150kPa.



MASS ROCK RETAINING WALL FOOTING DETAIL PARALLEL WITH SEWER MAIN (MAX. 600mm HEIGHT)
NTS



CONCRETE SLEEPER RETAINING WALL DETAILS
NTS

CONCRETE SLEEPER RETAINING WALL SCHEDULE		
HEIGHT - H(mm)	DEPTH - D(mm)	SOLDIERS SIZE @ 2.4m CTS
600	900	100 UC 14.8
800	1200	100 UC 14.8
1000	1500	100 UC 14.8

Dmin TO BE GREATER OF THAT SHOWN ABOVE OR 1000mm BELOW ADJACENT SEWER / FRAINAGE

ISSUED FOR CONSTRUCTION

REV	DESCRIPTION	DATE	DRN.	APP.	REV	DESCRIPTION	DATE	DRN.	APP.
A	ISSUED FOR CONSTRUCTION	06.06.23	M.F.	M.F.					

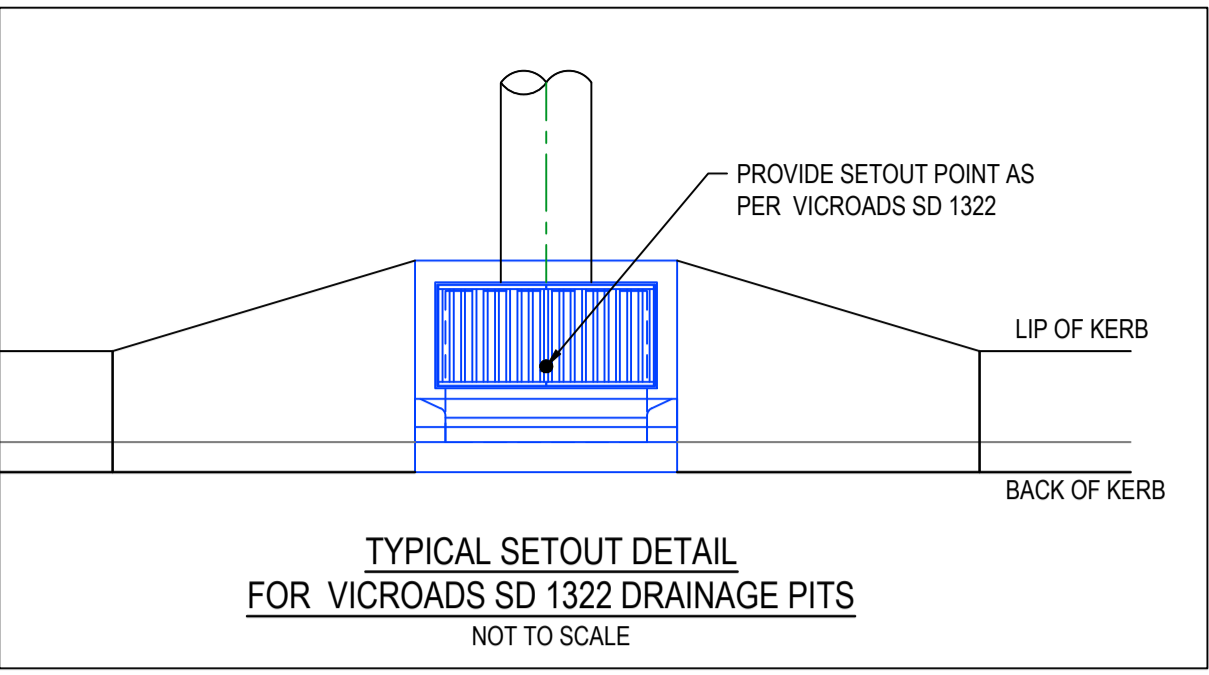
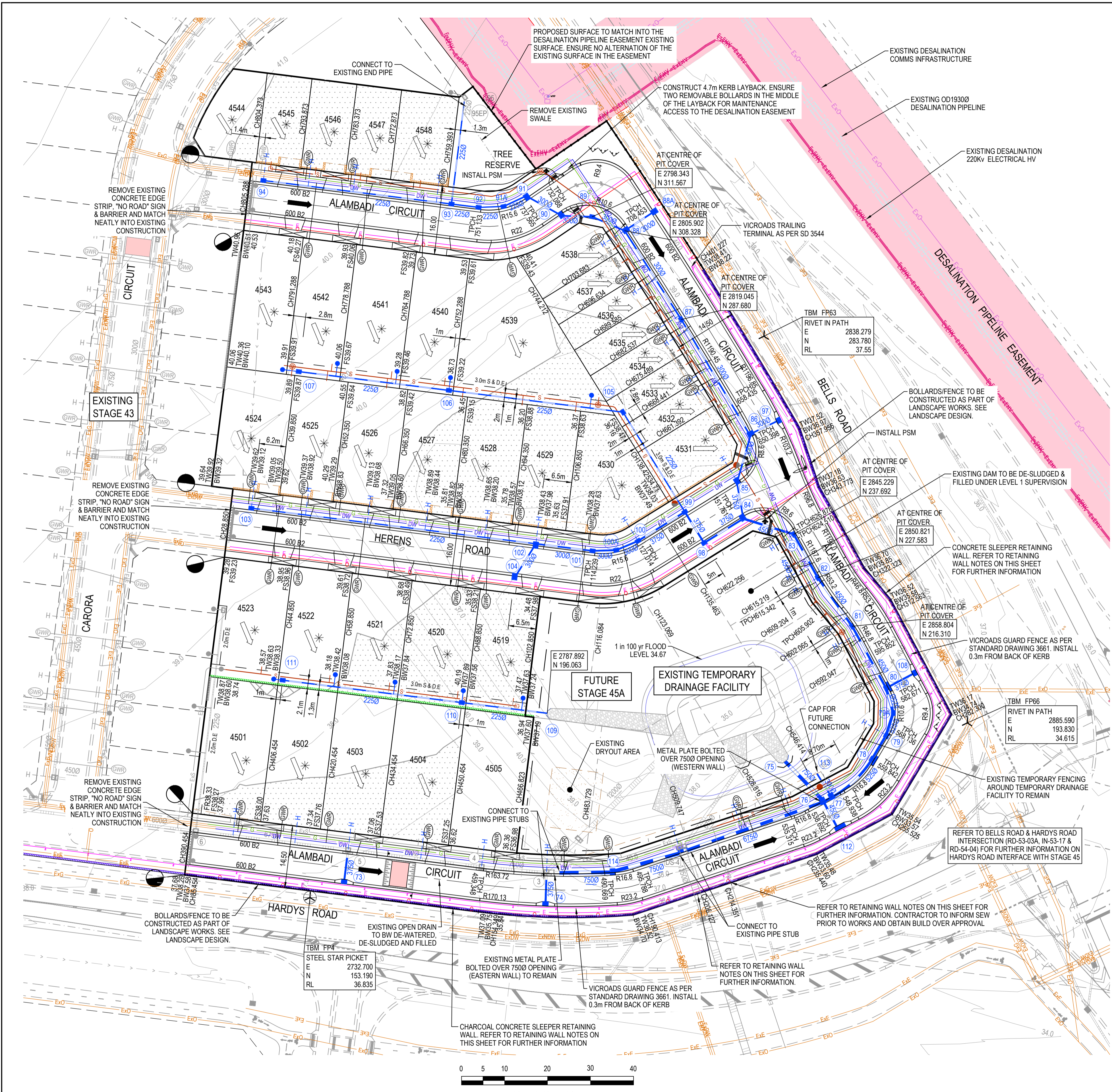


Designed: C.DAWSON
Date: 22.12.2022
Drawn: L.SUTHERLAND
Checked: M.FELICIANO
Date: 12.10.2023
Approved: M.FELICIANO
Reg. No.: PE0005645
Date: 12.10.2023
PS Number: PS90840TV

BW Beveridge Williams
Development & Infrastructure Consultants
1 Glenferrie Road
Malvern VIC 3144
ph: 03 9524 8888
www.beveridgewilliams.com.au

Project Details: MERIDIAN CENTRAL ESTATE
STAGE 45
CITY OF CASEY
Drawing Title: RETAINING WALL DETAILS

Sheet	03 of 22
Scale	AS SHOWN
Project Ref	1801767
Stage No	45
Drawing No	003
Rev	A



- DRAINAGE NOTES**
- PRIOR TO COMMENCEMENT OF CIVIL WORKS, ENSURE EXISTING DAM WAS DE-SLUDGED & FILLED UNDER LEVEL 1 SUPERVISION
 - LOTS 4501, 4502, 4503, 4504 & 4505 HOUSE DRAINS TO BE CONNECTED INTO THE EXISTING ROAD DRAINAGE
 - EXISTING PITS 3, 4 & 5: INSTALL SIDE ENTRY INLET UNIT AND CLASS B COVER
 - FOR PIT 76 INSTALL METAL PLATE ON WESTERN WALL OVER THE DN675 OPENING TO DIRECT FLOW INTO THE DRAINAGE FACILITY

- RETAINING WALL NOTES**
- RETAINING WALL ADJACENT TO HARDYS/BELLS ROAD INTERSECTION REFER TO BG&E STRUCTURAL DRAWINGS 'MERIDIAN CENTRAL WALL OVER SEWER PIPE' V22043 ST-001 TO ST-003
 - PRIOR TO COMMENCEMENT OF ANY RETAINING WALL WORKS, CONTRACTOR TO CONFIRM LOCATION OF EXISTING OD280 PE SEWER AND EXISTING 13500 DRAINAGE AND MAINTAIN MINIMUM HORIZONTAL CLEARANCES IN ACCORDANCE TO V22043 ST-003
 - PRIOR TO COMMENCEMENT OF ANY RETAINING WALL WORKS, CONTRACTOR TO INFORM SEW PRIOR TO WORKS AND OBTAIN BUILD OVER APPROVAL FOR THE SEWER CROSSING
 - RED CHAINAGES REFER TO RETAINING WALL. REFER TO SHEET 08 FOR RETAINING WALL LONGITUDINAL SECTION FOR FURTHER INFORMATION.

LEGEND - LAYOUT PLAN

- STORMWATER DRAIN, PIT & PROPERTY INLET
- MELBOURNE WATER DRAIN & PIT
- SWALE DRAIN
- SEWER & MAINTENANCE STRUCTURES
- HOUSE DRAIN
- SERVICE CONDUITS
- TACTILE PAVERS (INDICATIVE ONLY)
- ELECTRICITY (UNDERGROUND)
- ELECTRICITY (OVERHEAD)
- OPTIC FIBRE
- TELECOMMUNICATIONS
- GAS
- WATER
- RECYCLED WATER
- EXISTING ELECTRICITY (UNDERGROUND)
- EXISTING ELECTRICITY (OVERHEAD)
- EXISTING GAS
- EXISTING OPTIC FIBRE
- EXISTING TELECOMMUNICATIONS
- EXISTING WATER
- EXISTING RECYCLED WATER
- EXISTING STORMWATER DRAIN
- EXISTING SEWER
- EXISTING HOUSE DRAIN
- EXISTING SWALE DRAIN
- EXISTING SURFACE LEVEL
- FINISHED BUILDING LINE LEVEL
- FINISHED RIDGE LINE LEVEL
- TOP OF RETAINING WALL
- BOTTOM OF RETAINING WALL
- RIDGE LINE
- MASS ROCK RETAINING WALL
- CONCRETE SLEEPER RETAINING WALL
- CONCRETE SLEEPER RETAINING WALL AS PER STRUCTURAL PLAN V22043-ST-005
- ZERO LOT LINES
- PAVEMENT TREATMENT
- STRUCTURAL FILL 200mm DEEP
- PROPOSED CUT > 200mm DEEP
- DIRECTION OF FLOW
- OVERLAND FLOW
- ALLOTMENT TO BE GRADED EVENLY IN DIRECTION OF FALL TO LEVELS INDICATED
- CONCRETE EDGE STRIP WITH SUBSOIL DRAIN, 'NO ROAD' SIGN & BARRIER
- LIMIT OF WORKS
- EXISTING TREE TO BE REMOVED
- PERMANENT SURVEY MARK
- TEMPORARY BENCH MARK
- PROPOSED DRIVEWAY
- TREE PROTECTION ZONE (TPZ)

SERVICE OFFSET TABLE

Location	Gas		ND - Water		Water		Electricity		Telecommunication		Sewer	
	Side	Offset (m)	Side	Offset (m)	Side	Offset (m)	Side	Offset (m)	Side	Offset (m)	Side	Offset (m)
ALAMBADI CIRCUIT (LOTS 4501-4505)	NORTH	2.10	NORTH	2.50	NORTH	2.95	SOUTH	1.35	SOUTH	0.45	NORTH	Ex1.00
ALAMBADI CIRCUIT (LOTS 4531-4538)	WEST	2.10	WEST	2.50	WEST	2.95	EAST	1.35	EAST	0.45	WEST	1.00
ALAMBADI CIRCUIT (LOTS 4545-4550)	NORTH	2.10	NORTH	2.50	NORTH	2.95	SOUTH	2.65	SOUTH	1.90	NORTH	1.00
ALAMBADI CIRCUIT (LOTS 4510-4515)	WEST	2.10	WEST	2.50	WEST	2.95	EAST	1.35	EAST	0.45	NORTH	1.00
HERENS ROAD	NORTH	2.10	NORTH	2.50	NORTH	2.95	SOUTH	2.40	SOUTH	1.90	NORTH	1.00

ROAD LAYOUT TABLE

Road Name	Reserve Width (m)	Road Width (m)			Kerb Type		Verge Width (m)	
		Lip to Lip	Inv to Inv	Back to Back	Nth/West	Sth/East	Nth/West	Sth/East
ALAMBADI CIRCUIT (LOTS 4501-4505)	14.50	6.40	7.30	7.60	600 B2	600 B2	4.50	2.70
ALAMBADI CIRCUIT (LOT 4544-4550)	16.00	6.40	7.30	7.60	600 B2	600 B2	4.50	4.20
ALAMBADI CIRCUIT (LOTS 4531-4538)	14.50	6.40	7.30	7.60	600 B2	600 B2	2.70	4.50
HERENS ROAD	16.00	6.40	7.30	7.60	600 B2	600 B2	4.50	4.20

WARNING! (NO GO ZONE)
 NO WORKS TO BE COMMENCED WITHIN THE EXISTING DESALINATION EASEMENT OR OVER THE EXISTING 220KV HV ELEC. 19000 DESAL PIPELINE & OPTIC CABLE WITHOUT PRIOR WRITTEN APPROVAL FROM DELWP AND AUSNET.

WARNING
BEWARE OF UNDERGROUND SERVICES
 The locations of underground services are approximate only and their exact position should be proven on site. No guarantee is given that all existing services are shown. Locate all underground services before commencement of works
DIAL 1100 BEFORE YOU DIG
 www.1100.com.au

ISSUED FOR CONSTRUCTION

© COPYRIGHT All rights reserved
 Beveridge Williams & Co. Pty Ltd has granted a licence to the principle to use this document for its intended purpose.
 No unauthorised copying is permitted

REV	DESCRIPTION	DATE	DRN.	APP.	REV	DESCRIPTION	DATE	DRN.	APP.
B	EXISTING CONTOURS ADDED	30.06.23	M.F.	M.F.					
A	ISSUED FOR CONSTRUCTION	06.06.23	M.F.	M.F.					



Designed: C.DAWSON
 Date: 22.12.2022
 Drawn: L.SUTHERLAND
 Checked: M.FELICIANO
 Date: 12.10.2023
 Approved: M.FELICIANO
 Reg. No.: PE0005645
 Date: 12.10.2023
 PS Number: PS90840TV

BW Beveridge Williams
 Development & Infrastructure Consultants
 1 Glenferrie Road
 Malvern VIC 3144
 ph: 03 9524 8888
 www.beveridgewilliams.com.au

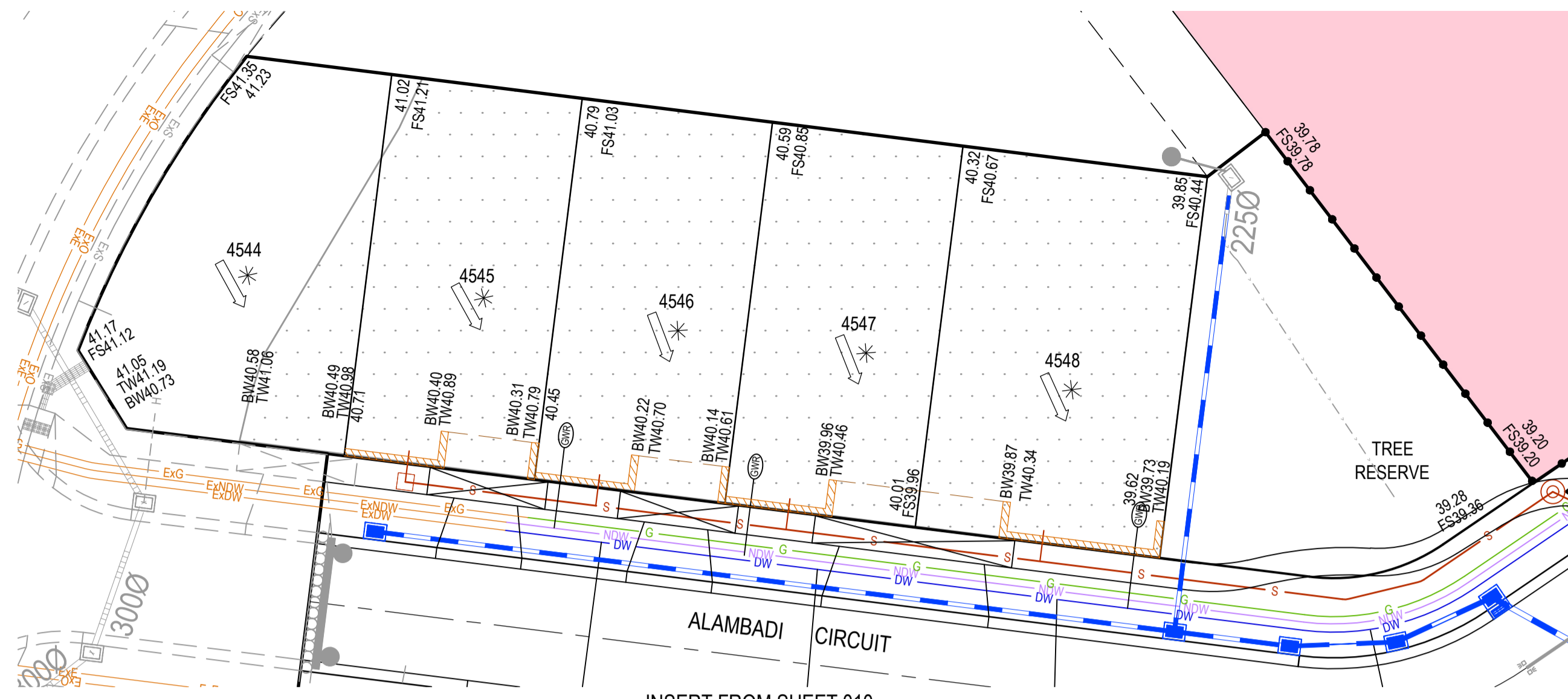
Project Details
MERIDIAN CENTRAL ESTATE
 STAGE 45
 CITY OF CASEY

Drawing Title
LAYOUT PLAN
 (SHEET 1 OF 2)

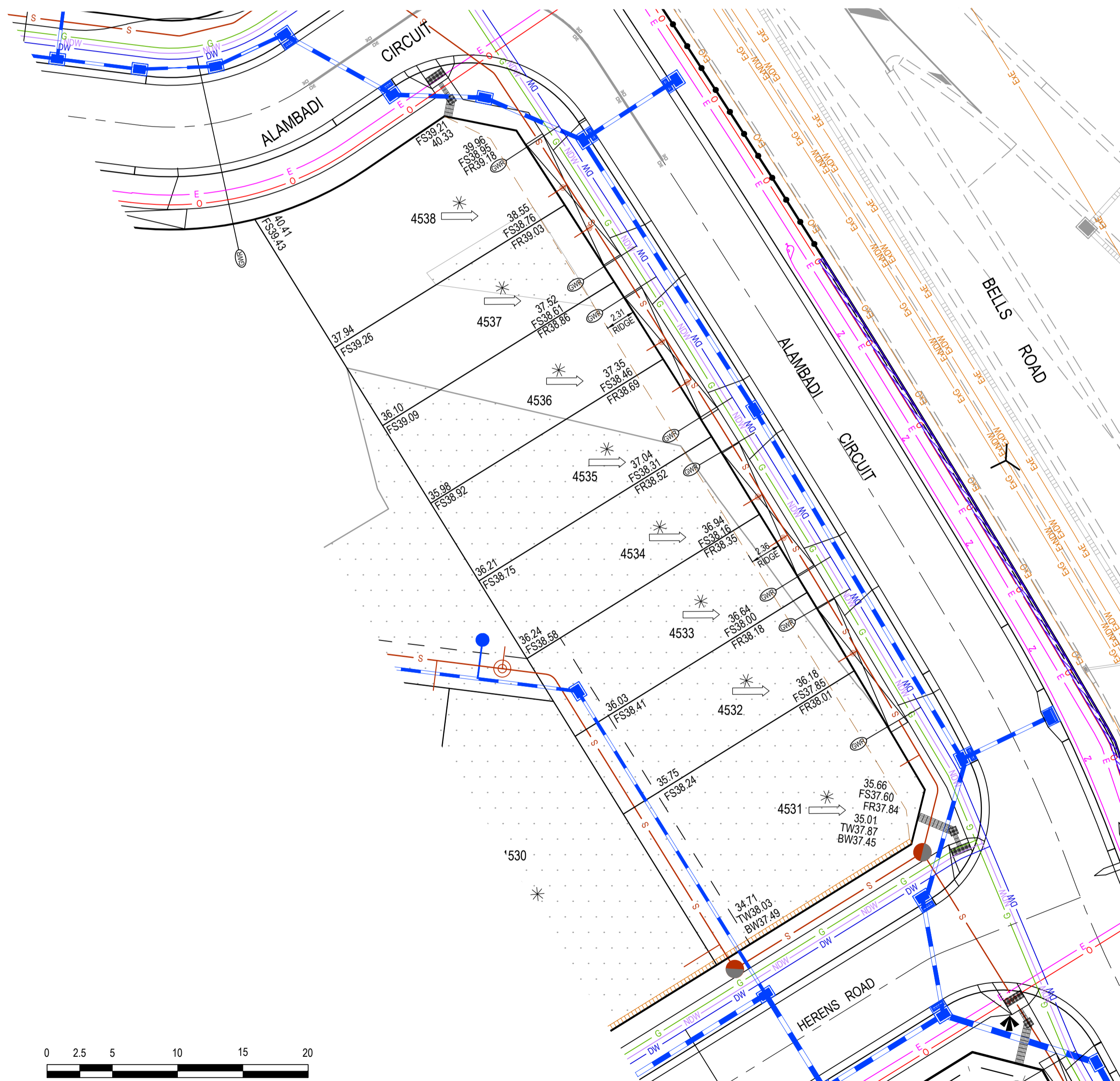
Sheet 04 of 22
 Scale: 1:500 @ A1

Project Ref	Stage No	Drawing No	Rev
1801767	45	010	B

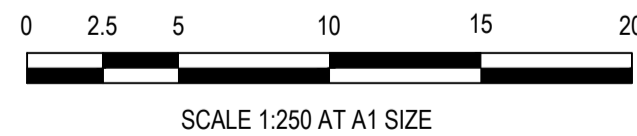
K:\Jobs Data\1801767 - Meridian_Eng\Stage 45\Drawings\1801767-45-010-LAY.dwg



INSERT FROM SHEET 010



INSERT FROM SHEET 010



LEGEND - LAYOUT PLAN

- STORMWATER DRAIN, PIT & PROPERTY INLET
- MELBOURNE WATER DRAIN & PIT
- SWALE DRAIN
- SEWER & MAINTENANCE STRUCTURES
- HOUSE DRAIN
- SERVICE CONDUITS
- TACTILE PAVERS (INDICATIVE ONLY)
- ELECTRICITY (UNDERGROUND)
- ELECTRICITY (OVERHEAD)
- OPTIC FIBRE
- TELECOMMUNICATIONS
- GAS
- WATER
- RECYCLED WATER
- EXISTING ELECTRICITY (UNDERGROUND)
- EXISTING ELECTRICITY (OVERHEAD)
- EXISTING GAS
- EXISTING OPTIC FIBRE
- EXISTING TELECOMMUNICATIONS
- EXISTING WATER
- EXISTING RECYCLED WATER
- EXISTING STORMWATER DRAIN
- EXISTING SEWER
- EXISTING HOUSE DRAIN
- EXISTING SWALE DRAIN
- EXISTING SURFACE LEVEL
- FINISHED BUILDING LINE LEVEL
- FINISHED RIDGE LINE LEVEL
- TOP OF RETAINING WALL
- BOTTOM OF RETAINING WALL
- RIDGE LINE
- MASS ROCK RETAINING WALL
- CONCRETE SLEEPER RETAINING WALL
- CONCRETE SLEEPER RETAINING WALL AS PER STRUCTURAL PLAN V22043-ST-0005
- ZERO LOT LINES
- PAVEMENT TREATMENT
- STRUCTURAL FILL 200mm DEEP
- PROPOSED CUT > 200mm DEEP
- DIRECTION OF FALL
- OVERLAND FLOW
- ALLOTMENT TO BE GRADED EVENLY IN
- DIRECTION OF FALL TO LEVELS INDICATED
- CONCRETE EDGE STRIP WITH SUBSOIL DRAIN
- "NO ROAD" SIGN & BARRIER
- LIMIT OF WORKS
- EXISTING TREE TO BE REMOVED
- PERMANENT SURVEY MARK
- TEMPORARY BENCH MARK
- PROPOSED DRIVEWAY
- TREE PROTECTION ZONE (TPZ)

SERVICE OFFSET TABLE

Location	Gas		ND - Water		Water		Electricity		Telecommunication		Sewer	
	Side	Offset (m)	Side	Offset (m)	Side	Offset (m)	Side	Offset (m)	Side	Offset (m)	Side	Offset (m)
ALAMBADI CIRCUIT (LOTS 4501-4505)	NORTH	2.10	NORTH	2.50	NORTH	2.95	SOUTH	1.35	SOUTH	0.45	NORTH	Ex1.00
ALAMBADI CIRCUIT (LOTS 4531-4538)	WEST	2.10	WEST	2.50	WEST	2.95	EAST	1.35	EAST	0.45	WEST	1.00
ALAMBADI CIRCUIT (LOTS 4544-4550)	NORTH	2.10	NORTH	2.50	NORTH	2.95	SOUTH	2.65	SOUTH	1.90	NORTH	1.00
ALAMBADI CIRCUIT (LOTS 4510-4515)	WEST	2.10	WEST	2.50	WEST	2.95	EAST	1.35	EAST	0.45	NORTH	1.00
HERENS ROAD	NORTH	2.10	NORTH	2.50	NORTH	2.95	SOUTH	2.40	SOUTH	1.90	NORTH	1.00

ROAD LAYOUT TABLE

Road Name	Reserve Width (m)	Road Width (m)			Kerb Type		Verge Width (m)	
		Lip to Lip	Inv to Inv	Back to Back	Nth/West	Sth/East	Nth/West	Sth/East
ALAMBADI CIRCUIT (LOTS 4501-4505)	14.50	6.40	7.30	7.60	600 B2	600 B2	4.50	2.70
ALAMBADI CIRCUIT (LOT 4544-4550)	16.00	6.40	7.30	7.60	600 B2	600 B2	4.50	4.20
ALAMBADI CIRCUIT (LOTS 4531-4538)	14.50	6.40	7.30	7.60	600 B2	600 B2	2.70	4.50
HERENS ROAD	16.00	6.40	7.30	7.60	600 B2	600 B2	4.50	4.20

WARNING! (NO GO ZONE)
 NO WORKS TO BE COMMENCED WITHIN THE EXISTING DESALINATION EASEMENT OR OVER THE EXISTING 220KV HV ELEC. 19000 DESAL PIPELINE & OPTIC CABLE WITHOUT PRIOR WRITTEN APPROVAL FROM DELWP AND AUSNET.

WARNING
BWARE OF UNDERGROUND SERVICES
 The locations of underground services are approximate only and their exact position should be proven on site.
 No guarantee is given that all existing services are shown. Locate all underground services before commencement of works.
DIAL 1100 BEFORE YOU DIG
 www.1100.com.au

ISSUED FOR CONSTRUCTION

REV	DESCRIPTION	DATE	DRN	APP.	REV	DESCRIPTION	DATE	DRN	APP.
A	ISSUED FOR CONSTRUCTION	06.06.23	M.F.	M.F.					



Designed C.DAWSON
 Date 22.12.2022
 Drawn L.SUTHERLAND
 Checked M.FELICIANO
 Date 12.10.2023
 Approved M.FELICIANO
 Reg. No. PE0005645
 Date 12.10.2023
 PS Number PS908401V

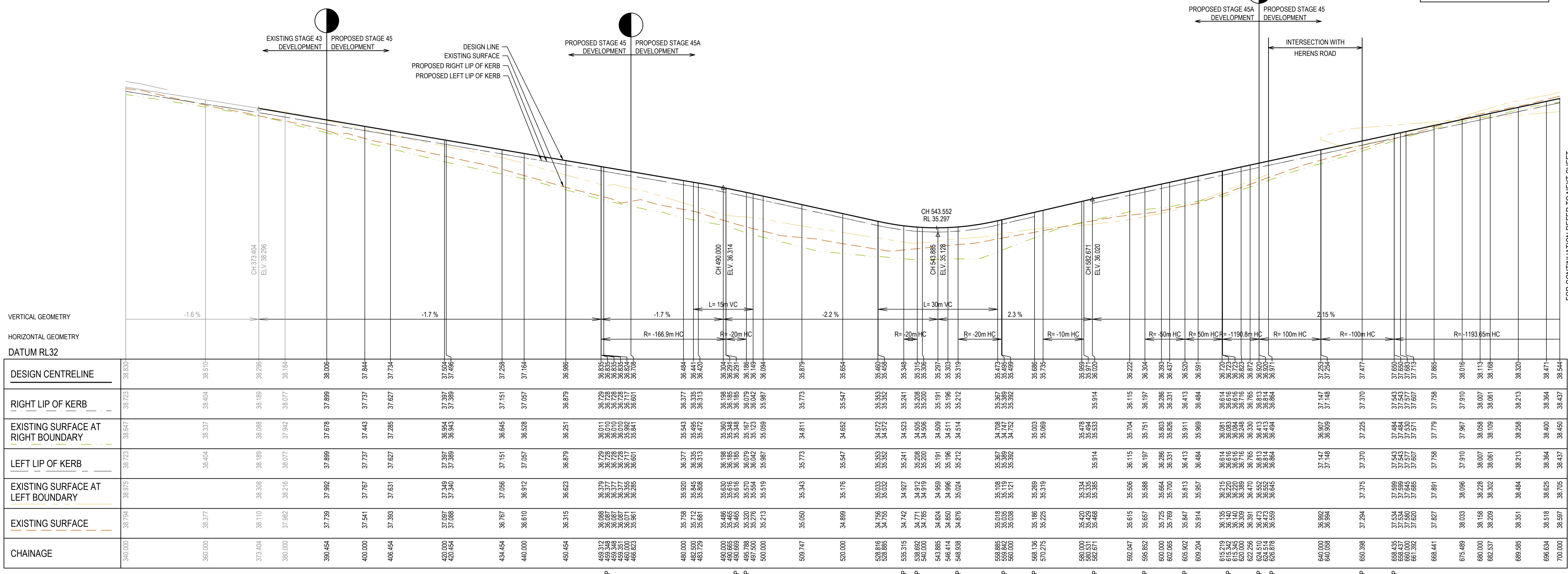


Project Details
 MERIDIAN CENTRAL ESTATE
 STAGE 45
 CITY OF CASEY
 Drawing Title
 LAYOUT PLAN
 (SHEET 2 OF 2)

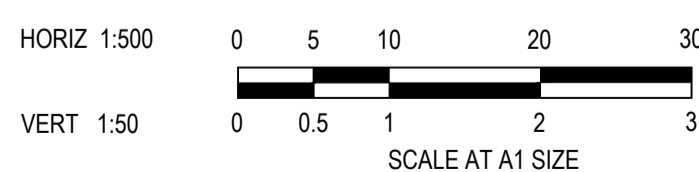
Sheet	05 of 22
Scale	1:250 @ A1
Project Ref	1801767
Stage No	45
Drawing No	011
Rev	A

K:\Jobs Data\1801767 - Meridian_Eng\Stage 45\Drawings\1801767-45-010-LAY.dwg

LEGEND	
	EXISTING SURFACE
	DESIGN LINE
	FUTURE DESIGN LINE
	EXISTING SURFACE AT RIGHT BOUNDARY
	RIGHT LIP OF KERB
	EXISTING SURFACE AT LEFT BOUNDARY
	LEFT LIP OF KERB



ALAMBADI STREET LONGITUDINAL SECTION



ISSUED FOR CONSTRUCTION

REV	DESCRIPTION	DATE	DRN	APP.	REV	DESCRIPTION	DATE	DRN	APP.
A	ISSUED FOR CONSTRUCTION	06.06.23	M.F	M.F					



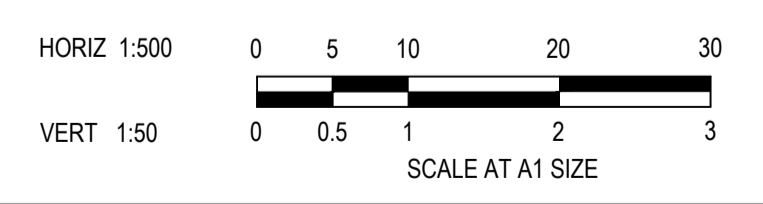
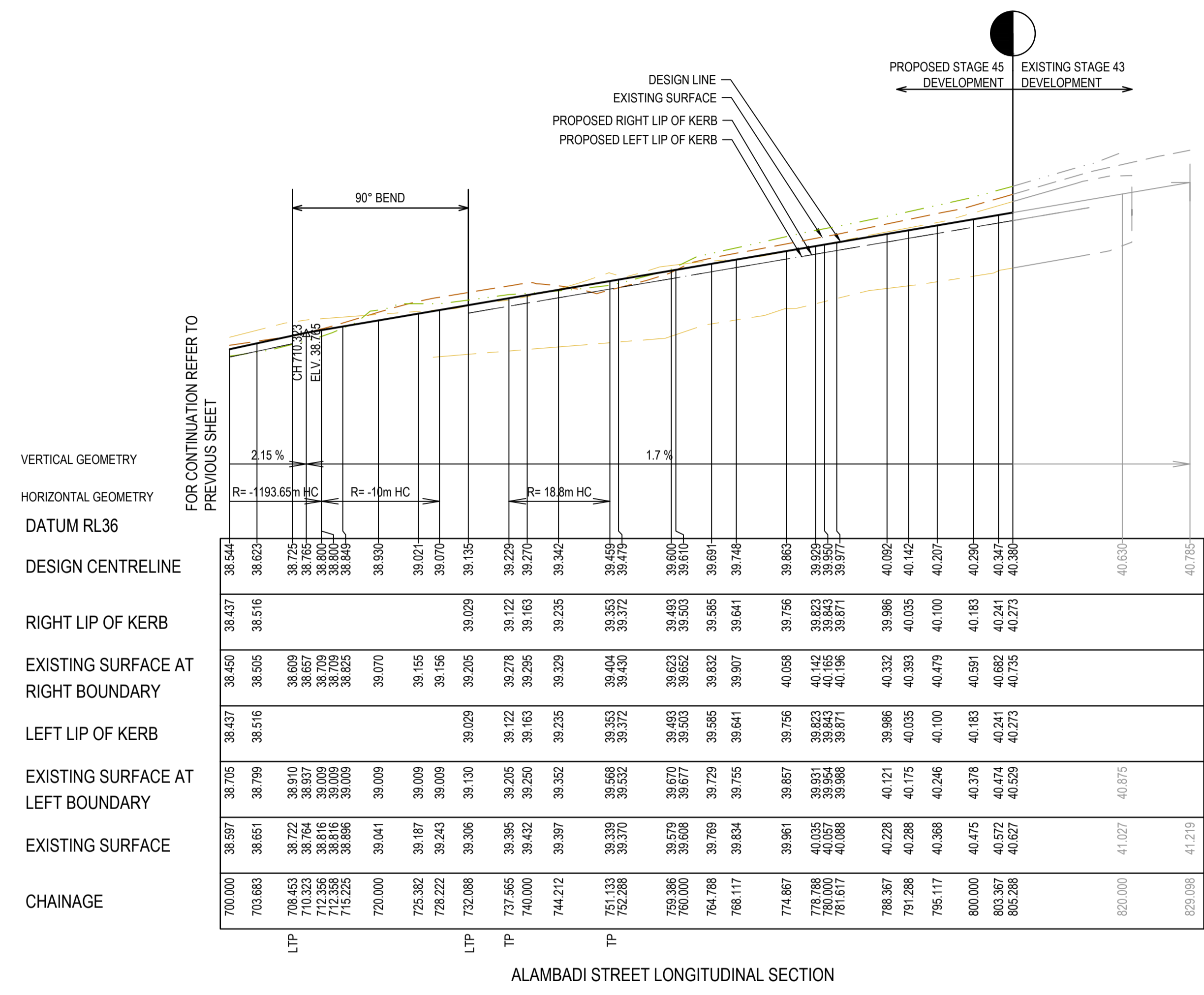
Designed	C.DAWSON	 Beveridge Williams Development & Infrastructure Consultants 1 Glenferrie Road Malvern VIC 3144 ph: 03 9524 8888 www.beveridgewilliams.com.au
Date	22.12.2022	
Drawn	L.SUTHERLAND	
Checked	M.FELICIANO	
Date	12.10.2023	
Approved	M.FELICIANO	
Reg. No.	PE0005645	
Date	12.10.2023	
PS Number	PS908401V	

Project Details	MERIDIAN CENTRAL ESTATE STAGE 45 CITY OF CASEY		
Drawing Title	ROAD LONGITUDINAL SECTIONS ALAMBADI CIRCUIT (SHEET 1 OF 2)		

Sheet	06 of 22
Scale	1:500 H 1:50 V @ A1
Project Ref	1801767
Stage No	45
Drawing No	100
Rev	A

K:\Jobs Data\1801767 - Meridian_Eng\Stage 45\Drawings\1801767-45-100-RLS.dwg

LEGEND	
	EXISTING SURFACE
	DESIGN LINE
	FUTURE DESIGN LINE
	EXISTING SURFACE AT RIGHT BOUNDARY
	RIGHT LIP OF KERB
	EXISTING SURFACE AT LEFT BOUNDARY
	LEFT LIP OF KERB



ISSUED FOR CONSTRUCTION

REV	DESCRIPTION	DATE	DRN	APP	REV	DESCRIPTION	DATE	DRN	APP
A	ISSUED FOR CONSTRUCTION	06.06.23	M.F	M.F					



Designed C.DAWSON
Date 22.12.2022
Drawn L.SUTHERLAND
Checked M.FELICIANO
Date 12.10.2023
Approved M.FELICIANO
Reg. No. PE0005645
Date 12.10.2023
PS Number PS908401V

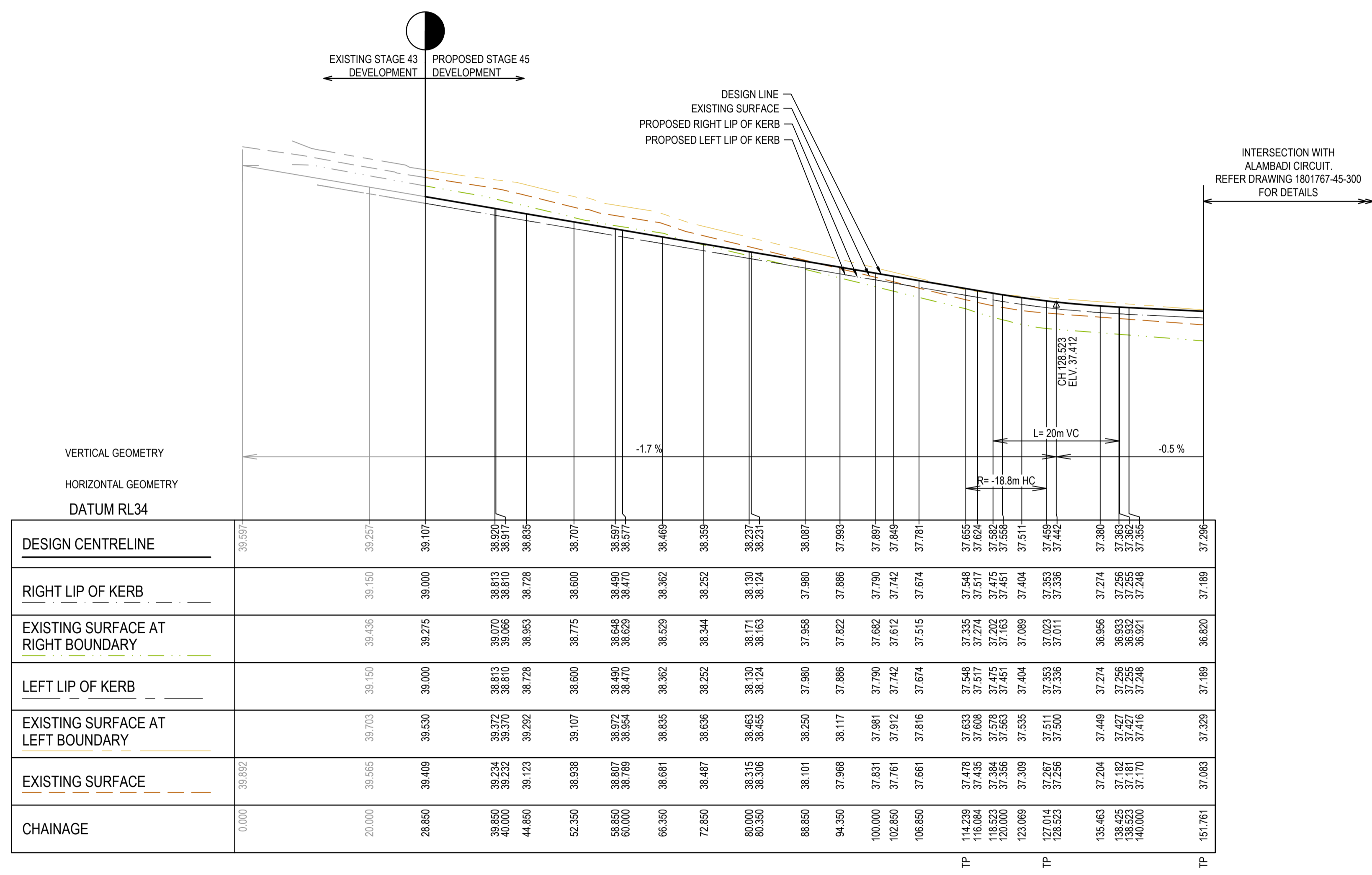
BW Beveridge Williams
Development & Infrastructure Consultants
1 Glenferrie Road
Malvern VIC 3144
ph: 03 9524 8888
www.beveridgewilliams.com.au

Project Details
MERIDIAN CENTRAL ESTATE
STAGE 45
CITY OF CASEY

Drawing Title
ROAD LONGITUDINAL SECTIONS
ALAMBADI CIRCUIT
(SHEET 2 OF 2)

Sheet	07 of 22
Scale	1:500 H 1:50 V @ A1
Project Ref	1801767
Stage No	45
Drawing No	101
Rev	A

LEGEND	
	EXISTING SURFACE
	DESIGN LINE
	FUTURE DESIGN LINE
	EXISTING SURFACE AT RIGHT BOUNDARY
	RIGHT LIP OF KERB
	EXISTING SURFACE AT LEFT BOUNDARY
	LEFT LIP OF KERB



HERENS ROAD LONGITUDINAL SECTION



ISSUED FOR CONSTRUCTION

REV	DESCRIPTION	DATE	DRN	APP	REV	DESCRIPTION	DATE	DRN	APP
A	ISSUED FOR CONSTRUCTION	06.06.23	M.F	M.F					



Designed: C.DAWSON
Date: 22.12.2022
Drawn: L.SUTHERLAND
Checked: M.FELICIANO
Date: 12.10.2023
Approved: M.FELICIANO
Reg. No: PE0005645
Date: 12.10.2023
PS Number: PS908401V

BW Beveridge Williams
Development & Infrastructure Consultants
1 Glenferrie Road
Malvern VIC 3144
ph: 03 9524 8888
www.beveridgewilliams.com.au

Project Details
MERIDIAN CENTRAL ESTATE
STAGE 45
CITY OF CASEY

Drawing Title
ROAD LONGITUDINAL SECTIONS
HERENS ROAD

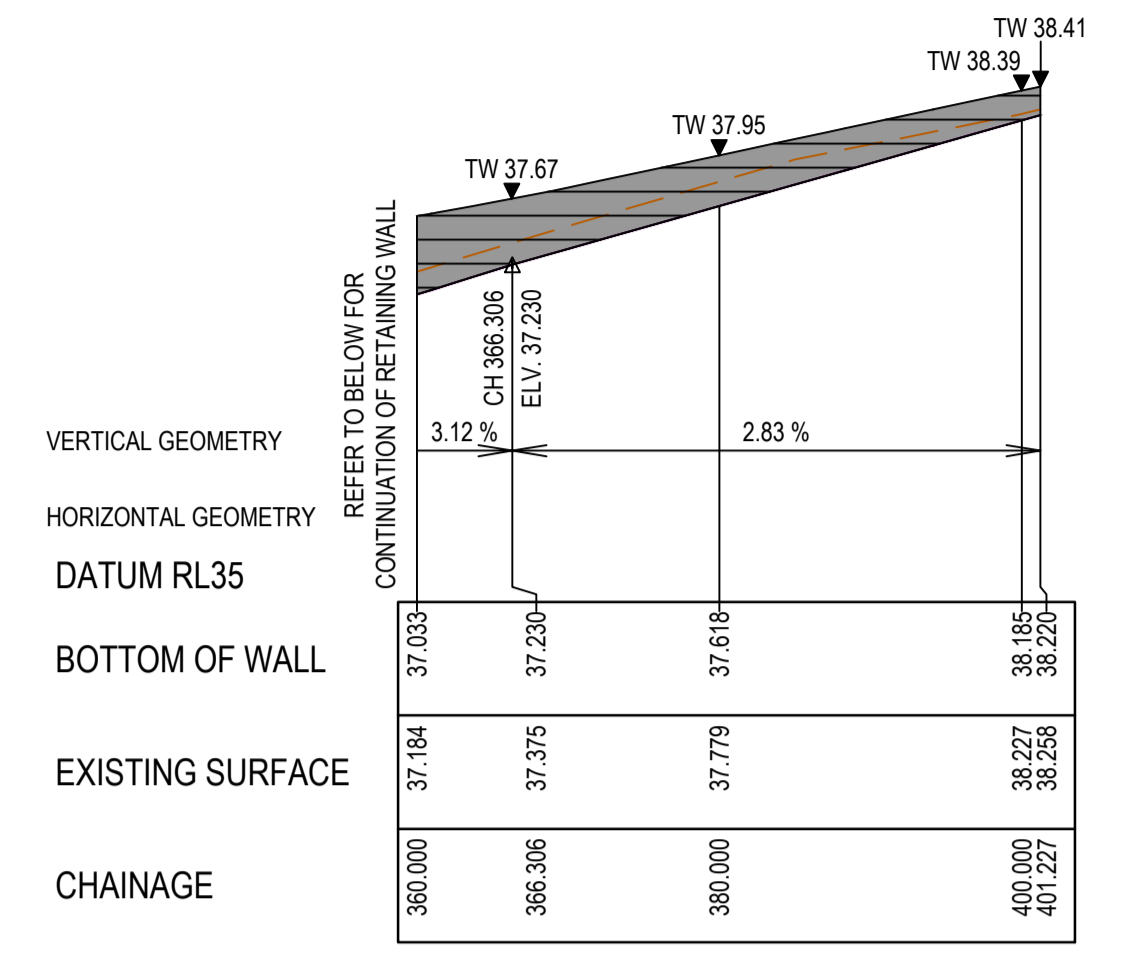
Sheet	08 of 22
Scale	1:500 H 1:100 V @ A1
Project Ref	1801767
Stage No	45
Drawing No	102
Rev	A

K:\Jobs Data\1801767 - Meridian_Eng\Stage 45\Drawings\1801767-45-100-RLS.dwg

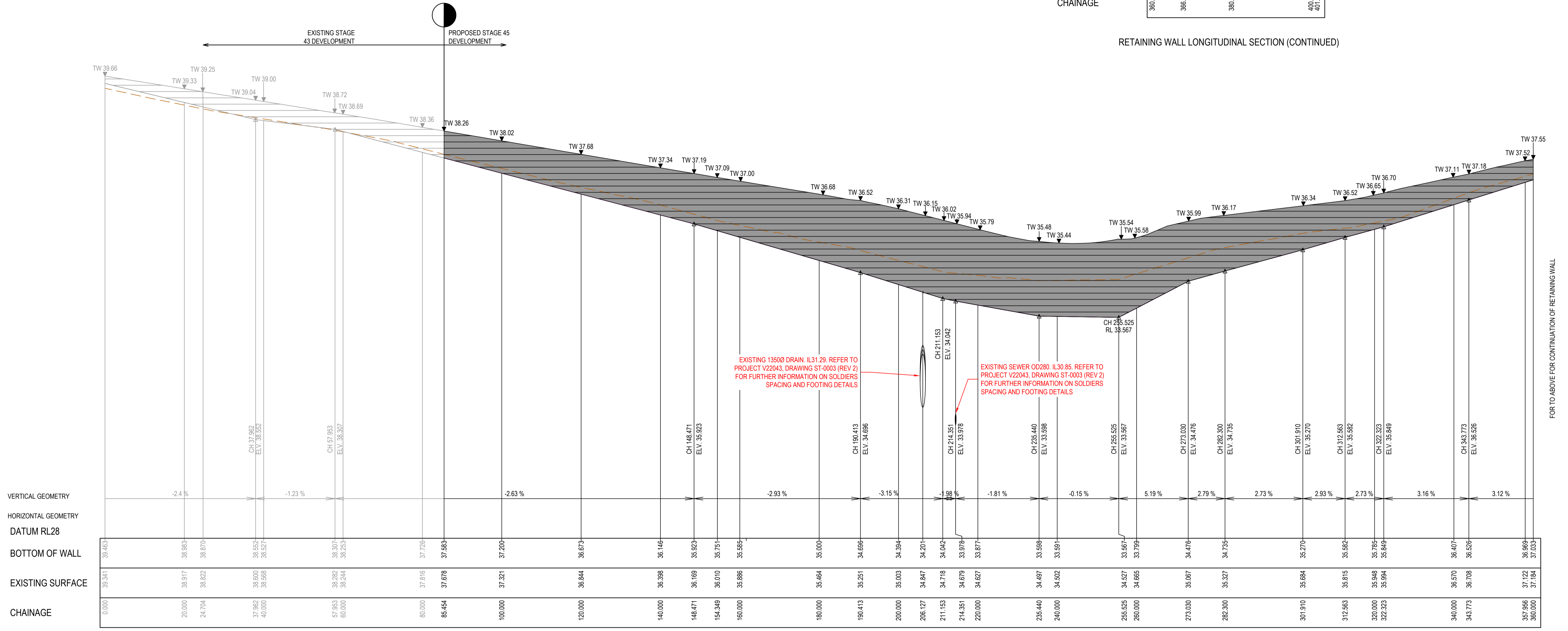
- NOTES:**
1. RETAINING WALL ADJACENT TO HARDYS/BELLS ROAD INTERSECTION REFER TO BG&E STRUCTURAL DRAWINGS "MERIDIAN CENTRAL WALL OVER SEWER PIPE" V22043 ST-0001 TO ST-0003
 2. PRIOR TO COMMENCEMENT OF ANY RETAINING WALL WORKS, CONTRACTOR TO CONFIRM LOCATION OF EXISTING OD280 PE SEWER AND EXISTING 13500 DRAINAGE AND MAINTAIN MINIMUM HORIZONTAL CLEARANCES IN ACCORDANCE TO V22043 ST-0003
 3. PRIOR TO COMMENCEMENT OF ANY RETAINING WALL WORKS, CONTRACTOR TO INFORM SEW PRIOR TO WORKS AND OBTAIN BUILD OVER APPROVAL FOR THE SEWER CROSSING
 4. HATCHED AREA SHOWS THE RETAINED HEIGHT

LEGEND

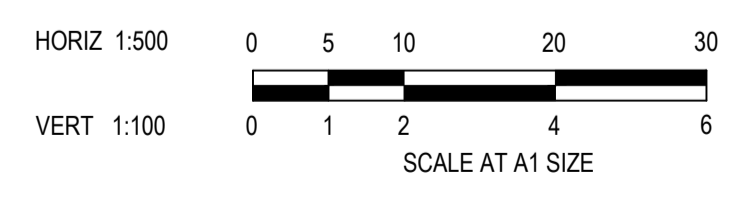
- EXISTING SURFACE
- DESIGN LINE
- FUTURE DESIGN LINE
- EXISTING SURFACE AT RIGHT BOUNDARY
- RIGHT LIP OF KERB
- EXISTING SURFACE AT LEFT BOUNDARY
- LEFT LIP OF KERB



RETAINING WALL LONGITUDINAL SECTION (CONTINUED)



RETAINING WALL LONGITUDINAL SECTION



ISSUED FOR CONSTRUCTION

© COPYRIGHT All rights reserved Beveridge Williams & Co. Pty Ltd has granted a licence to the principle to use this document for its intended purpose. No unauthorised copying is permitted					
A	ISSUED FOR CONSTRUCTION	06.06.23	M.F.	M.F.	
REV	DESCRIPTION	DATE	DRN.	APP.	REV



Designed: C.DAWSON
Date: 22.12.2022
Drawn: L.SUTHERLAND
Checked: M.FELICIANO
Date: 12.10.2023
Approved: M.FELICIANO
Reg. No.: PE0005645
Date: 12.10.2023
PS Number: PS90840TV

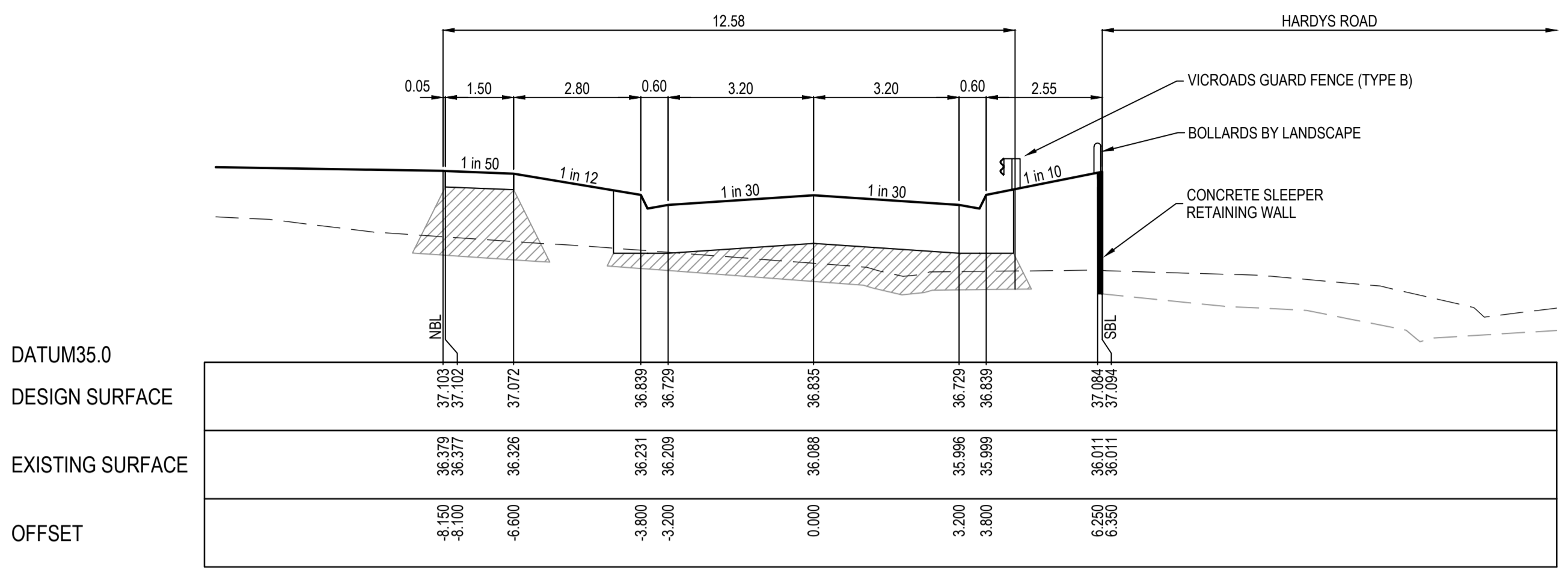
BW Beveridge Williams
Development & Infrastructure Consultants
1 Glenferrie Road
Malvern VIC 3144
ph: 03 9524 8888
www.beveridgewilliams.com.au

Project Details	MERIDIAN CENTRAL ESTATE STAGE 45 CITY OF CASEY
Drawing Title	ROAD LONGITUDINAL SECTIONS RETAINING WALL

Sheet	09 of 22
Scale	1:500 H 1:100 V @ A1
Project Ref	1801767
Stage No	45
Drawing No	103
Rev	A

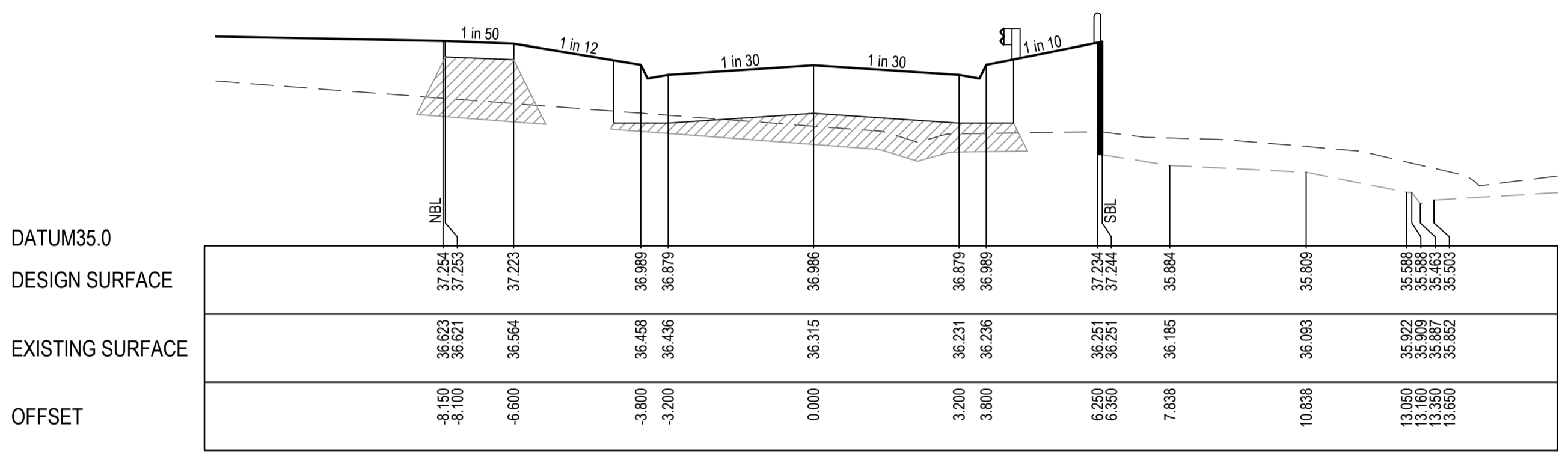
STRUCTURAL FILL REQUIRED UNDER PAVEMENT AND FOOTPATHS WHERE CONSTRUCTED ABOVE NATURAL SURFACE. REFER GEOTECH REPORT FOR SPECIFICATION

LEGEND	
	EXISTING SURFACE
	DESIGN SURFACE
	STRUCTURAL FILL



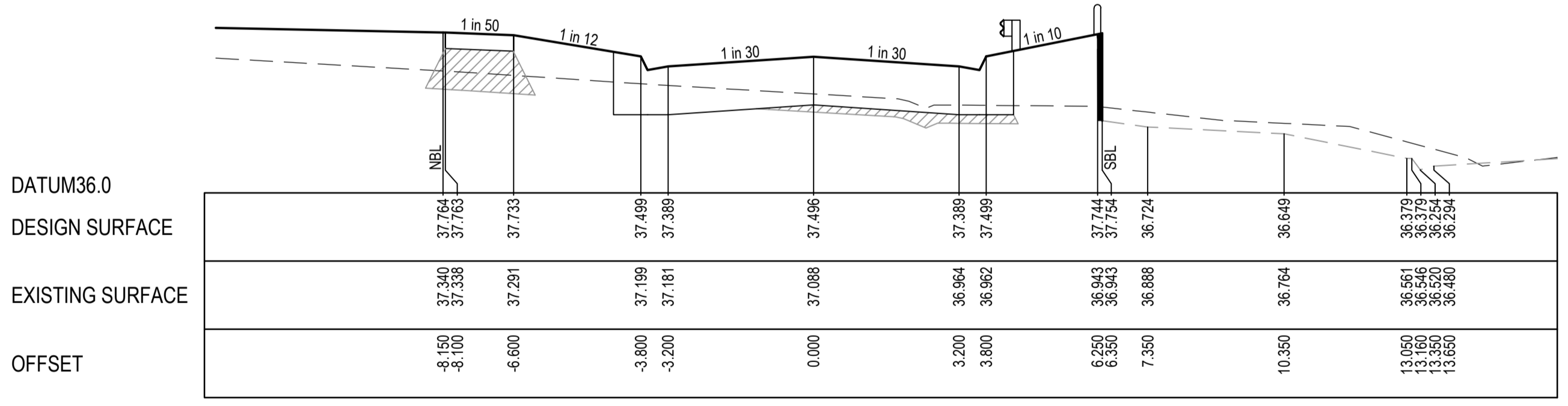
DATUM35.0										
DESIGN SURFACE		37.103	37.072	36.839	36.729	36.835	36.729	36.839	37.084	37.094
EXISTING SURFACE		36.379	36.377	36.326	36.231	36.209	36.209	35.996	35.999	36.011
OFFSET		-8.150	-8.100	-6.600	-3.800	-3.200	0.000	3.200	3.800	6.250

TPCH 459.312



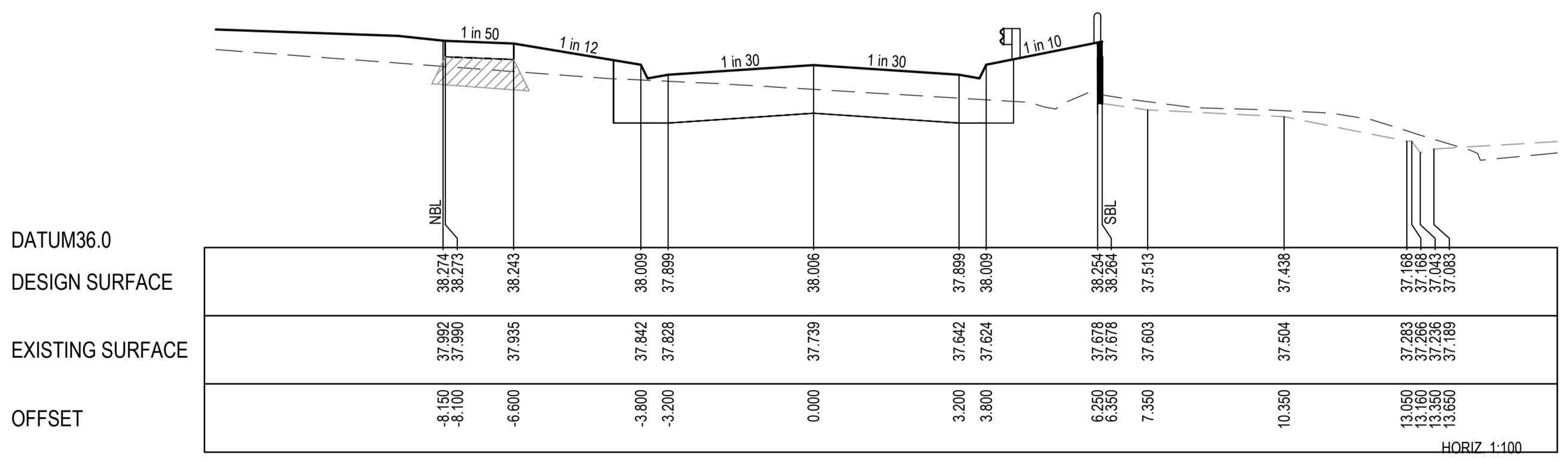
DATUM35.0										
DESIGN SURFACE		37.254	37.253	37.223	36.989	36.879	36.986	36.879	36.989	37.234
EXISTING SURFACE		36.623	36.621	36.564	36.458	36.436	36.315	36.231	36.236	36.251
OFFSET		-8.150	-8.100	-6.600	-3.800	-3.200	0.000	3.200	3.800	6.250

CH 450.454



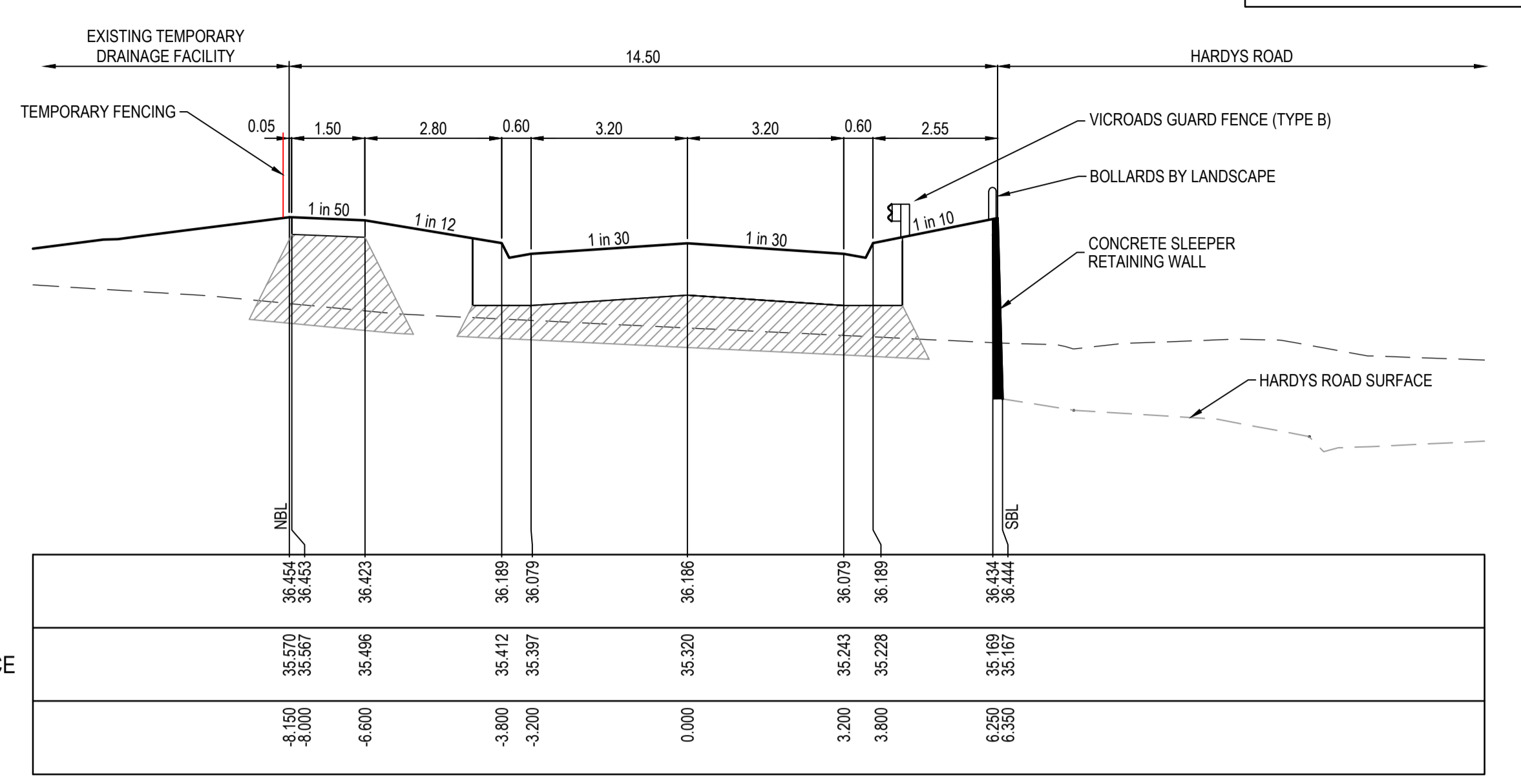
DATUM36.0										
DESIGN SURFACE		37.764	37.763	37.733	37.498	37.389	37.496	37.389	37.744	37.754
EXISTING SURFACE		37.340	37.338	37.291	37.199	37.181	37.088	36.964	36.962	36.943
OFFSET		-8.150	-8.100	-6.600	-3.800	-3.200	0.000	3.200	3.800	6.250

CH 420.454



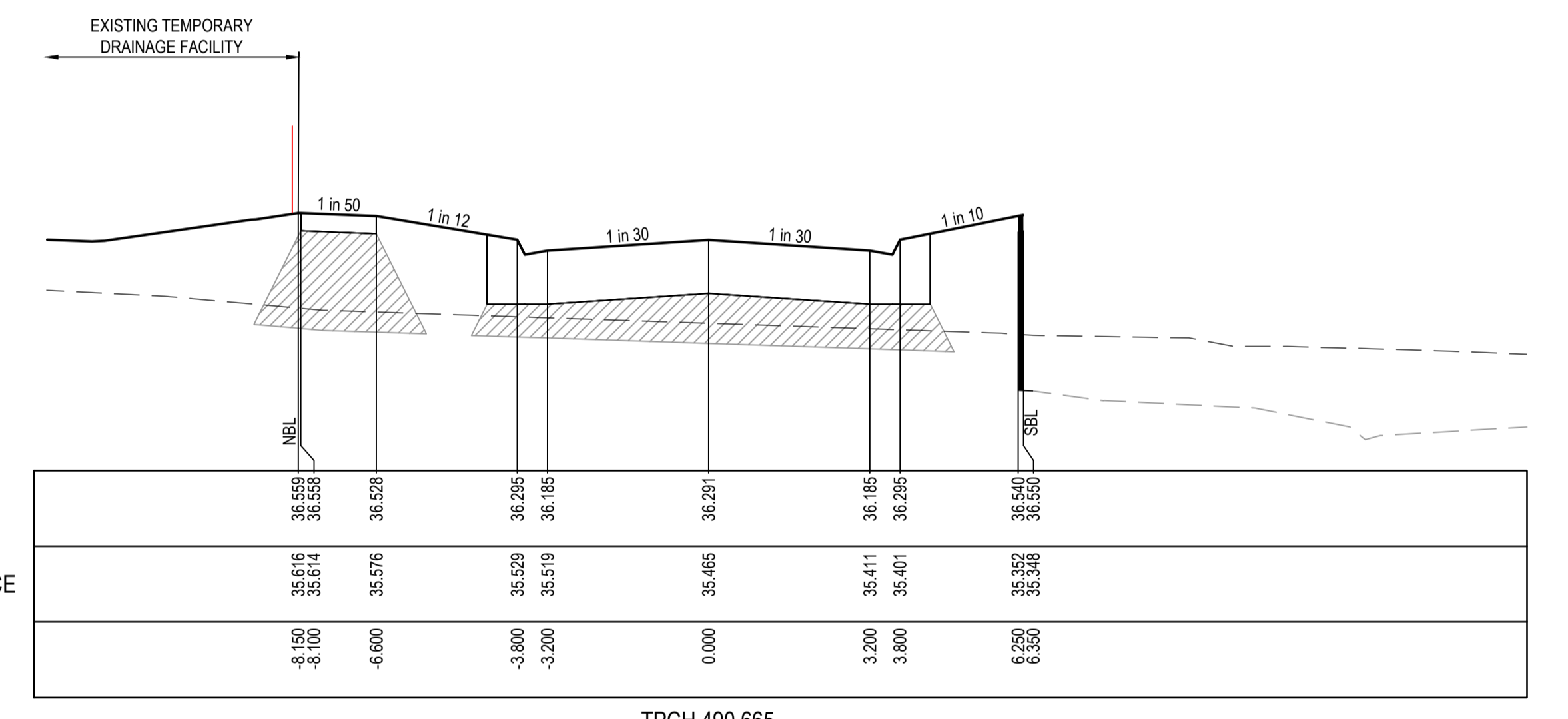
DATUM36.0										
DESIGN SURFACE		38.274	38.273	38.243	38.009	37.899	38.006	37.899	38.264	38.264
EXISTING SURFACE		37.992	37.990	37.935	37.842	37.828	37.739	37.642	37.624	37.603
OFFSET		-8.150	-8.100	-6.600	-3.800	-3.200	0.000	3.200	3.800	6.250

CH 390.454



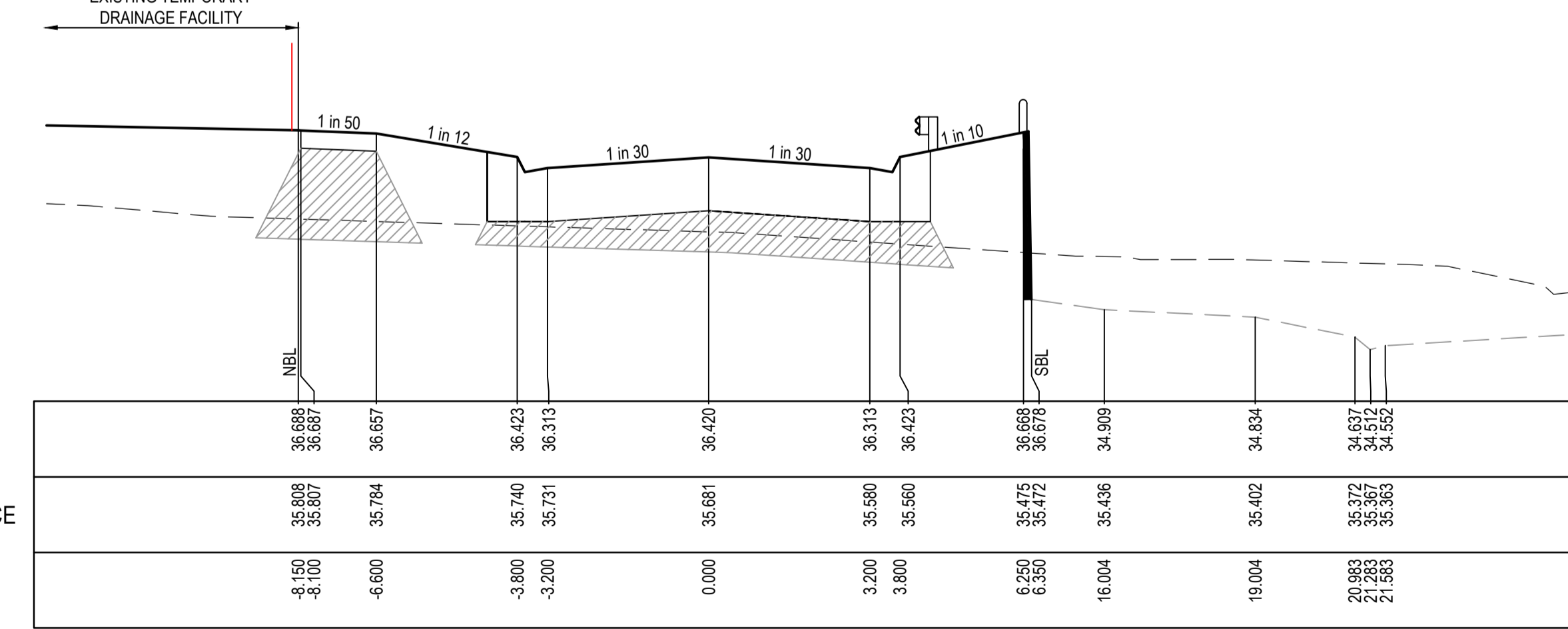
DATUM33.0										
DESIGN SURFACE		36.454	36.453	36.423	36.189	36.079	36.186	36.079	36.189	36.454
EXISTING SURFACE		35.570	35.567	35.496	35.412	35.397	35.320	35.243	35.228	35.089
OFFSET		-8.150	-8.000	-6.600	-3.800	-3.200	0.000	3.200	3.800	6.250

TPCH 495.788



DATUM34.0										
DESIGN SURFACE		36.593	36.593	36.528	36.295	36.185	36.291	36.185	36.295	36.540
EXISTING SURFACE		35.616	35.614	35.576	35.529	35.519	35.465	35.411	35.401	35.362
OFFSET		-8.150	-8.100	-6.600	-3.800	-3.200	0.000	3.200	3.800	6.250

TPCH 490.665



DATUM34.0										
DESIGN SURFACE		36.688	36.687	36.657	36.423	36.313	36.420	36.313	36.423	36.688
EXISTING SURFACE		35.808	35.807	35.784	35.740	35.721	35.681	35.580	35.580	35.475
OFFSET		-8.150	-8.100	-6.600	-3.800	-3.200	0.000	3.200	3.800	6.250

CH 483.729

ISSUED FOR CONSTRUCTION

© COPYRIGHT All rights reserved. Beveridge Williams & Co. Pty Ltd has granted a licence to the principle to use this document for its intended purpose. No unauthorised copying is permitted.									
REV	DESCRIPTION	DATE	DRN	APP	REV	DESCRIPTION	DATE	DRN	APP
A	ISSUED FOR CONSTRUCTION	06.06.23	M.F.	M.F.					



Designed: C.DAWSON
 Date: 22.12.2022
 Drawn: L.SUTHERLAND
 Checked: M.FELICIANO
 Date: 12.10.2023
 Approved: M.FELICIANO
 Reg. No.: PE0005645
 Date: 12.10.2023
 PS Number: PSS06401V

BW Beveridge Williams
 Development & Infrastructure Consultants
 1 Glenferrie Road
 Malvern VIC 3144
 ph: 03 9524 8888
 www.beveridgewilliams.com.au

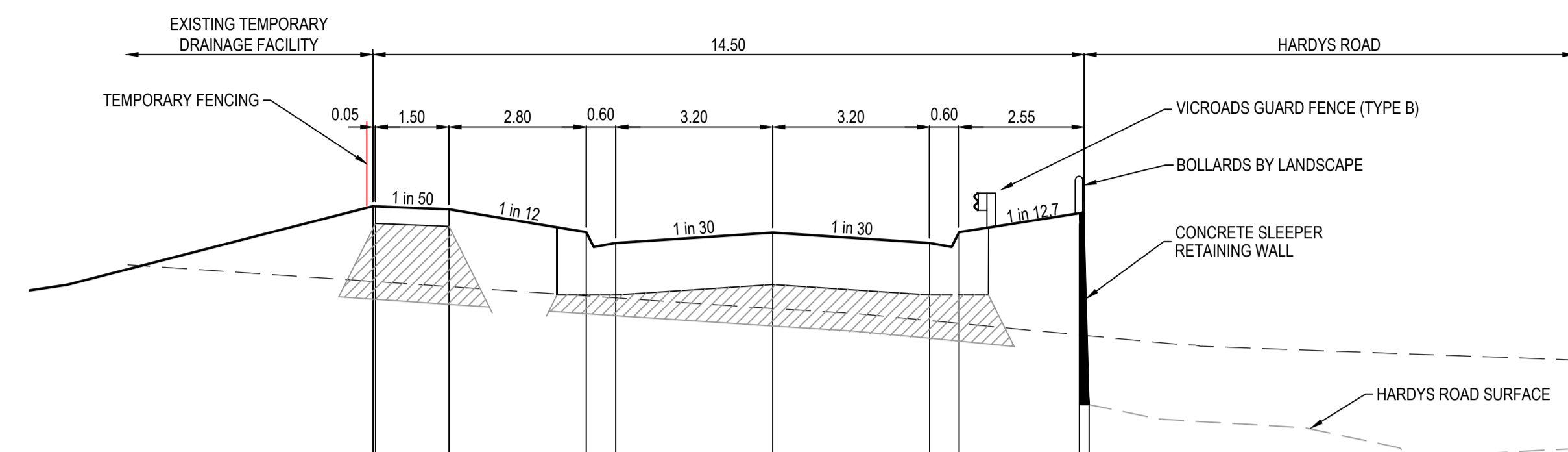
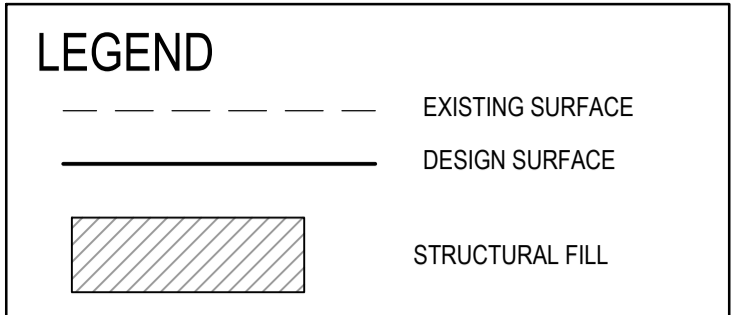
Project Details
MERIDIAN CENTRAL ESTATE
 STAGE 45
 CITY OF CASEY

Drawing Title
ROAD CROSS SECTIONS
 ALAMBADI CIRCUIT
 (SHEET 1 OF 5)

Sheet	10 of 22
Scale	1:100 H 1:50 V @ A1
Project Ref	1801767
Stage No	45
Drawing No	200
Rev	A

K:\Jobs Data\1801767 - Meridian_Eng\Stage 45\Drawings\1801767-45-200-RXS.dwg

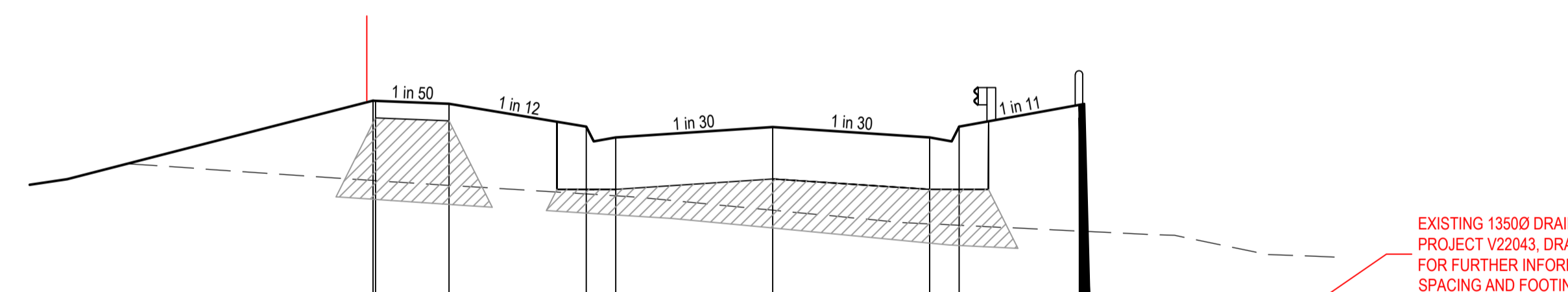
STRUCTURAL FILL REQUIRED UNDER PAVEMENT AND FOOTPATHS WHERE CONSTRUCTED ABOVE NATURAL SURFACE. REFER GEOTECH REPORT FOR SPECIFICATION



EXISTING SEWER OD280, IL30.85. REFER TO PROJECT V22043, DRAWING ST-003 (REV 2) FOR FURTHER INFORMATION ON SOLDIERS SPACING AND FOOTING DETAILS

DATUM30.0									
DESIGN SURFACE	35.998	35.998	35.968	35.735	35.625	35.732	35.625	35.735	35.996
EXISTING SURFACE	35.234	35.232	35.181	35.086	35.605	34.969	34.835	34.806	34.884
OFFSET	-8.150	-8.100	-6.600	-3.800	-3.200	0.000	3.200	3.800	6.350

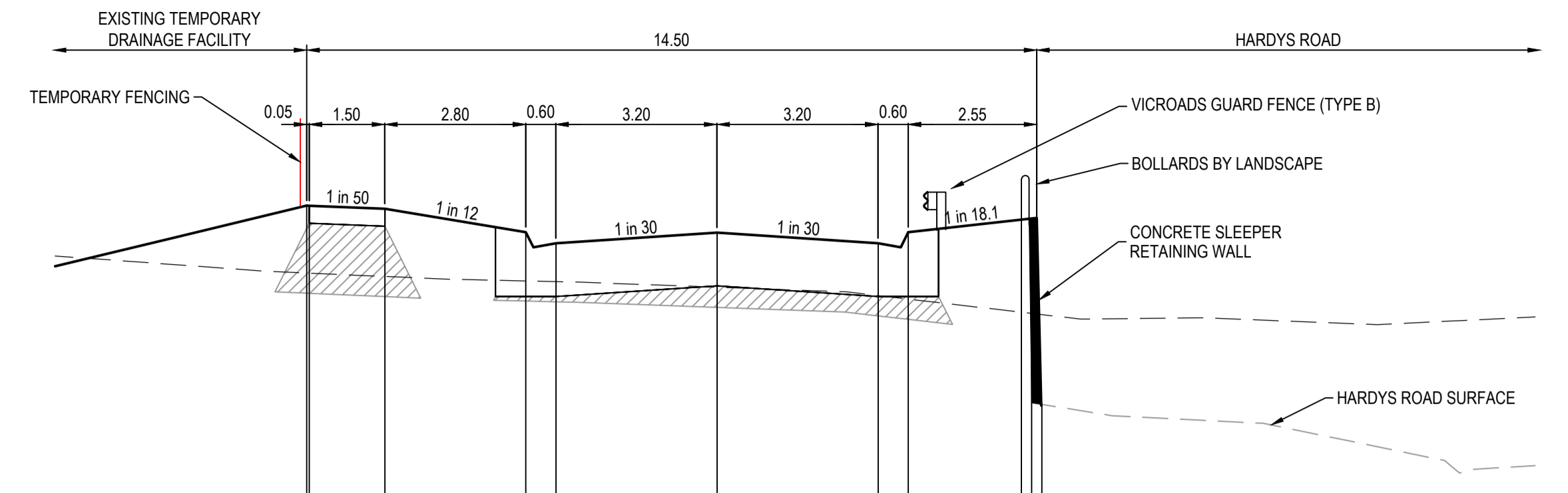
CH 516.465



EXISTING 13500 DRAIN, IL31.29. REFER TO PROJECT V22043, DRAWING ST-003 (REV 2) FOR FURTHER INFORMATION ON SOLDIERS SPACING AND FOOTING DETAILS

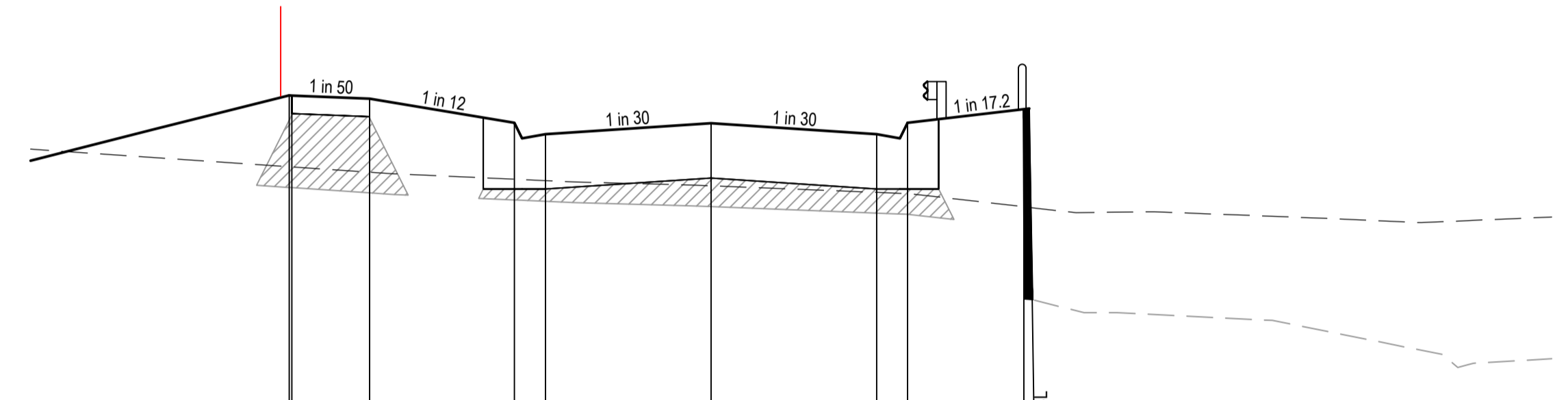
DATUM30.0									
DESIGN SURFACE	36.180	36.179	36.149	35.916	35.806	35.912	35.806	36.147	36.180
EXISTING SURFACE	35.367	35.366	35.317	35.230	35.212	35.064	34.925	34.849	34.847
OFFSET	-8.150	-8.100	-6.600	-3.800	-3.200	0.000	3.200	3.800	6.350

CH 508.241



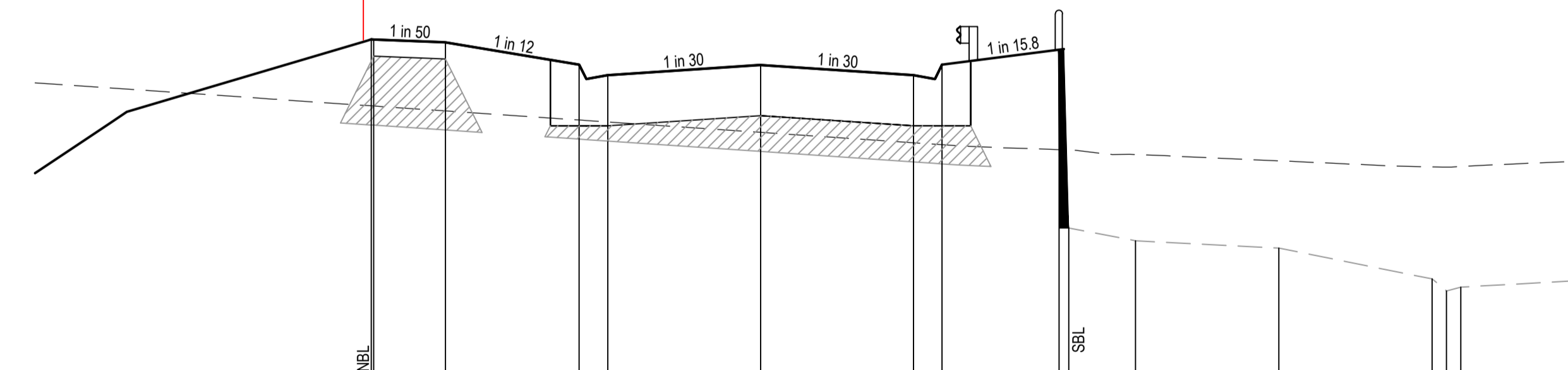
DATUM32.0									
DESIGN SURFACE	35.552	35.551	35.551	35.318	35.208	35.315	35.208	35.318	35.453
EXISTING SURFACE	34.912	34.911	34.878	34.833	34.827	34.771	34.688	34.653	34.511
OFFSET	-8.150	-8.100	-6.600	-3.800	-3.200	0.000	3.200	3.800	6.250

TPCH 538.692



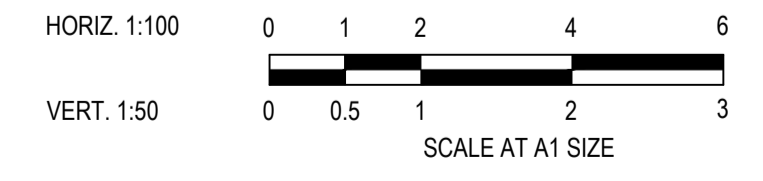
DATUM32.0									
DESIGN SURFACE	35.616	35.615	35.585	35.351	35.241	35.348	35.241	35.351	35.493
EXISTING SURFACE	34.927	34.925	34.874	34.806	34.793	34.742	34.679	34.668	34.574
OFFSET	-8.150	-8.100	-6.600	-3.800	-3.200	0.000	3.200	3.800	6.350

TPCH 535.315



DATUM32.0									
DESIGN SURFACE	35.728	35.727	35.697	35.463	35.353	35.460	35.353	35.463	35.625
EXISTING SURFACE	35.033	35.031	34.980	34.885	34.865	34.756	34.647	34.627	34.572
OFFSET	-8.150	-8.100	-6.600	-3.800	-3.200	0.000	3.200	3.800	6.350

CH 528.816



ISSUED FOR CONSTRUCTION

© COPYRIGHT All rights reserved. Beveridge Williams & Co. Pty Ltd has granted a licence to the principle to use this document for its intended purpose. No unauthorised copying is permitted.					
REV	DESCRIPTION	DATE	DRN.	APP.	REV.
A	ISSUED FOR CONSTRUCTION	06.06.23	M.F.	M.F.	



Designed: C.DAWSON
 Date: 22.12.2022
 Drawn: L.SUTHERLAND
 Checked: M.FELICIANO
 Date: 12.10.2023
 Approved: M.FELICIANO
 Reg. No.: PE0005645
 Date: 12.10.2023
 PS Number: PS90840TV

BW Beveridge Williams
 Development & Infrastructure Consultants
 1 Glenferrie Road
 Malvern VIC 3144
 ph: 03 9524 8888
 www.beveridgewilliams.com.au

Project Details
MERIDIAN CENTRAL ESTATE
 STAGE 45
 CITY OF CASEY

Drawing Title
ROAD CROSS SECTIONS
 ALAMBADI CIRCUIT
 (SHEET 2 OF 5)

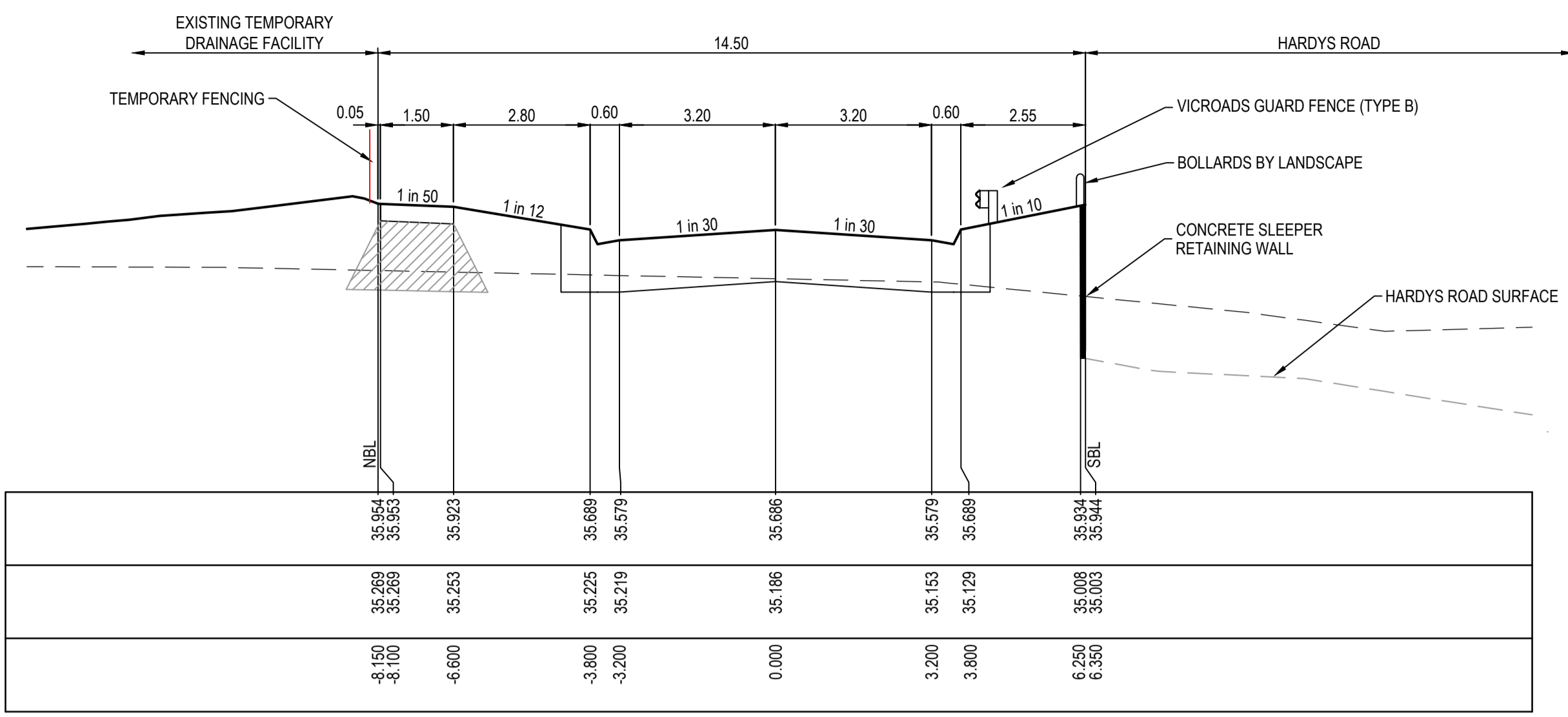
Sheet	11 of 22
Scale	1:100 H 1:50 V @ A1
Project Ref	1801767
Stage No	45
Drawing No	201
Rev	A

K:\Jobs Data\1801767 - Meridian_Eng\Stage 45\Drawings\1801767-45-200-RXS.dwg

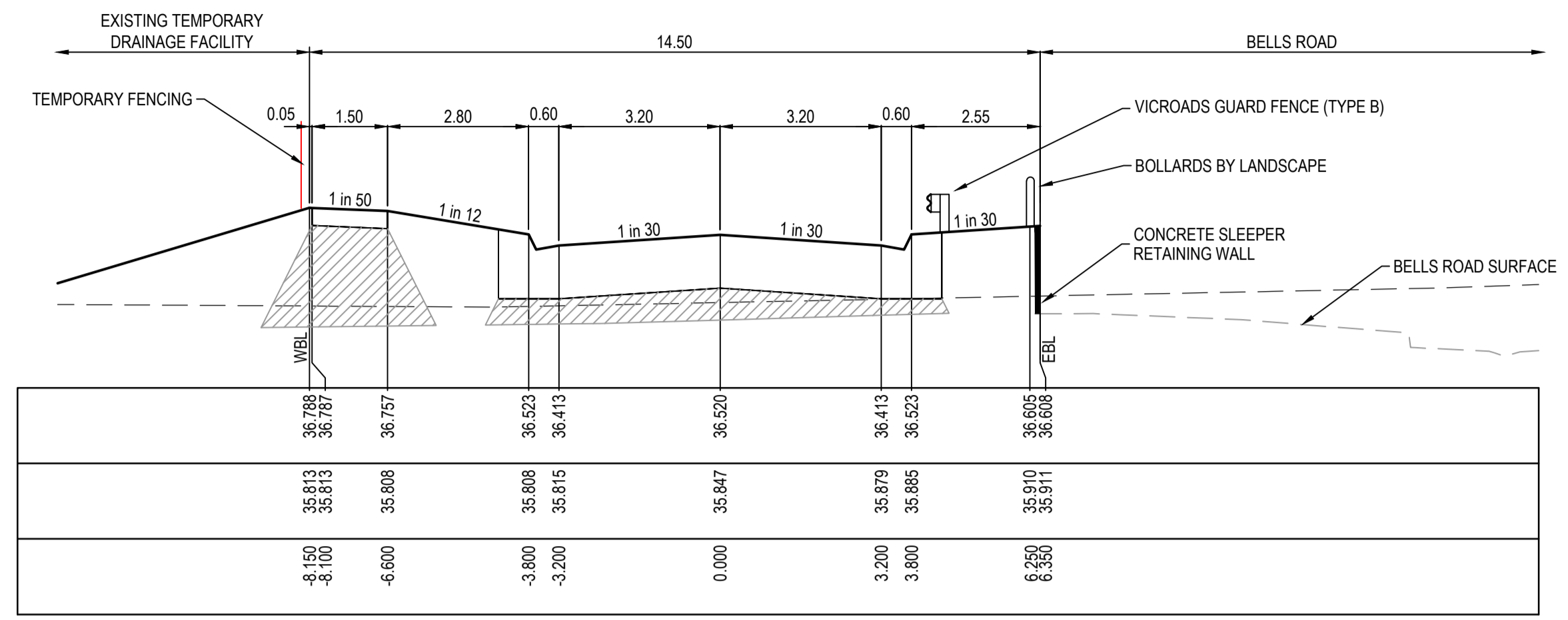
LEGEND

- EXISTING SURFACE
- DESIGN SURFACE
- ▨ STRUCTURAL FILL

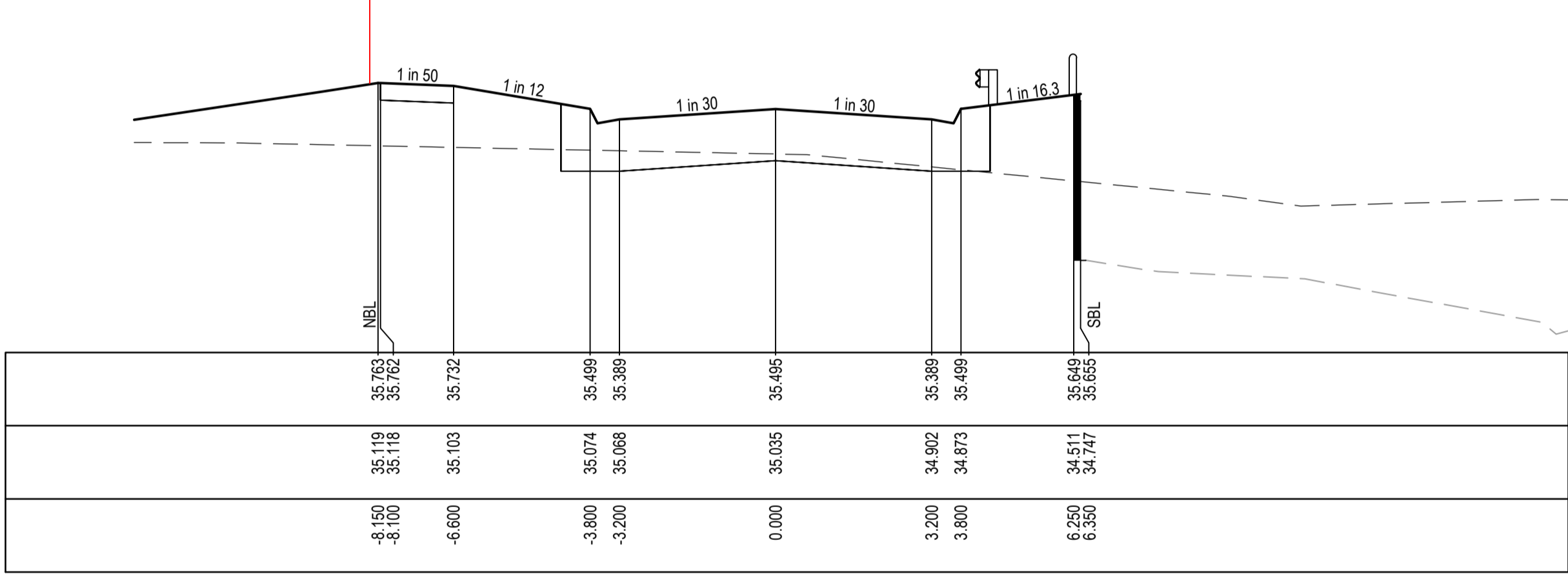
STRUCTURAL FILL REQUIRED UNDER PAVEMENT AND FOOTPATHS WHERE CONSTRUCTED ABOVE NATURAL SURFACE. REFER GEOTECH REPORT FOR SPECIFICATION



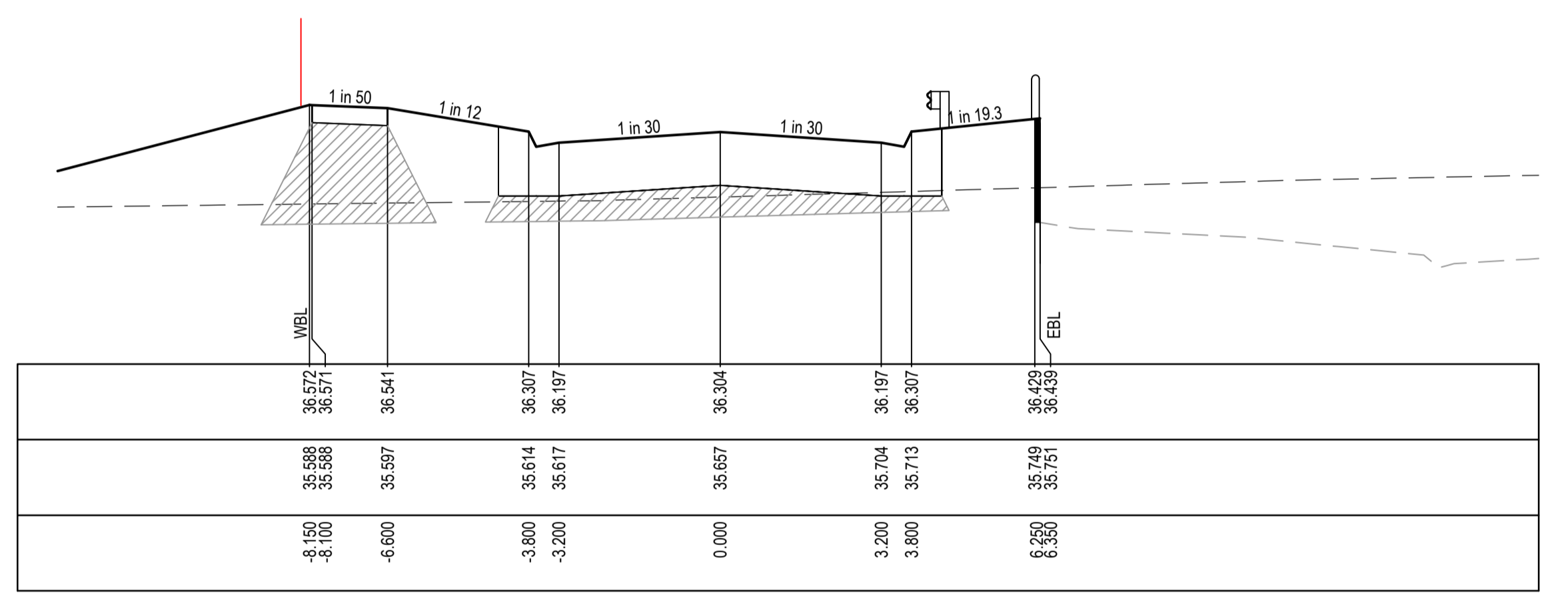
TPCH 568.136



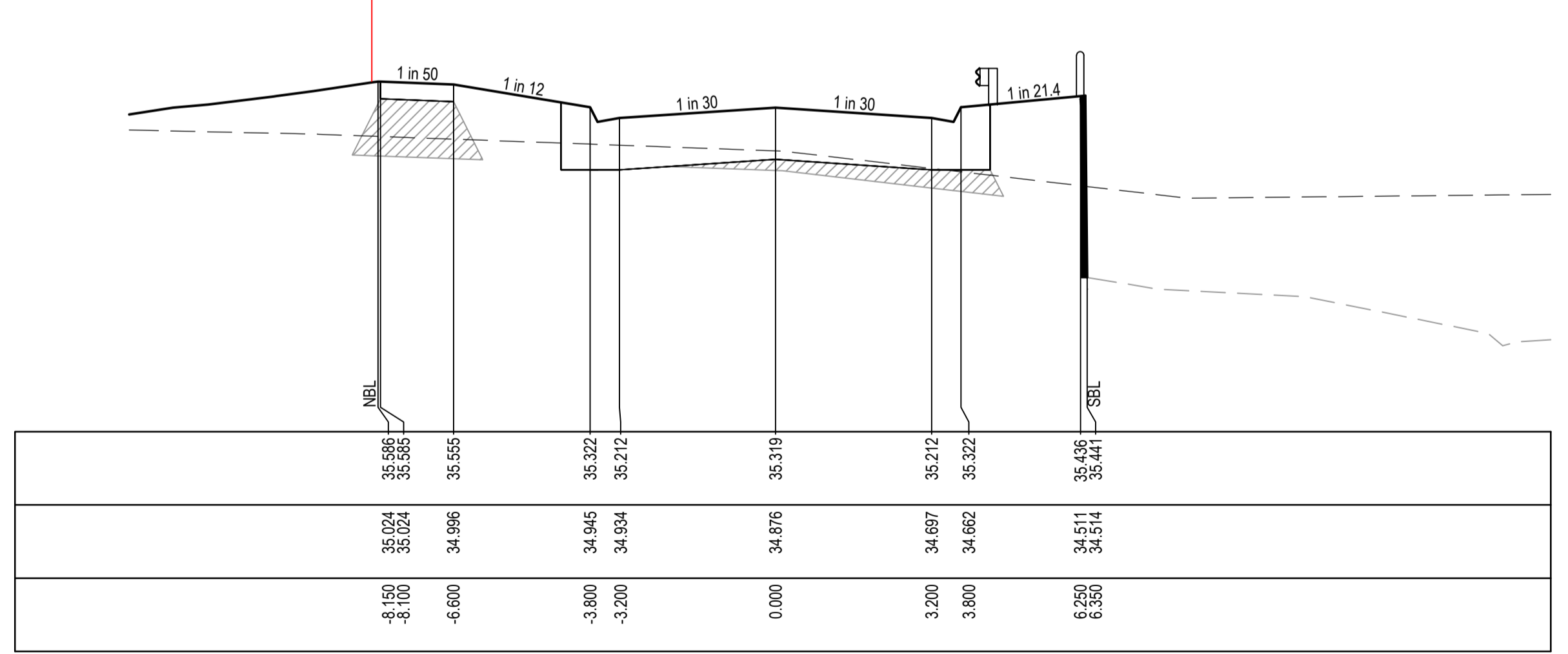
TPCH 605.902



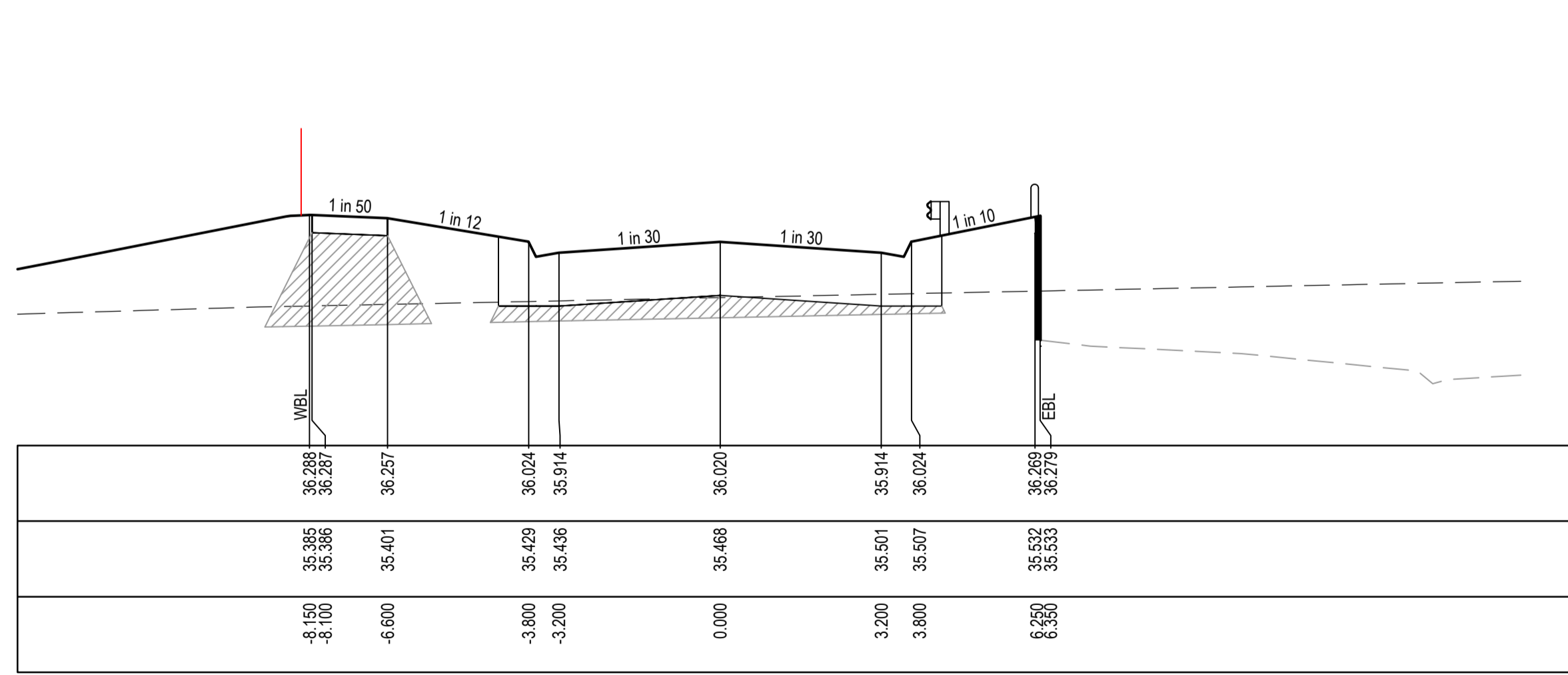
TPCH 559.842



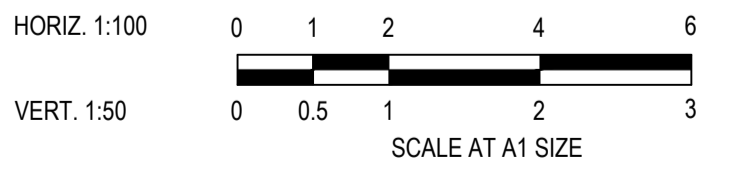
TPCH 595.852



TPCH 548.938



TPCH 582.671



ISSUED FOR CONSTRUCTION

REV	DESCRIPTION	DATE	DRN.	APP.	REV	DESCRIPTION	DATE	DRN.	APP.
A	ISSUED FOR CONSTRUCTION	06.06.23	M.F.	M.F.					



Designed: C.DAWSON
Date: 22.12.2022
Drawn: L.SUTHERLAND
Checked: M.FELICIANO
Date: 12.10.2023
Approved: M.FELICIANO
Reg. No.: PE0005645
Date: 12.10.2023
PS Number: PS90840TV

BW Beveridge Williams
Development & Infrastructure Consultants
1 Glenferrie Road
Malvern VIC 3144
ph: 03 9524 8888
www.beveridgewilliams.com.au

Project Details
MERIDIAN CENTRAL ESTATE
STAGE 45
CITY OF CASEY

Drawing Title
ROAD CROSS SECTIONS
ALAMBADI CIRCUIT
(SHEET 3 OF 5)

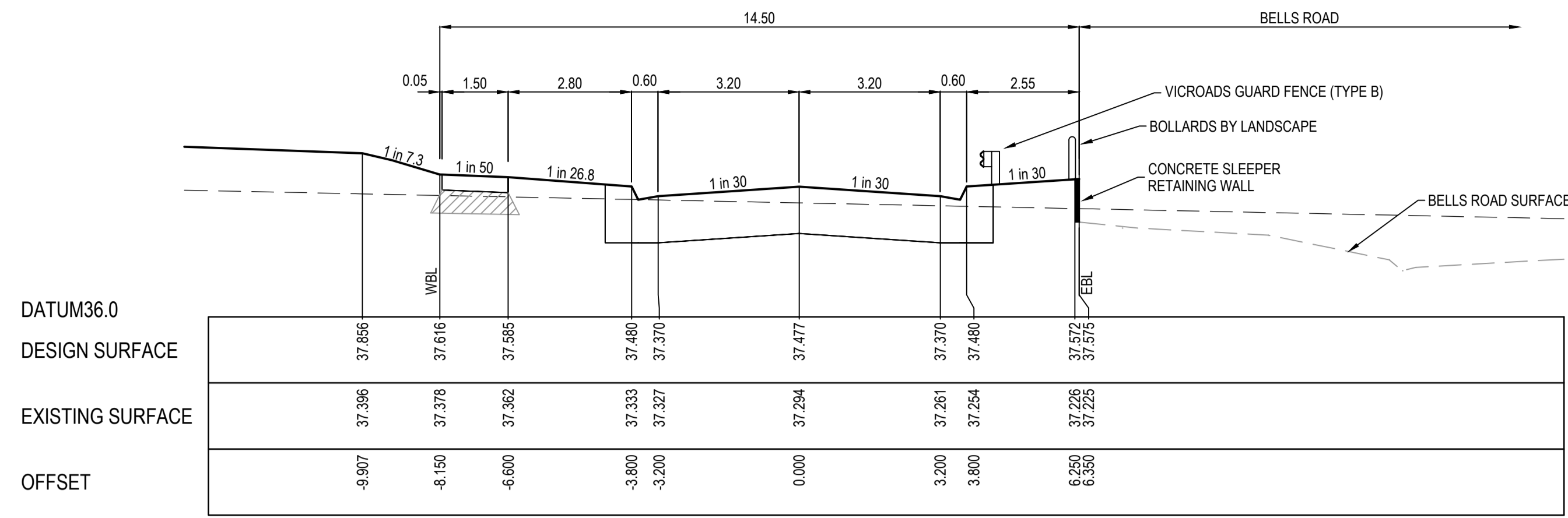
Sheet	12 of 22
Scale	1:100 H 1:50 V @ A1
Project Ref	1801767
Stage No	45
Drawing No	202
Rev	A

K:\Jobs Data\1801767 - Meridian_Eng\Stage 45\Drawings\1801767-45-200-RXS.dwg

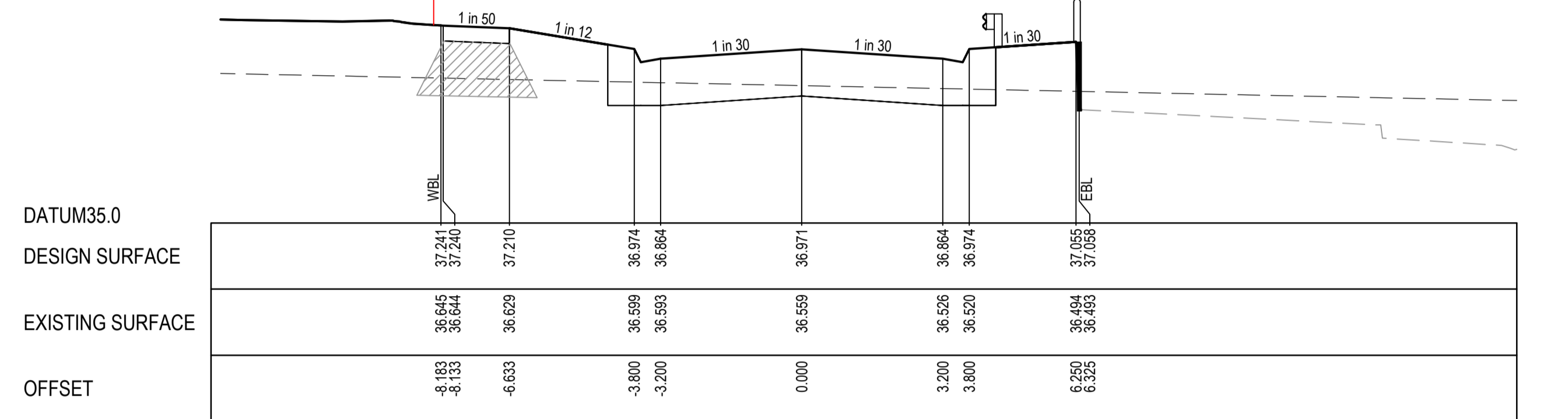
STRUCTURAL FILL REQUIRED UNDER PAVEMENT AND FOOTPATHS WHERE CONSTRUCTED ABOVE NATURAL SURFACE. REFER GEOTECH REPORT FOR SPECIFICATION

LEGEND

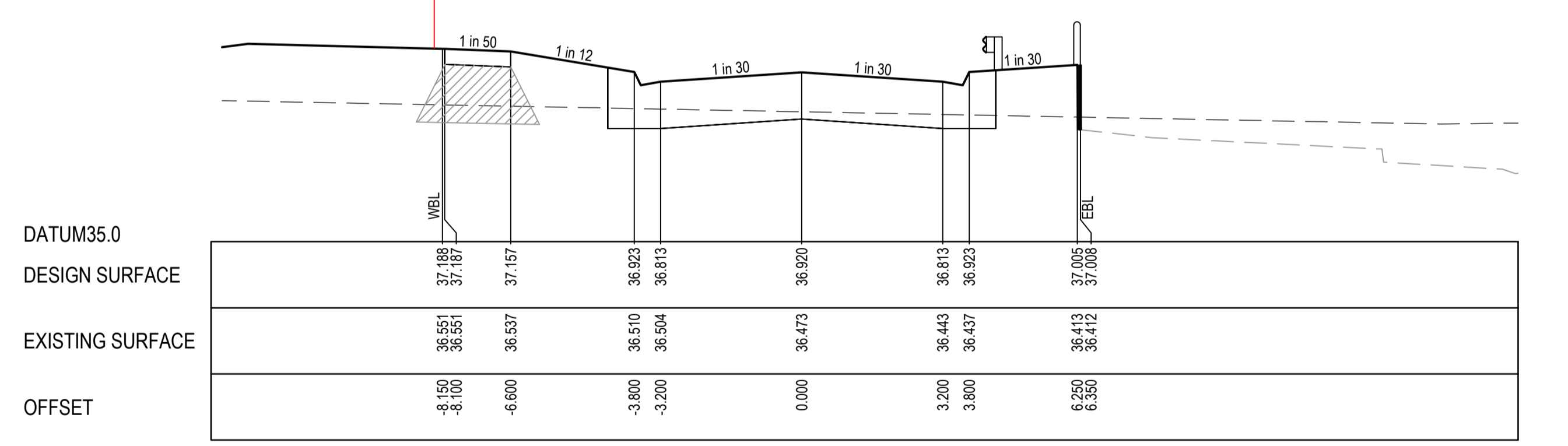
- EXISTING SURFACE
- DESIGN SURFACE
- ▨ STRUCTURAL FILL



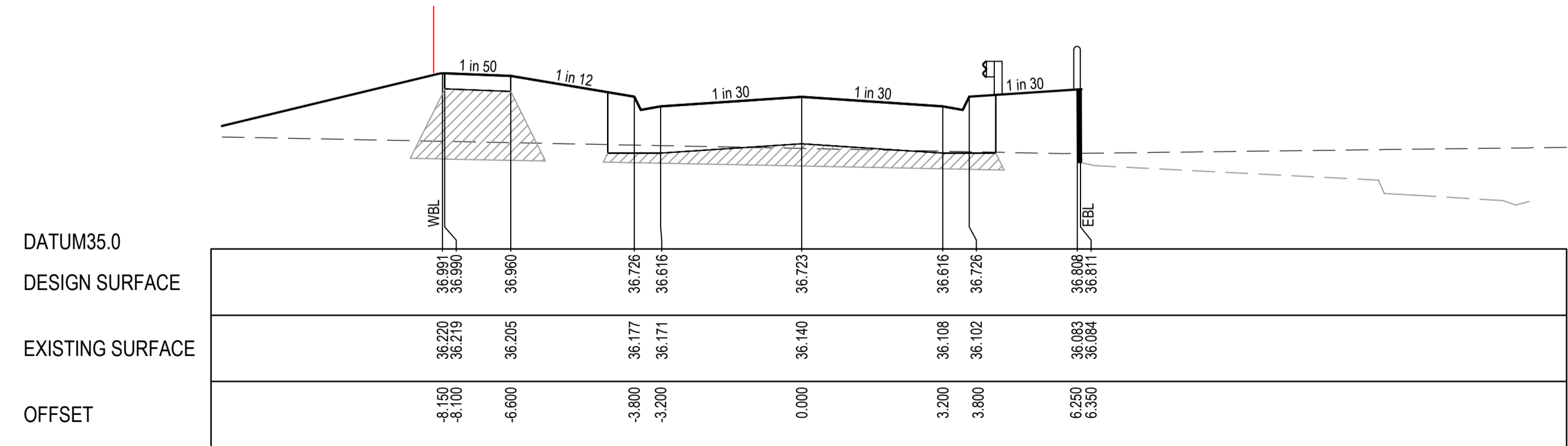
LTPCH 650.398



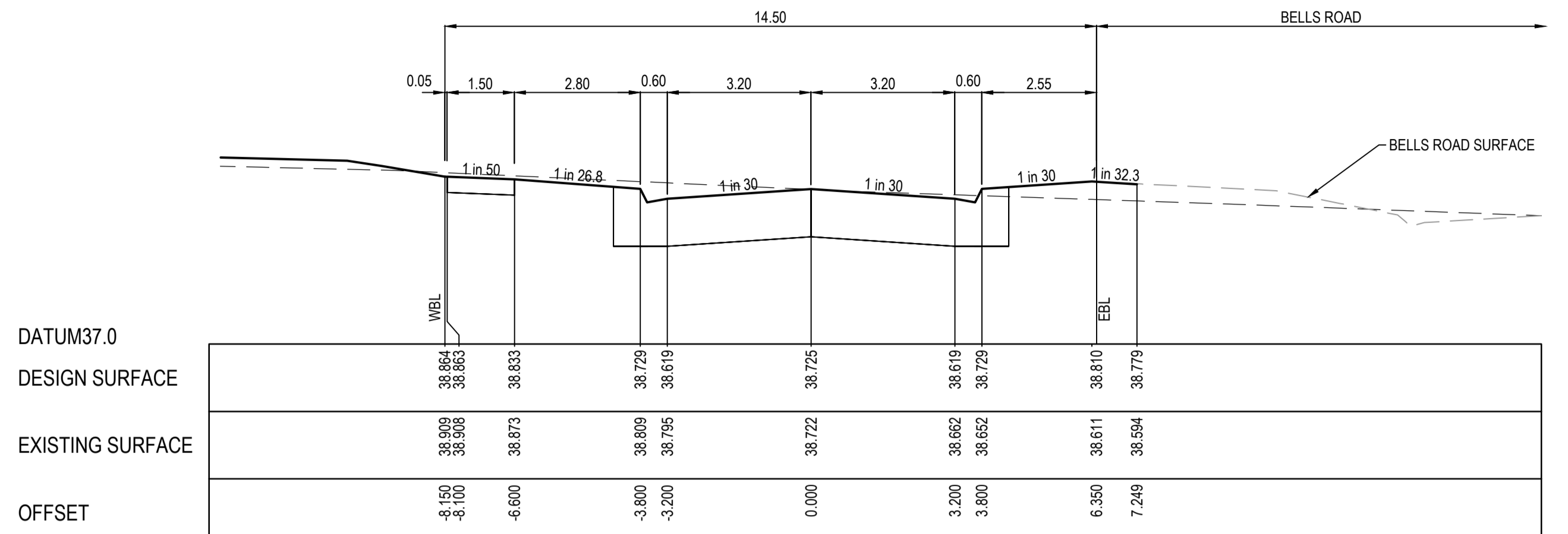
LTPCH 626.878



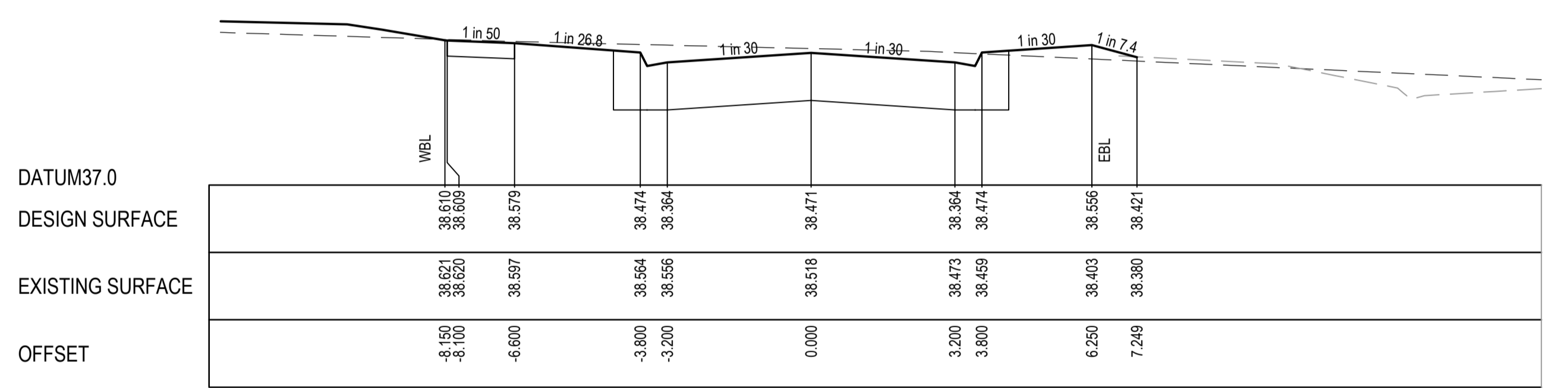
TPCB 624.510



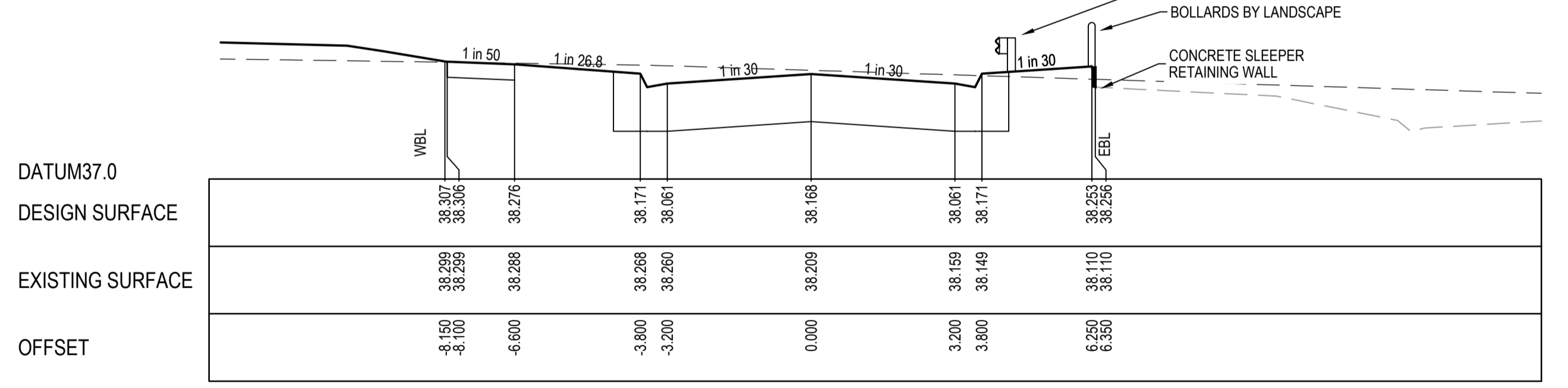
TPCB 615.342



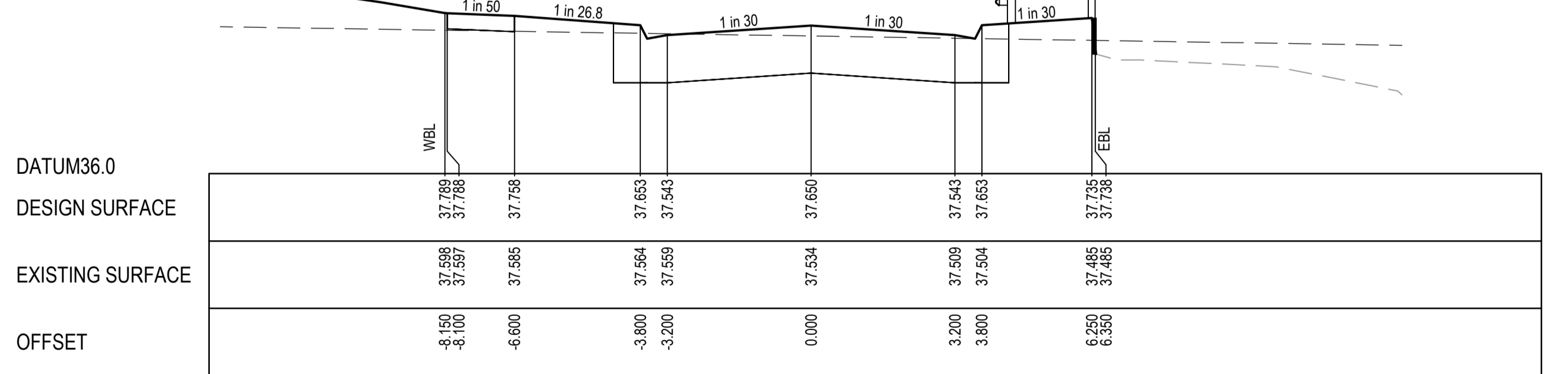
TPCB 708.453



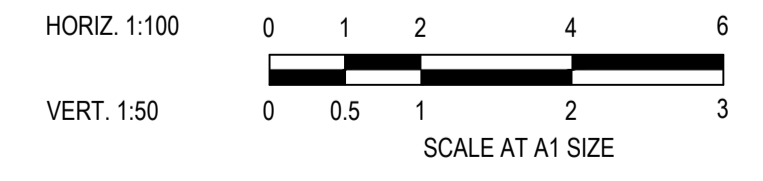
CH 696.634



CH 682.537



TPCB 658.435



ISSUED FOR CONSTRUCTION

© COPYRIGHT All rights reserved Beveridge Williams & Co. Pty Ltd has granted a licence to the principle to use this document for its intended purpose. No unauthorised copying is permitted					
A	ISSUED FOR CONSTRUCTION	06.06.23	M.F.	M.F.	
REV	DESCRIPTION	DATE	DRN.	APP.	REV



Designed: C.DAWSON
Date: 22.12.2022
Drawn: L.SUTHERLAND
Checked: M.FELICIANO
Date: 12.10.2023
Approved: M.FELICIANO
Reg. No. PE0005645
Date: 12.10.2023
PS Number: PS908401V

BW Beveridge Williams
Development & Infrastructure Consultants
1 Glenferrie Road
Malvern VIC 3144
ph: 03 9524 8888
www.beveridgewilliams.com.au

Project Details
MERIDIAN CENTRAL ESTATE
STAGE 45
CITY OF CASEY

Drawing Title
ROAD CROSS SECTIONS
ALAMBADI CIRCUIT
(SHEET 4 OF 5)

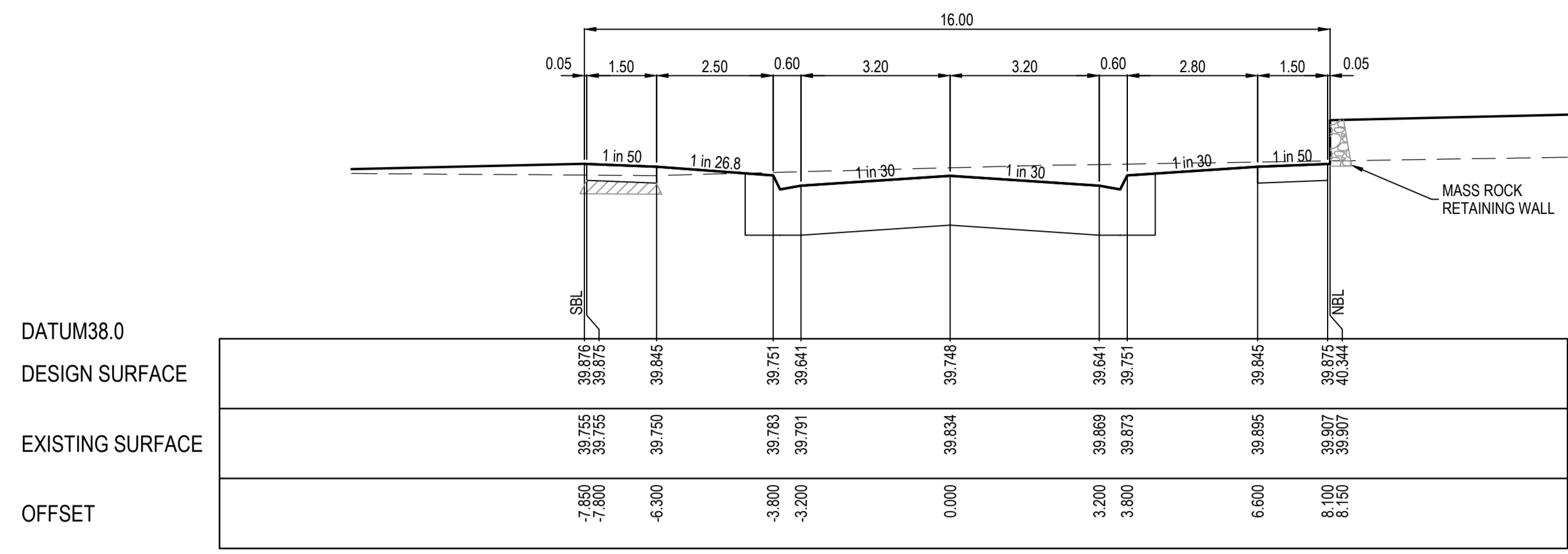
Sheet	13 of 22
Scale	1:100 H 1:50 V @ A1
Project Ref	1801767
Stage No	45
Drawing No	203
Rev	A

K:\Jobs Data\1801767 - Meridian_Eng\Stage 45\Drawings\1801767-45-200-RXS.dwg

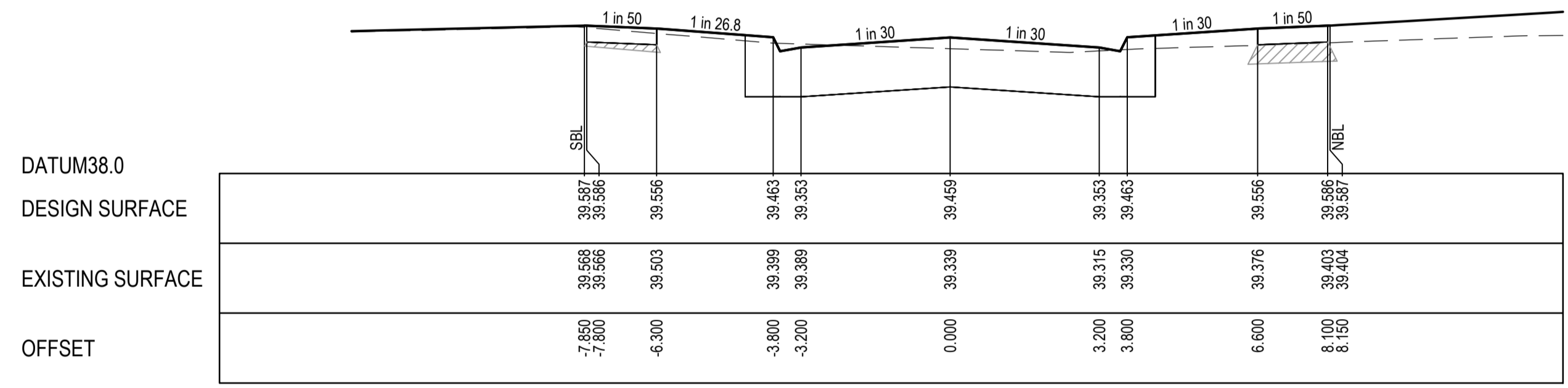
STRUCTURAL FILL REQUIRED UNDER PAVEMENT AND FOOTPATHS WHERE CONSTRUCTED ABOVE NATURAL SURFACE. REFER GEOTECH REPORT FOR SPECIFICATION

LEGEND

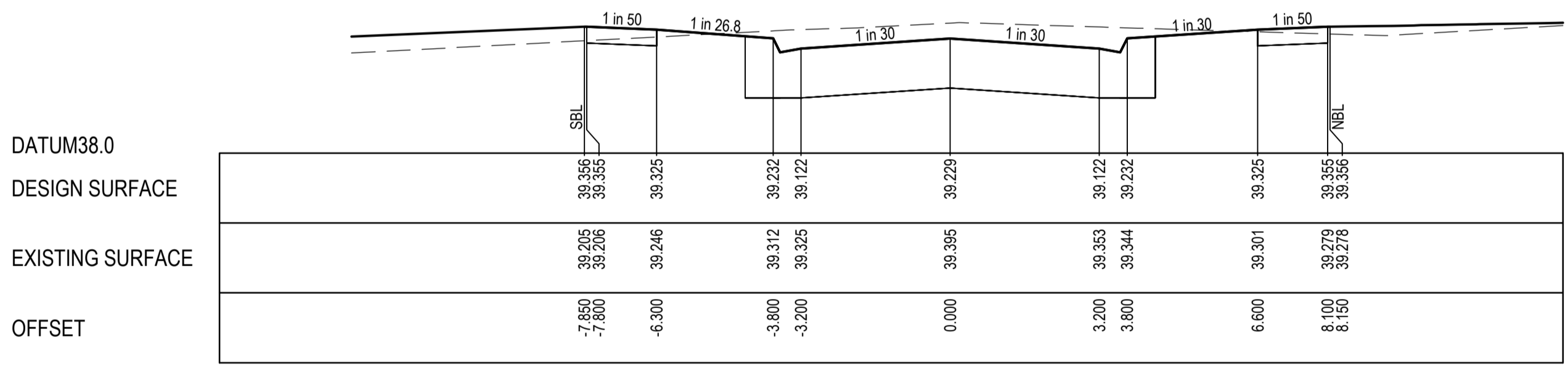
- EXISTING SURFACE
- DESIGN SURFACE
- ▨ STRUCTURAL FILL



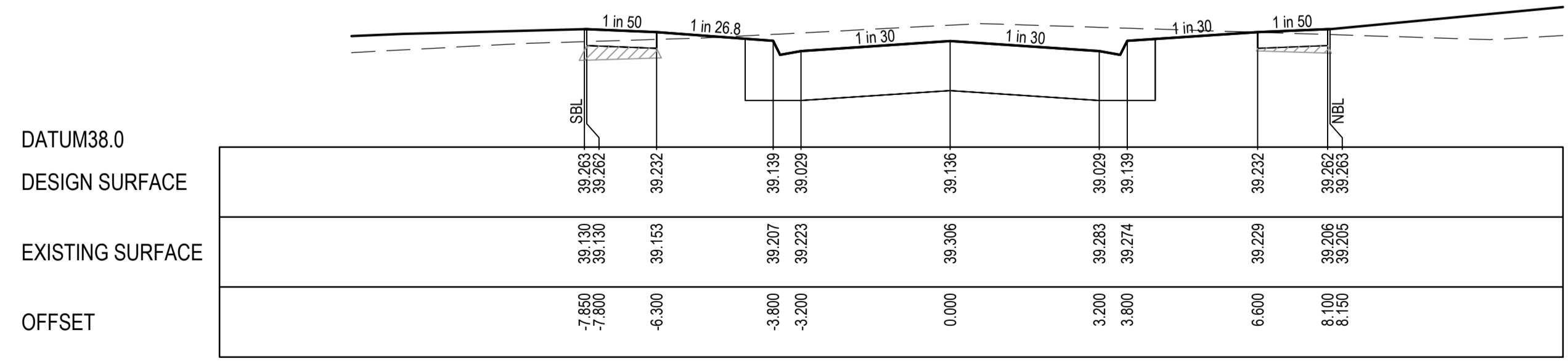
CH 768.117



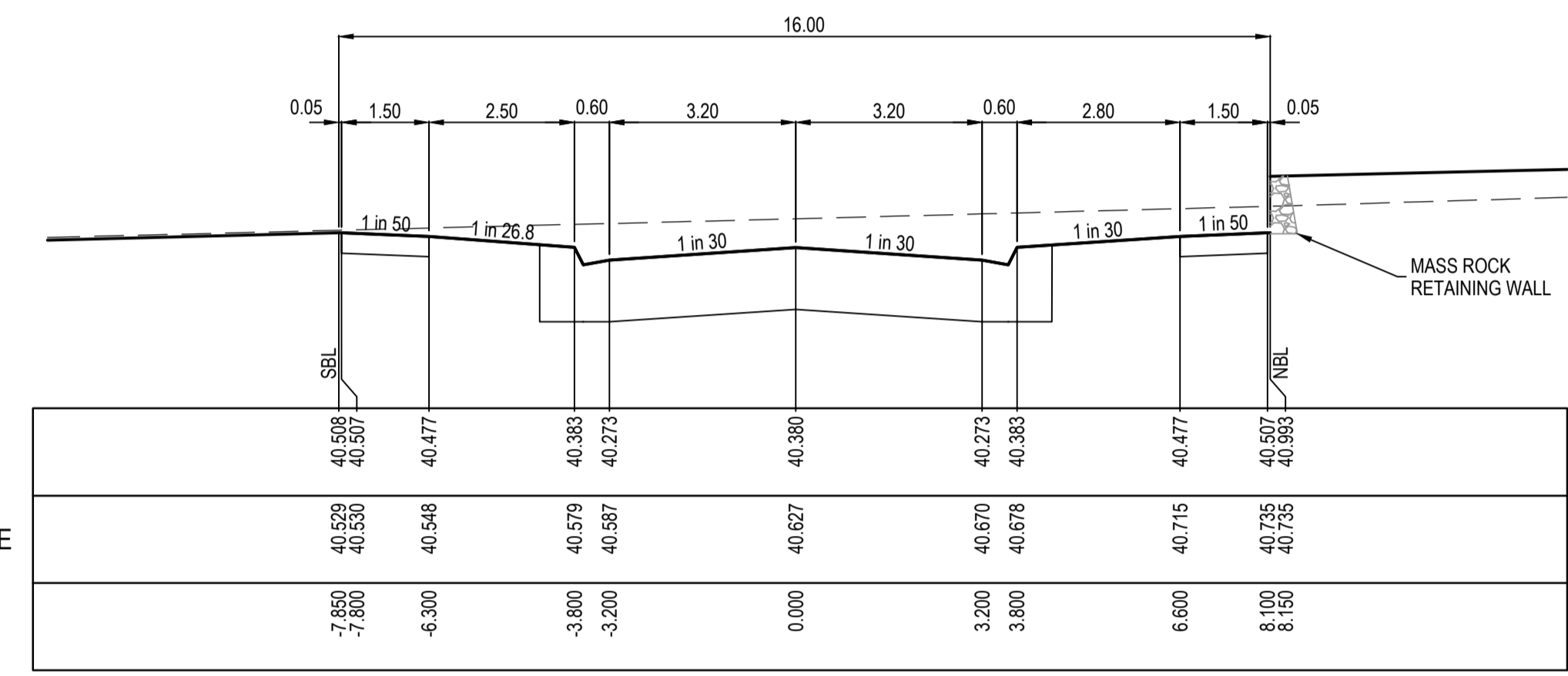
TPCH 751.133



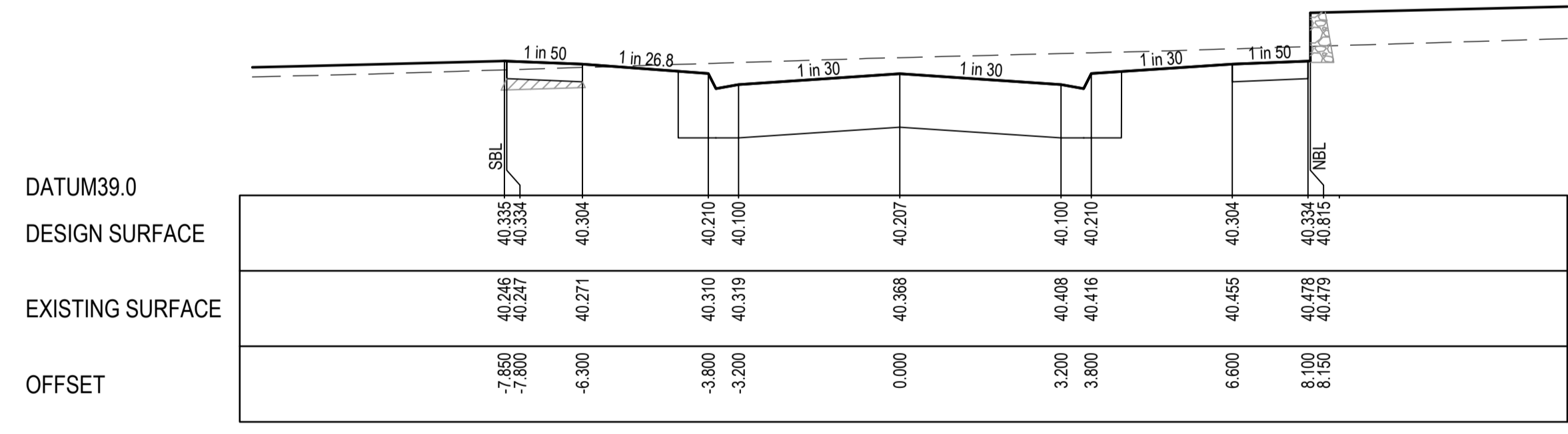
TPCH 737.565



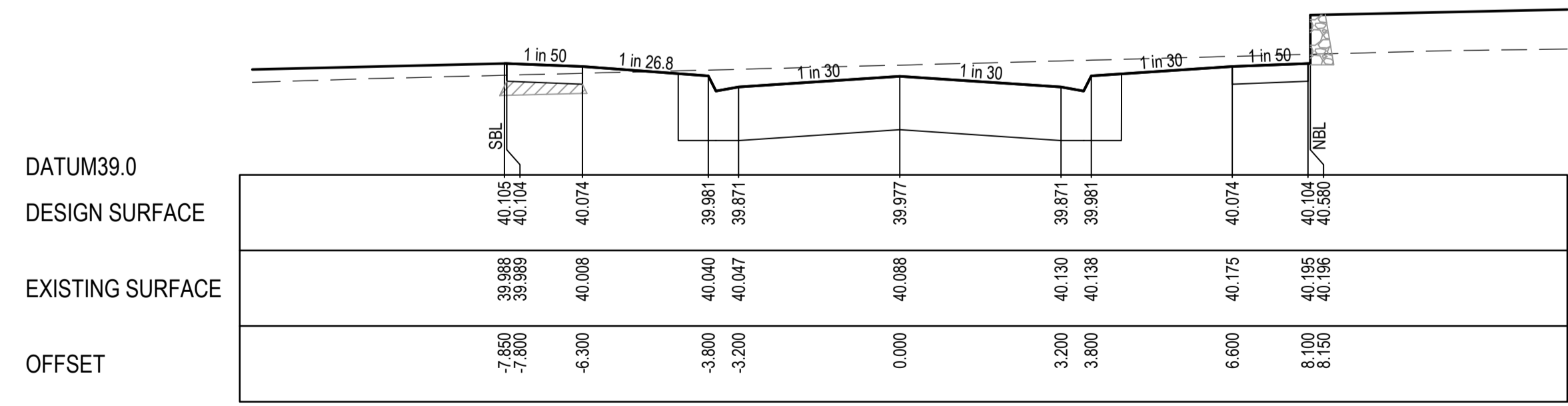
LTPCH 732.088



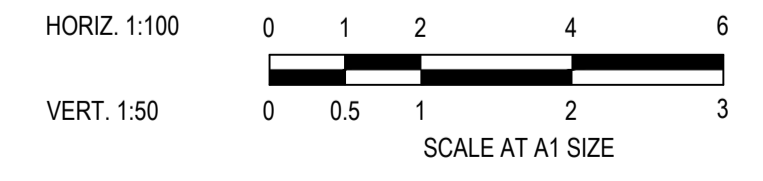
CH 805.288
LIMIT OF WORKS



CH 795.117



CH 781.617



ISSUED FOR CONSTRUCTION

© COPYRIGHT All rights reserved
Beveridge Williams & Co. Pty Ltd has granted a licence to the principle to use this document for its intended purpose.
No unauthorised copying is permitted

REV	DESCRIPTION	DATE	DRN	APP.	REV	DESCRIPTION	DATE	DRN	APP.
A	ISSUED FOR CONSTRUCTION	06.06.23	M.F.	M.F.					



Designed C.DAWSON
Date 22.12.2022
Drawn L.SUTHERLAND
Checked M.FELICIANO
Date 12.10.2023
Approved M.FELICIANO
Reg. No. PE0005645
Date 12.10.2023
PS Number PSS00640TV

BW Beveridge Williams
Development & Infrastructure Consultants
1 Glenferrie Road
Malvern VIC 3144
ph: 03 9524 8888
www.beveridgewilliams.com.au

Project Details
MERIDIAN CENTRAL ESTATE
STAGE 45
CITY OF CASEY
Drawing Title
ROAD CROSS SECTIONS
ALAMBADI CIRCUIT
(SHEET 5 OF 5)

Sheet 14 of 22

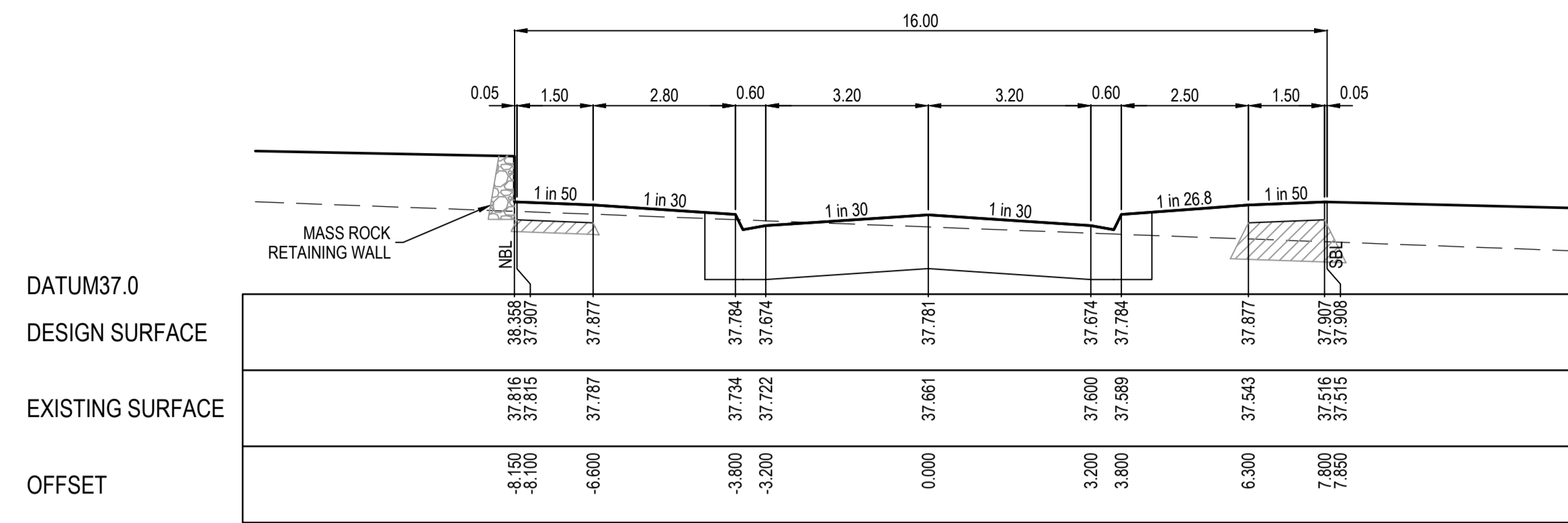
Scale
1:100 H 1:50 V @ A1

Project Ref	Stage No	Drawing No	Rev
1801767	45	204	A

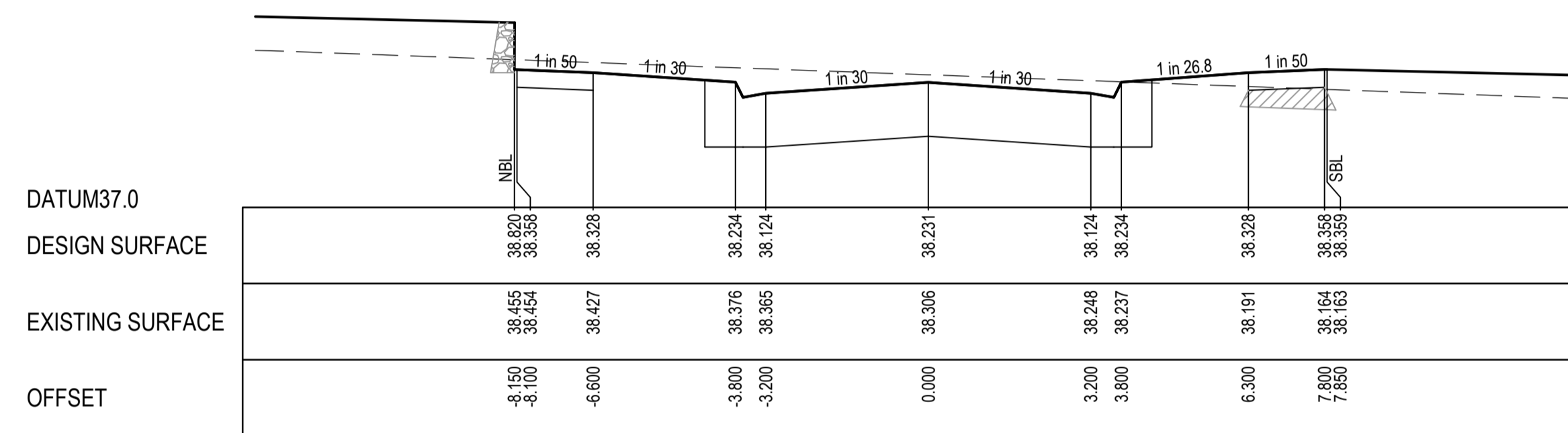
K:\Jobs Data\1801767 - Meridian_Eng\Stage 45\Drawings\1801767-45-200-RXS.dwg

STRUCTURAL FILL REQUIRED UNDER PAVEMENT AND FOOTPATHS WHERE CONSTRUCTED ABOVE NATURAL SURFACE. REFER GEOTECH REPORT FOR SPECIFICATION

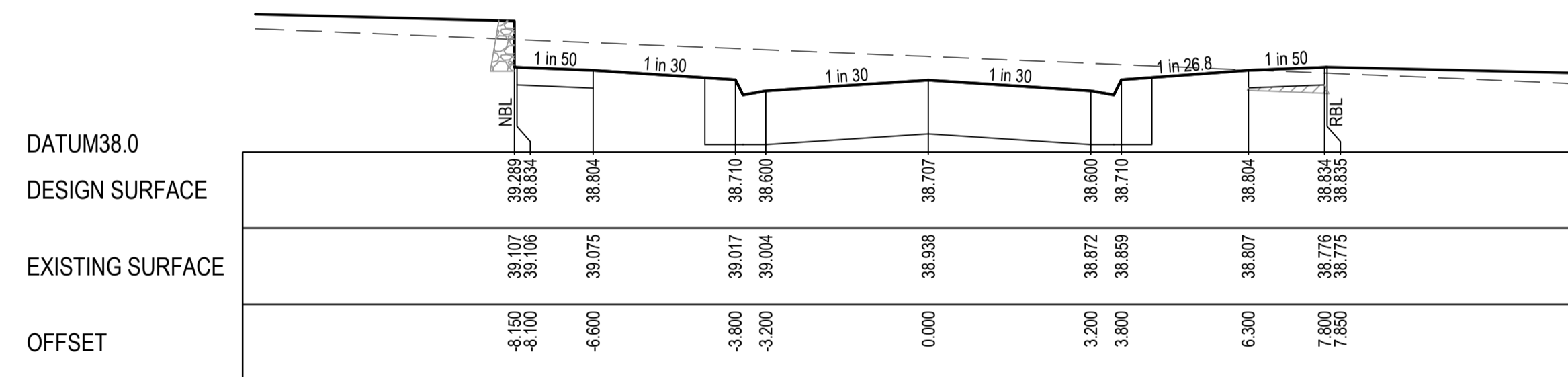
LEGEND	
	EXISTING SURFACE
	DESIGN SURFACE
	STRUCTURAL FILL



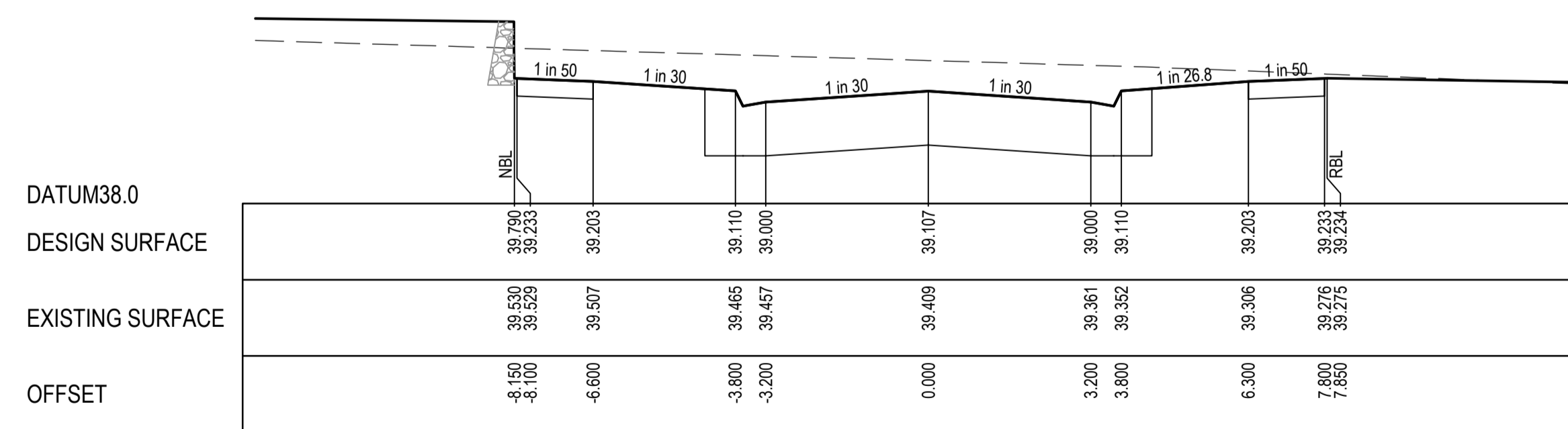
CH 106.850



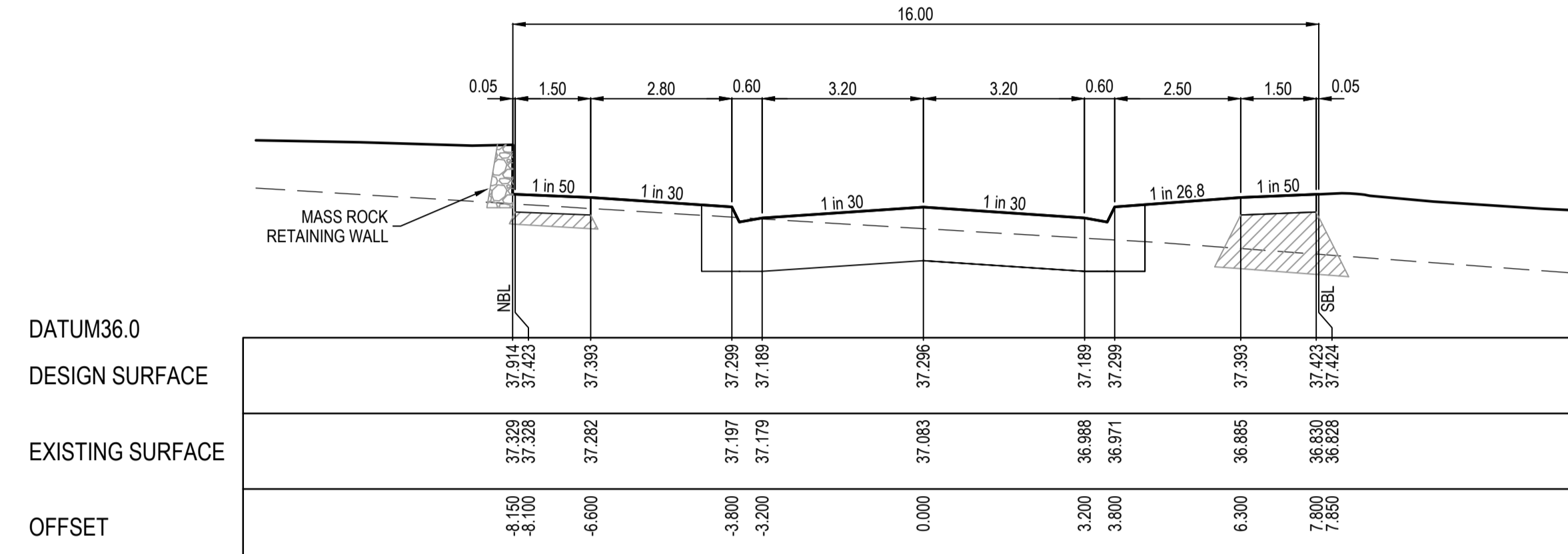
CH 80.350



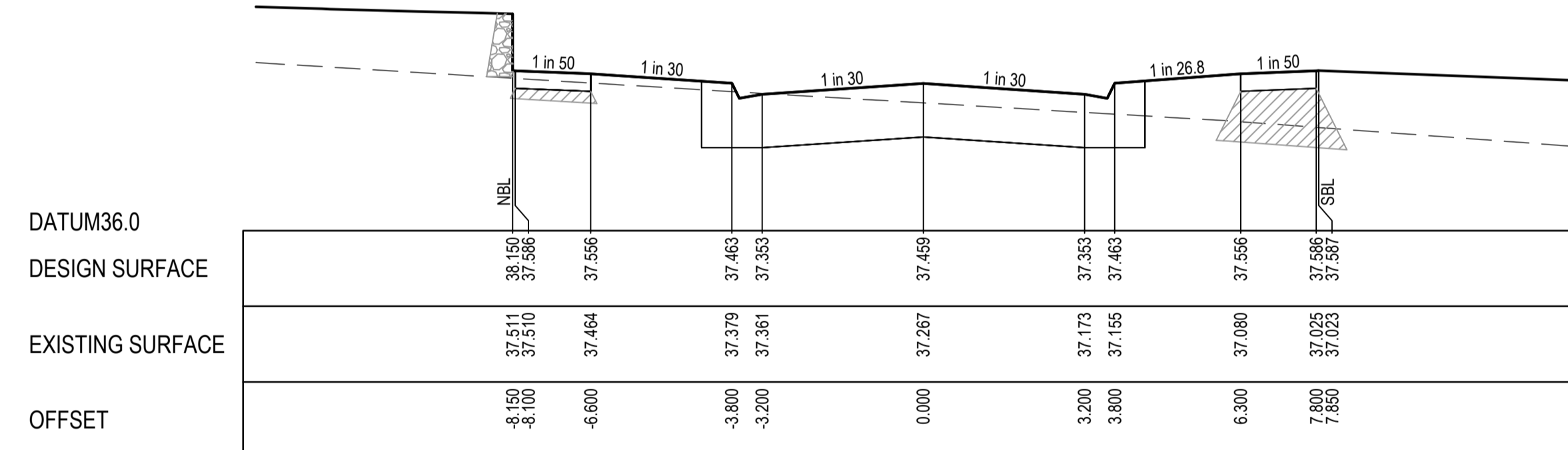
CH 52.350



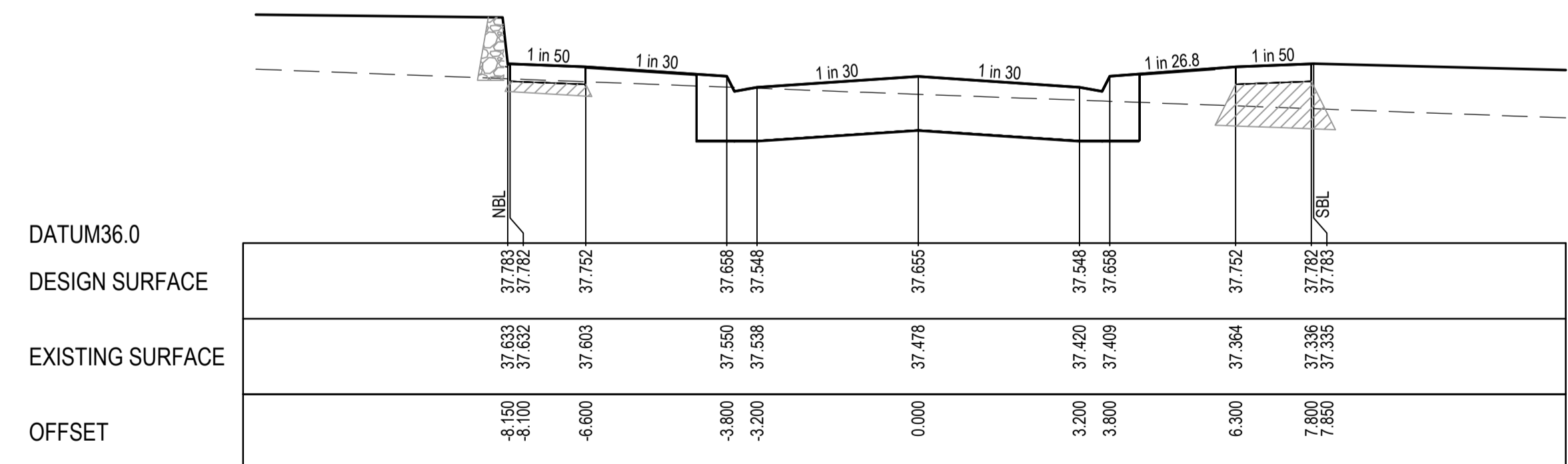
CH 28.850



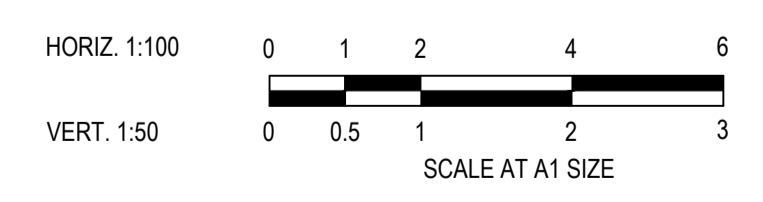
TPCH 151.761



TPCH 127.014



TPCH 114.239



ISSUED FOR CONSTRUCTION

© COPYRIGHT All rights reserved Beveridge Williams & Co. Pty Ltd has granted a licence to the principle to use this document for its intended purpose. No unauthorised copying is permitted					
REV	DESCRIPTION	DATE	DRN.	APP.	REV.
A	ISSUED FOR CONSTRUCTION	06.06.23	M.F.	M.F.	

DATE	DRN.	APP.	REV.	DESCRIPTION	DATE	DRN.	APP.



Designed C.DAWSON
Date 22.12.2022
Drawn L.SUTHERLAND
Checked M.FELICIANO
Date 12.10.2023
Approved M.FELICIANO
Reg. No. PE0005645
Date 12.10.2023
PS Number PS90840TV

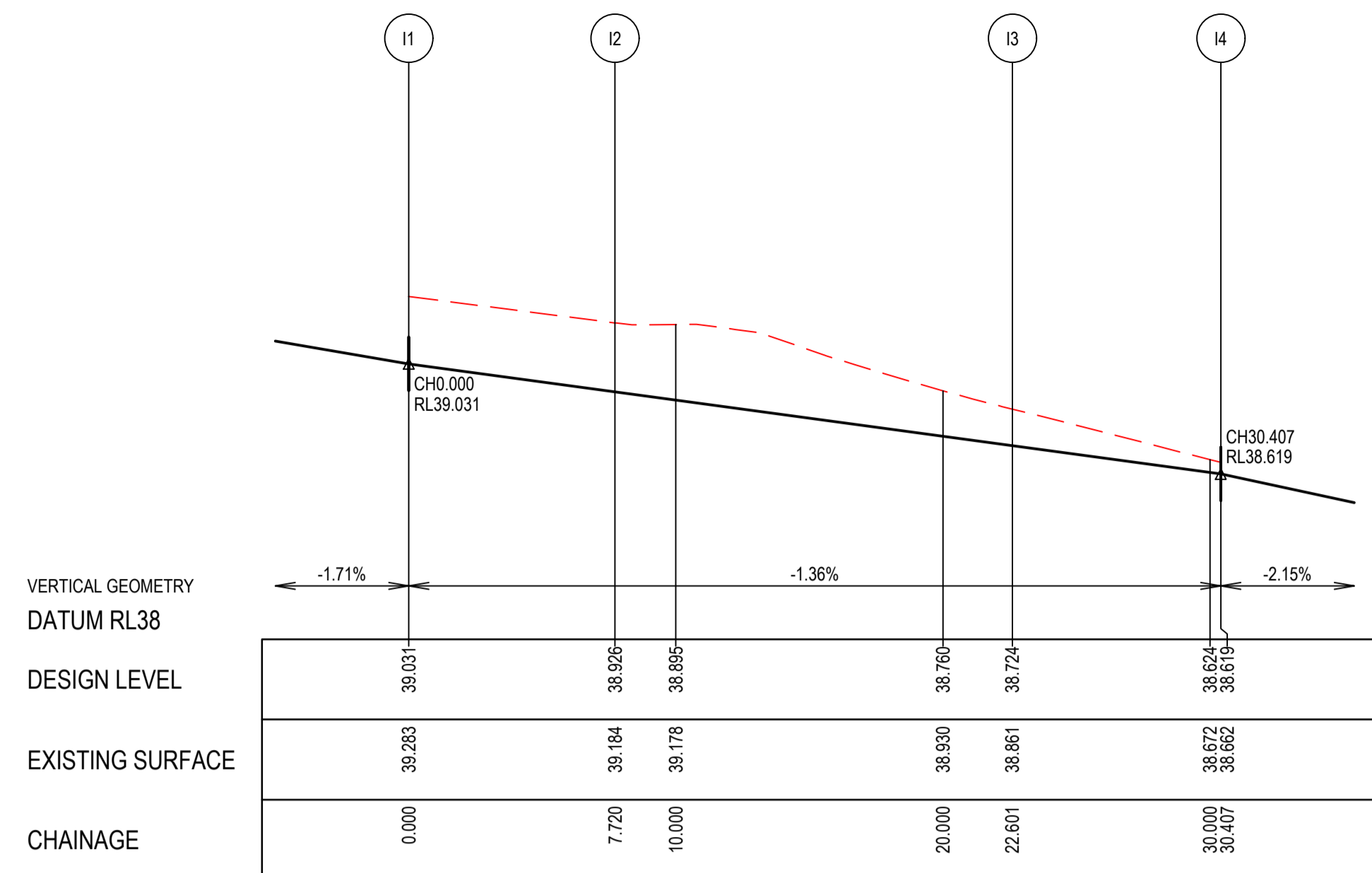
BW Beveridge Williams
Development & Infrastructure Consultants
1 Glenferrie Road
Malvern VIC 3144
ph: 03 9524 8888
www.beveridgewilliams.com.au

Project Details
MERIDIAN CENTRAL ESTATE
STAGE 45
CITY OF CASEY

Drawing Title
ROAD CROSS SECTIONS
HERENS ROAD

Sheet	15 of 22
Scale	1:100 H 1:50 V @ A1
Project Ref	1801767
Stage No	45
Drawing No	205
Rev	A

K:\Jobs Data\1801767 - Meridian_Eng\Stage 45\Drawings\1801767-45-200-RXS.dwg

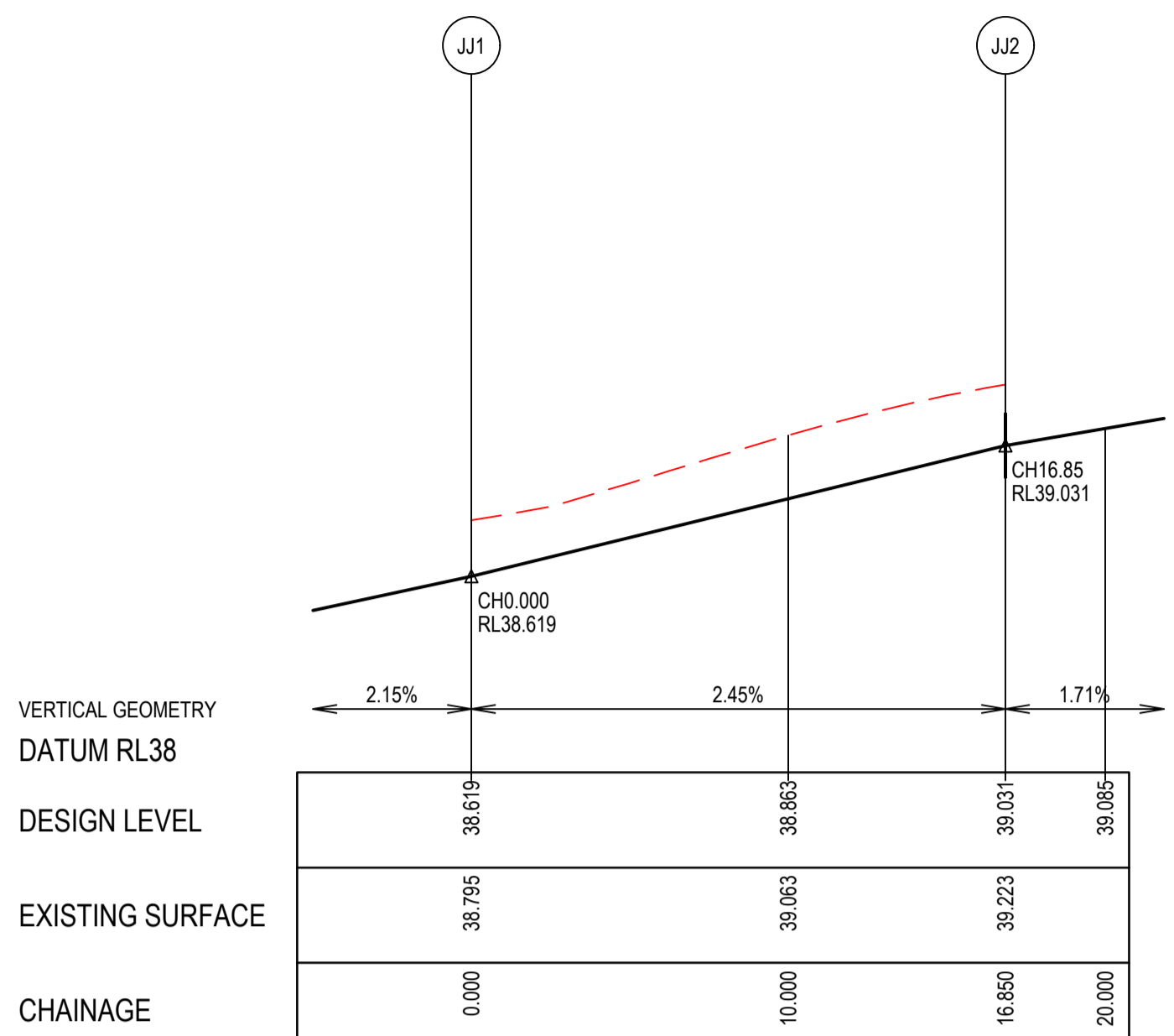


LIP LINE I

LIP LINE I

Point no	Easting	Northing	RL
I1	2787.610	318.293	39.031
I2	2793.993	322.634	38.926
I3	2807.117	320.051	38.724
I4	2811.405	313.528	38.619

Curve no	I	Radius	Arc	A	B	X	Y	I	Mid point RL
I2 - I3	90.708	9.400	14.882	2.794	2.068	3.624	3.064	3.720	39.825
I3 - I4	0.374	1196.850	7.806	0.006	0.005	1.951	1.951	1.951	38.672

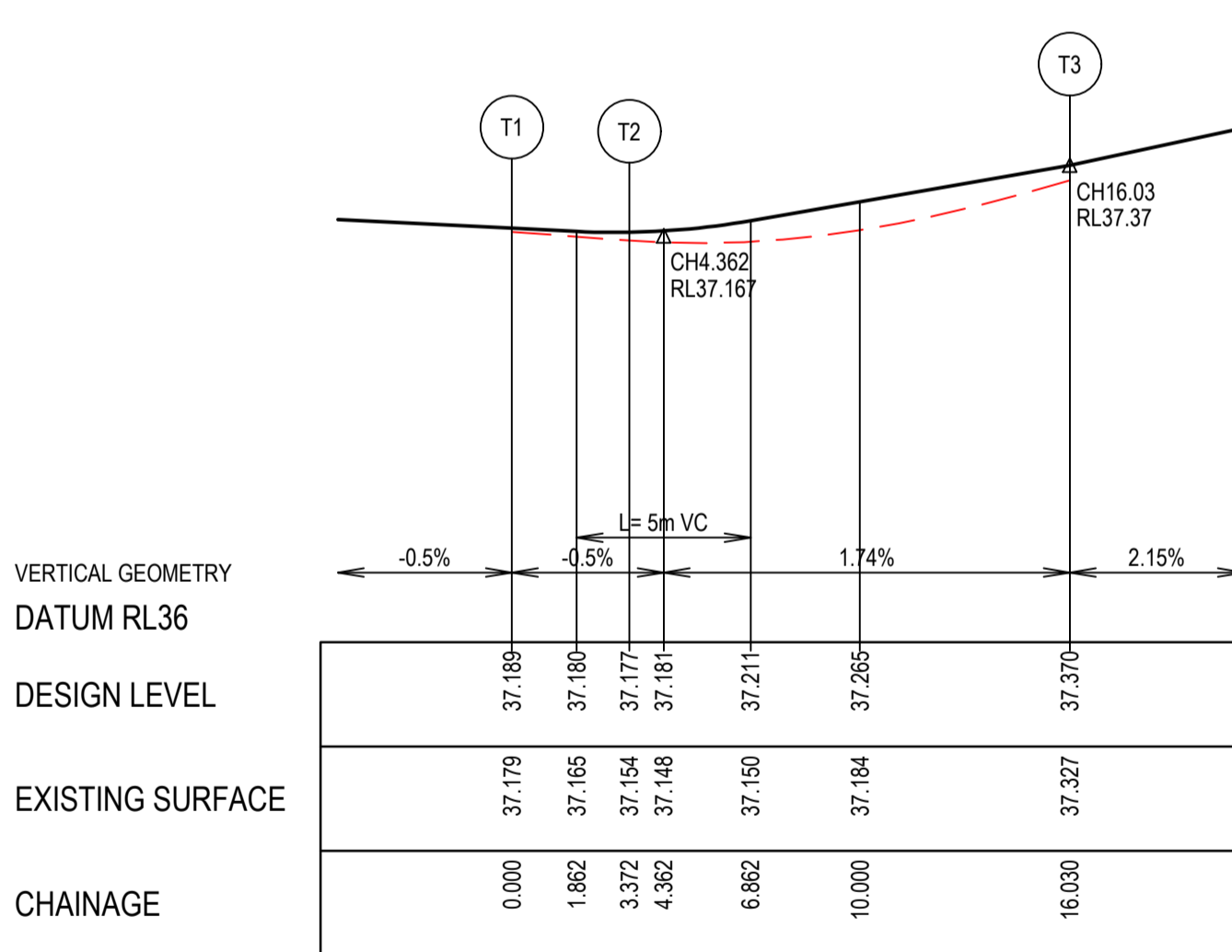


LIP LINE JJ

LIP LINE JJ

Point no	Easting	Northing	RL
JJ1	2806.293	310.030	38.619
JJ2	2791.209	313.001	39.031

Curve no	I	Radius	Arc	A	B	X	Y	I	Mid point RL
JJ1 - JJ2	91.081	10.600	16.850	3.176	2.350	4.103	3.463	4.213	38.825

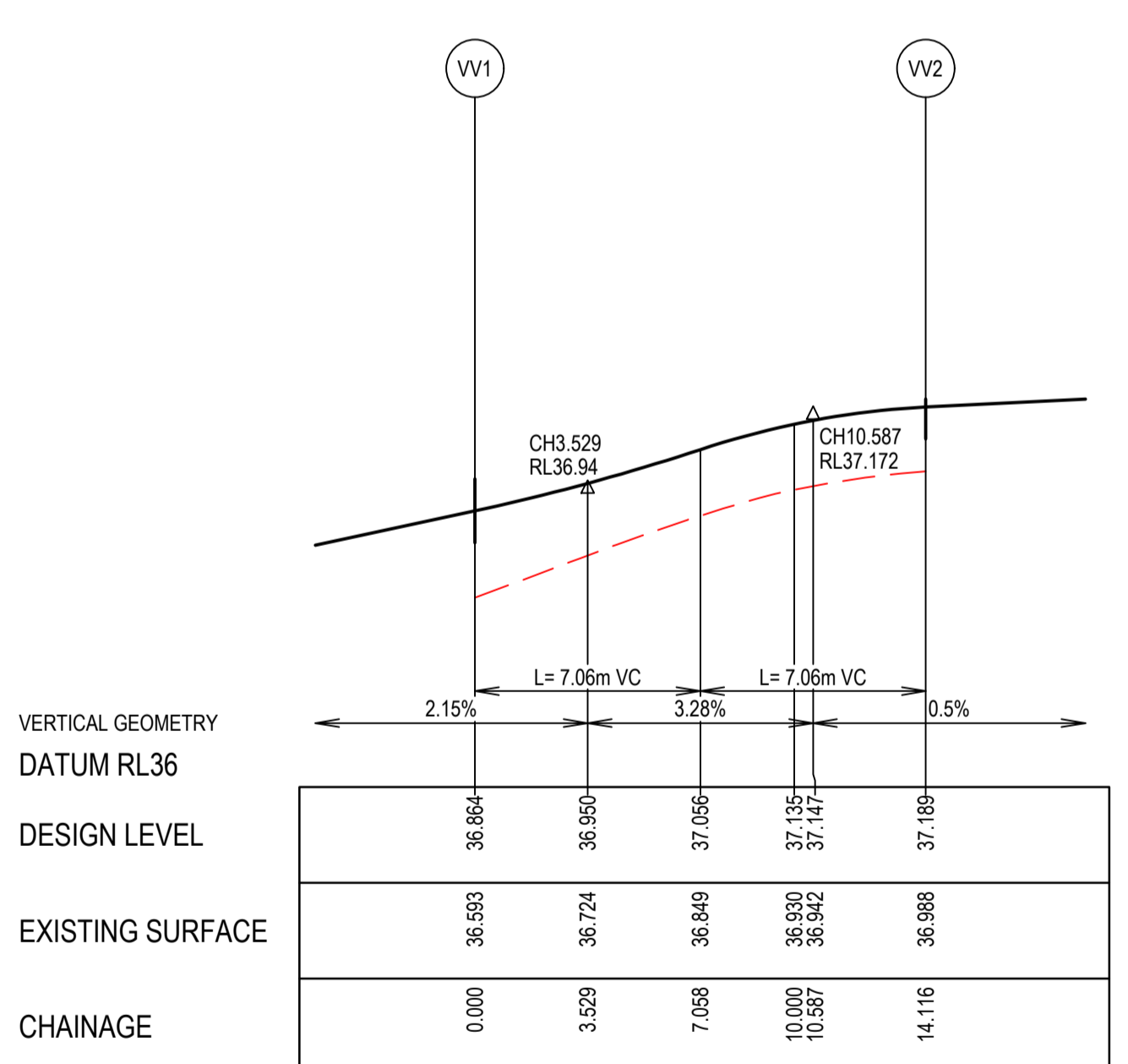


LIP LINE T

LIP LINE T

Point no	Easting	Northing	RL
T1	2830.079	247.986	37.189
T2	2832.945	249.763	37.177
T3	2836.134	260.860	37.370

Curve no	I	Radius	Arc	A	B	X	Y	I	Mid point RL
T2 - T3	84.327	8.600	12.657	2.225	1.650	3.093	2.679	3.164	37.260

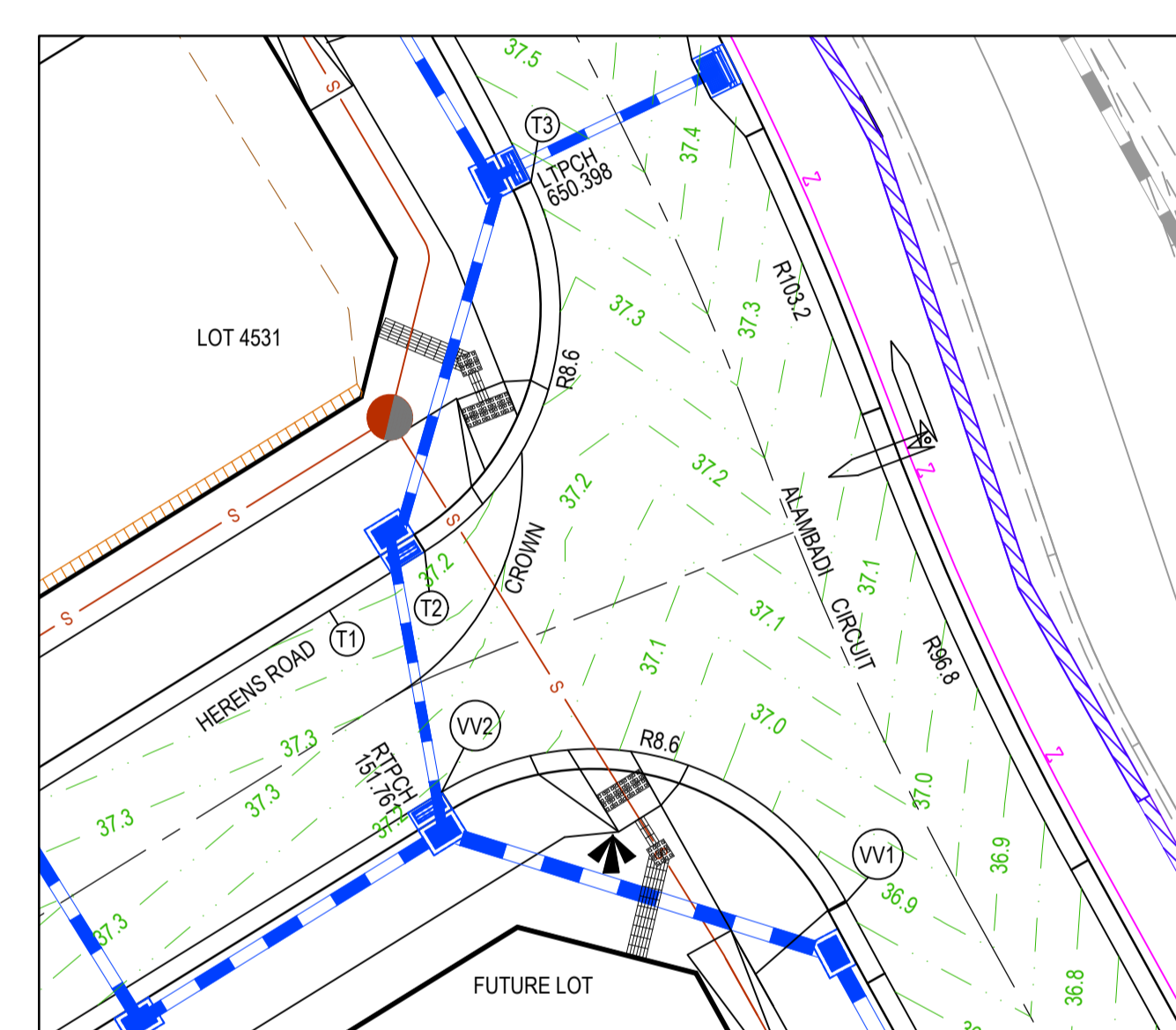
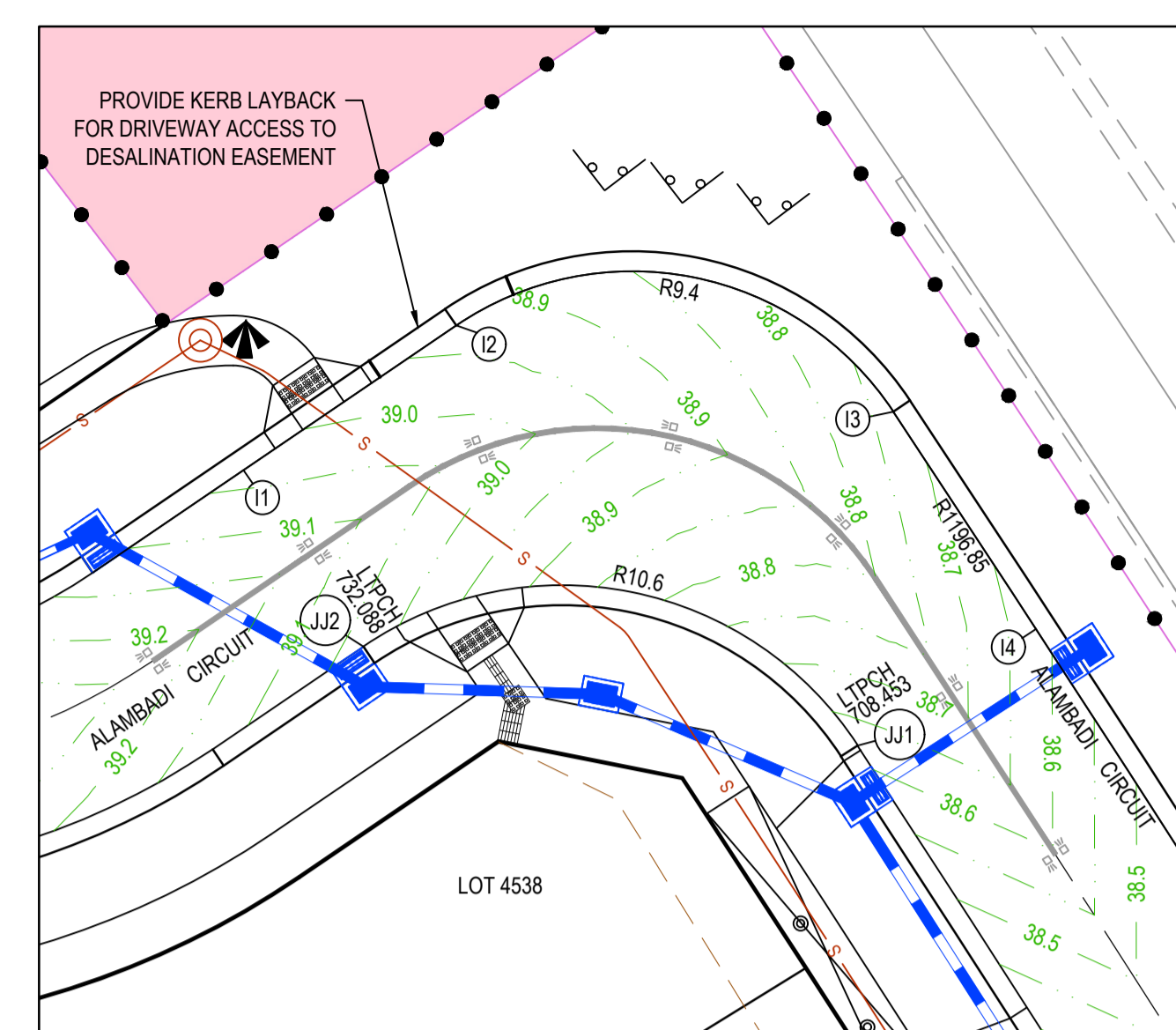


LIP LINE VV

LIP LINE VV

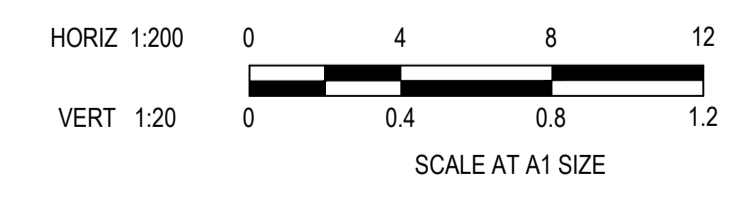
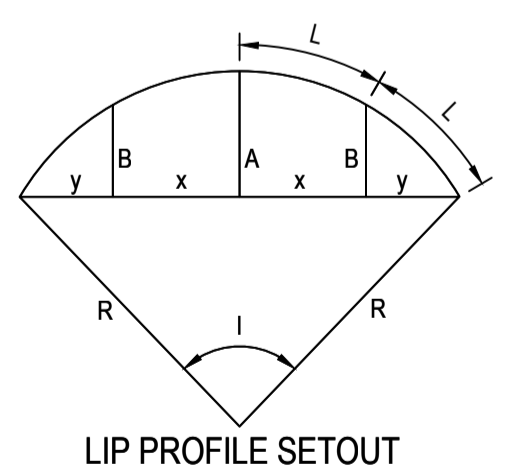
Point no	Easting	Northing	RL
VV1	2845.595	239.243	36.864
VV2	2833.452	242.547	37.189

Curve no	I	Radius	Arc	A	B	X	Y	I	Mid point RL
VV1 - VV2	94.045	8.600	14.116	2.737	2.023	3.431	2.861	3.529	37.056



LEGEND

- STORMWATER DRAIN, PIT & PROPERTY INLET
- MELBOURNE WATER DRAIN & PIT
- SWALE DRAIN
- SEWER & MAINTENANCE STRUCTURES
- HOUSE DRAIN
- TACTILE PAVERS (INDICATIVE ONLY)
- EXISTING HOUSE DRAIN
- RETAINING WALL
- PAVEMENT TREATMENT
- CONCRETE EDGE STRIP WITH SUBSOIL DRAIN
- 'NO ROAD' SIGN & BARRIER
- LIMIT OF WORKS
- EXISTING TREE TO BE REMOVED
- PERMANENT SURVEY MARK
- TEMPORARY BENCH MARK
- PROPOSED DRIVEWAY



WARNING! (NO GO ZONE)
 NO WORKS TO BE COMMENCED WITHIN THE EXISTING DESALINATION EASEMENT OR OVER THE EXISTING 220KV HV ELEC. 19000 DESAL PIPELINE & OPTIC CABLE WITHOUT PRIOR WRITTEN APPROVAL FROM DELWP AND AUSNET.

ISSUED FOR CONSTRUCTION

REV	DESCRIPTION	DATE	DRN.	APP.	REV	DESCRIPTION	DATE	DRN.	APP.
A	ISSUED FOR CONSTRUCTION	06.06.23	M.F.	M.F.					



Designed: C.DAWSON
 Date: 22.12.2022
 Drawn: L.SUTHERLAND
 Checked: M.FELICIANO
 Date: 12.10.2023
 Approved: M.FELICIANO
 Reg. No.: PE0005645
 Date: 12.10.2023
 PS Number: PS908401V

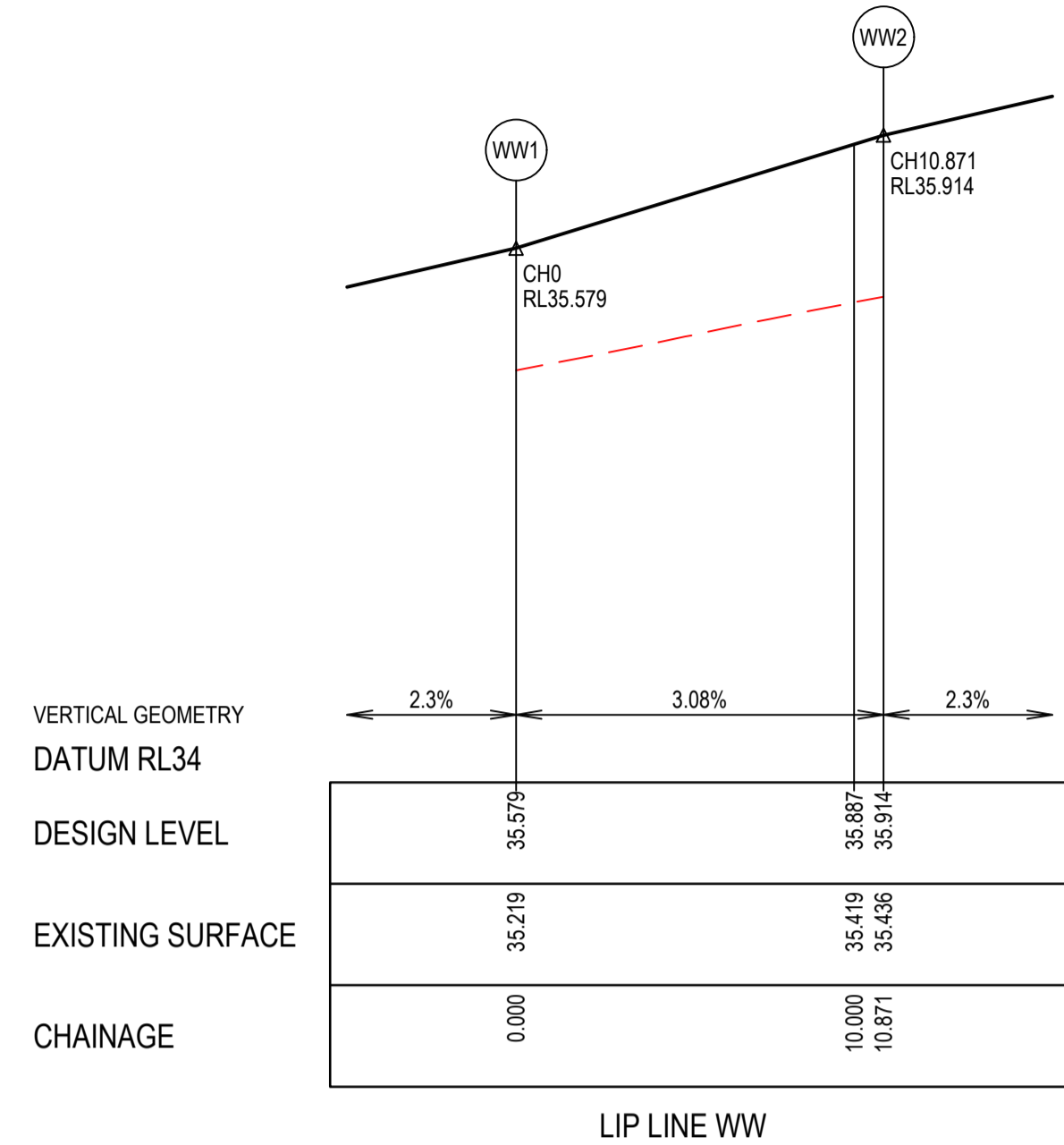
BW Beveridge Williams
 Development & Infrastructure Consultants
 1 Glenferrie Road
 Malvern VIC 3144
 ph: 03 9524 8888
 www.beveridgewilliams.com.au

Project Details: MERIDIAN CENTRAL ESTATE
 STAGE 45
 CITY OF CASEY

Drawing Title: INTERSECTION DETAILS
 (SHEET 1 OF 2)

Sheet 16 of 22
 Scale: 1:200 H 1:20 V @ A1
 Project Ref: 1801767
 Stage No: 45
 Drawing No: 300
 Rev: A

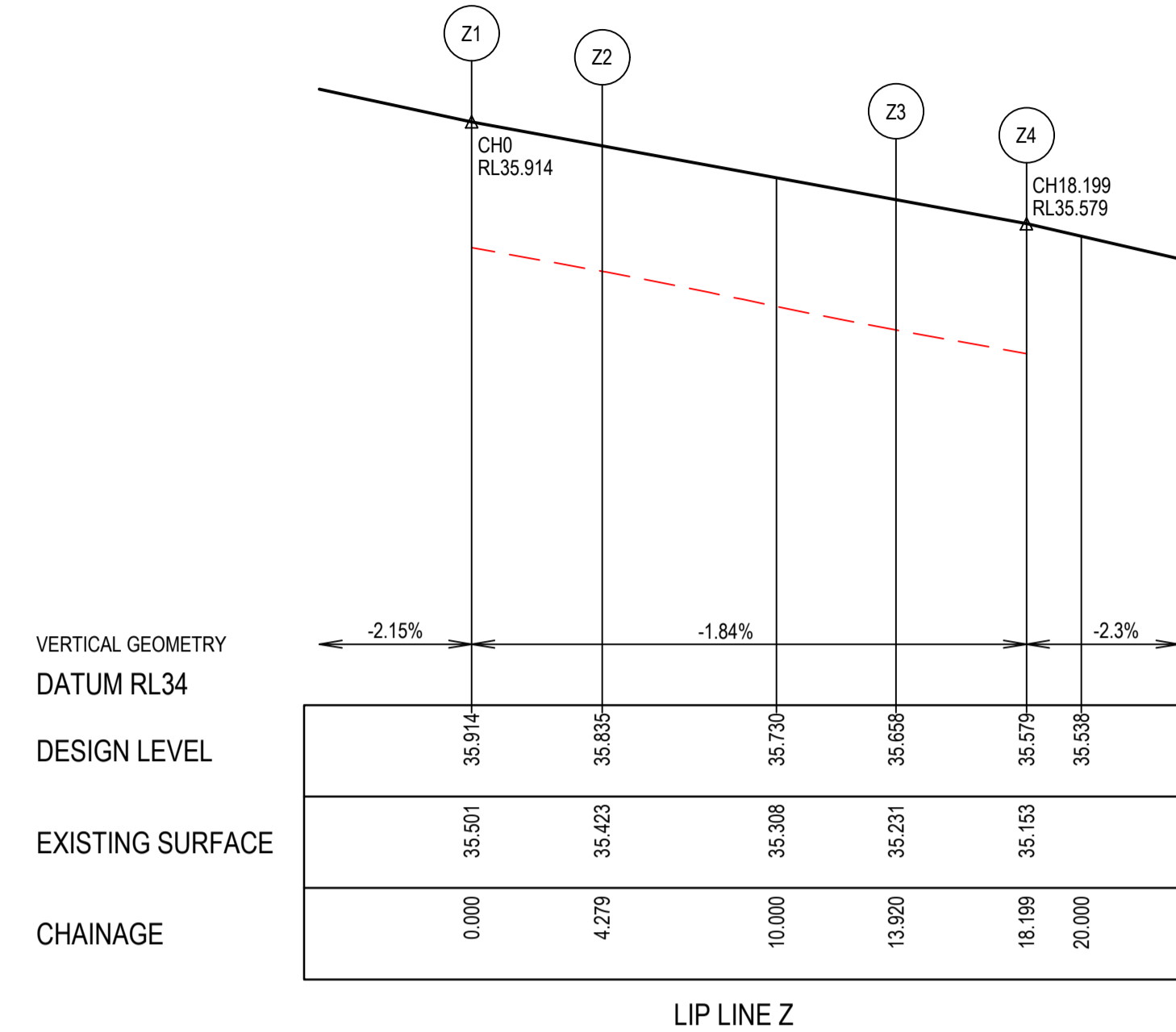
K:\Jobs Data\1801767 - Meridian_Eng\Stage 45 Drawings\1801767-45-300-INT.dwg



LIP LINE WW

Point no	Easting	Northing	RL
WW1	2867.938	190.933	35.579
WW2	2868.194	201.331	35.914

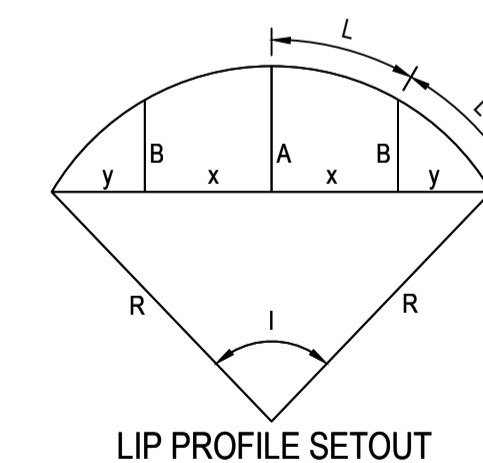
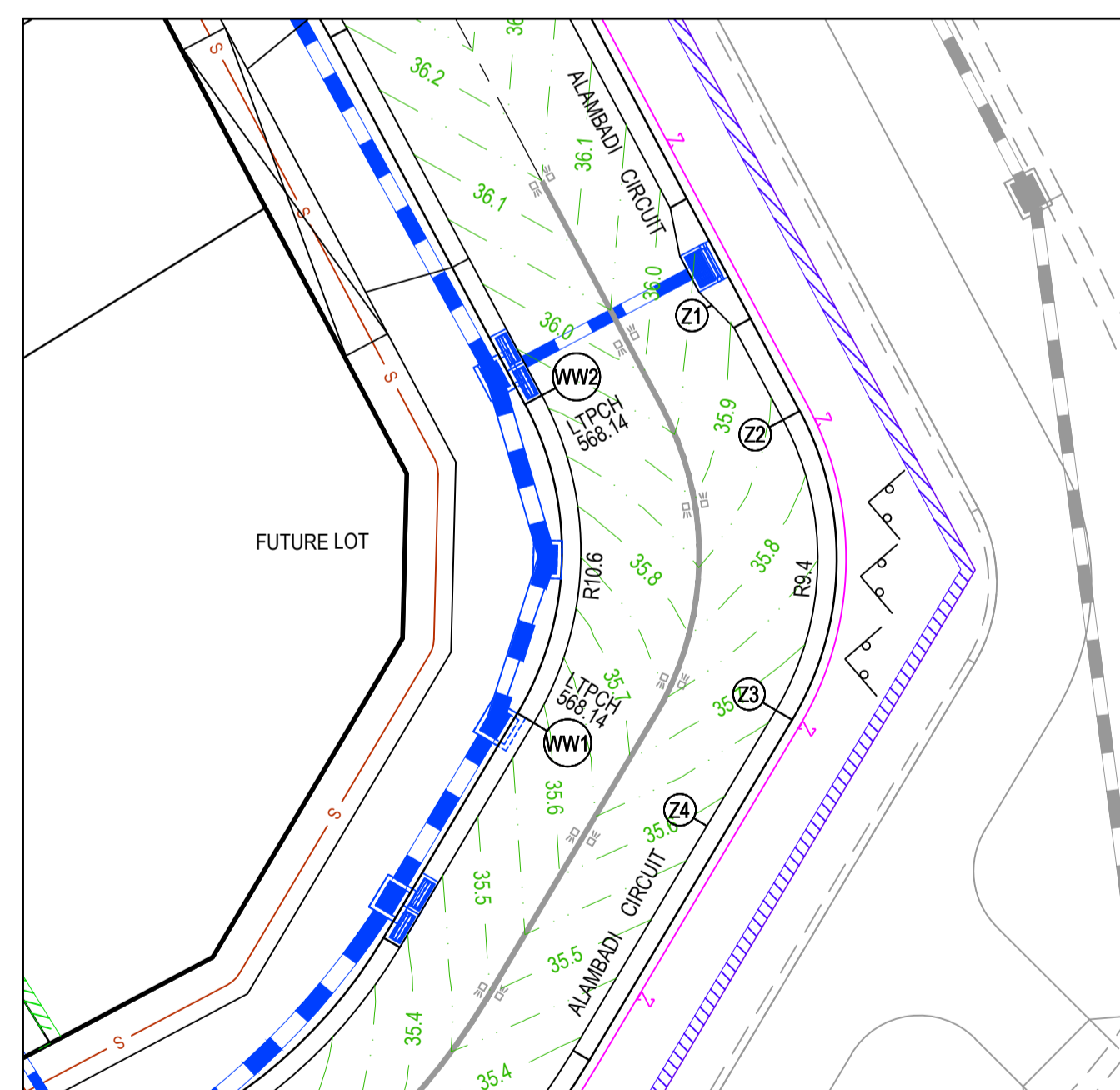
Curve no	I	Radius	Arc	A	B	X	Y	I	Mid point RL
WW1 - WW2	58.762	10.600	10.871	1.363	1.017	2.688	2.512	2.718	35.747



LIP LINE Z

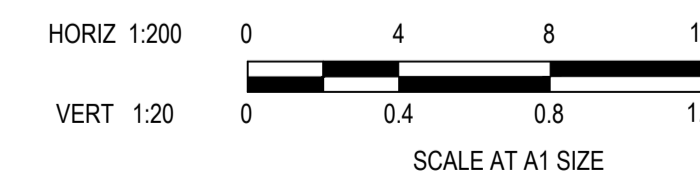
Point no	Easting	Northing	RL
Z1	2873.846	204.333	35.914
Z2	2875.853	200.554	35.835
Z3	2875.626	191.333	35.658
Z4	2873.436	187.657	35.579

Curve no	I	Radius	Arc	A	B	X	Y	I	Mid point RL
Z2 - Z3	58.762	9.400	9.641	1.209	0.902	2.384	2.228	2.410	35.747



LEGEND

- STORMWATER DRAIN, PIT & PROPERTY INLET
- MELBOURNE WATER DRAIN & PIT
- SWALE DRAIN
- SEWER & MAINTENANCE STRUCTURES
- HOUSE DRAIN
- TACTILE PAVERS (INDICATIVE ONLY)
- EXISTING HOUSE DRAIN
- RETAINING WALL
- PAVEMENT TREATMENT
- CONCRETE EDGE STRIP WITH SUBSOIL DRAIN
- 'NO ROAD' SIGN & BARRIER
- LIMIT OF WORKS
- EXISTING TREE TO BE REMOVED
- PERMANENT SURVEY MARK
- TEMPORARY BENCH MARK
- PROPOSED DRIVEWAY



ISSUED FOR CONSTRUCTION

© COPYRIGHT All rights reserved
Beveridge Williams & Co. Pty Ltd has granted a licence to the principle to use this document for its intended purpose.
No unauthorised copying is permitted

REV	DESCRIPTION	DATE	DRN	APP.	REV	DESCRIPTION	DATE	DRN	APP.
A	ISSUED FOR CONSTRUCTION	06.06.23	M.F	M.F					



Designed C.DAWSON
Date 22.12.2022
Drawn L.SUTHERLAND
Checked M.FELICIANO
Date 12.10.2023
Approved M.FELICIANO
Reg. No. PE0005645
Date 12.10.2023
PS Number PS908401V

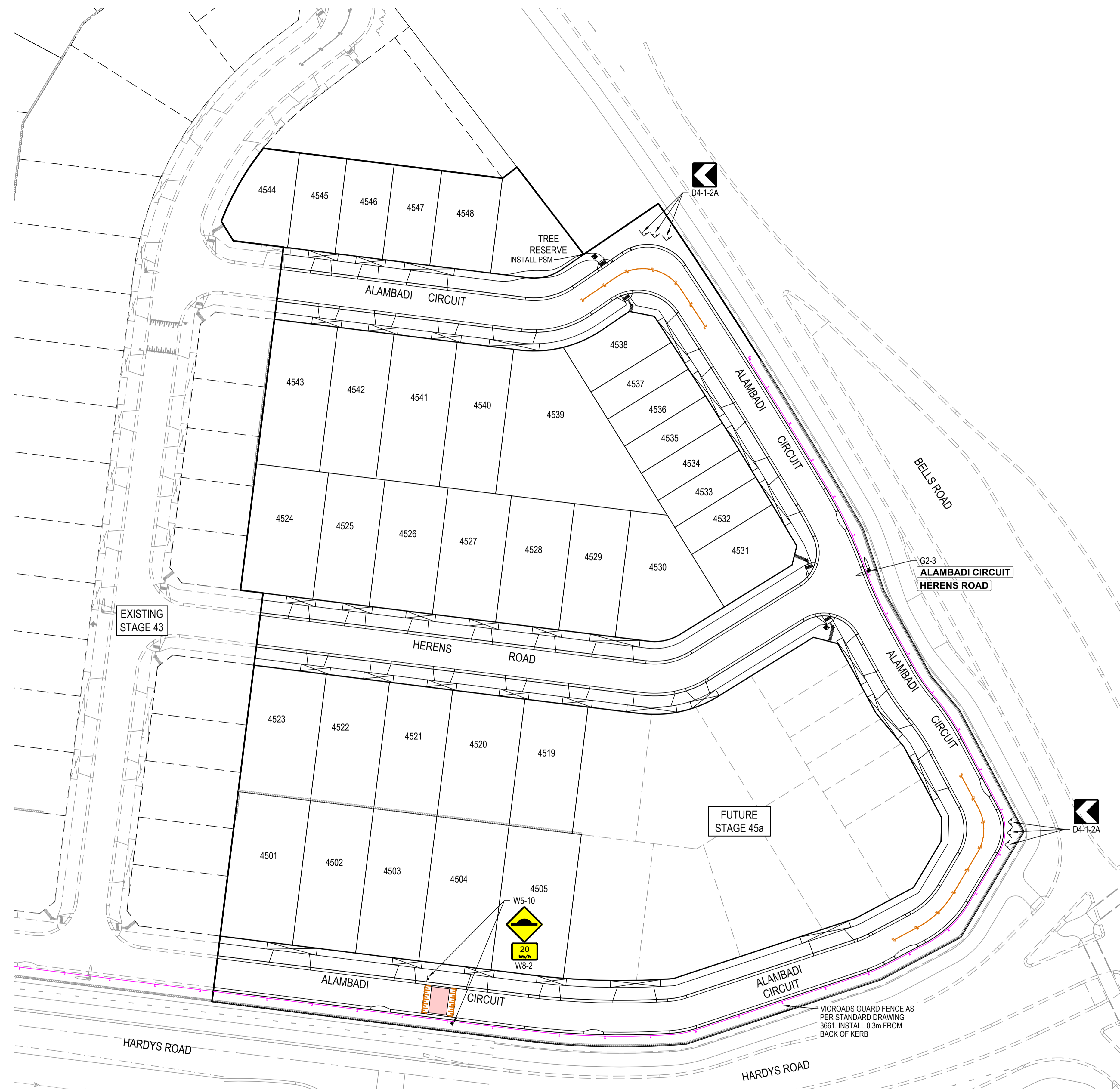
BW Beveridge Williams
Development & Infrastructure Consultants
1 Glenferrie Road
Malvern VIC 3144
ph: 03 9524 8888
www.beveridgewilliams.com.au

Project MERIDIAN CENTRAL ESTATE
Details STAGE 45
CITY OF CASEY
Drawing INTERSECTION DETAILS
Title (SHEET 2 OF 2)

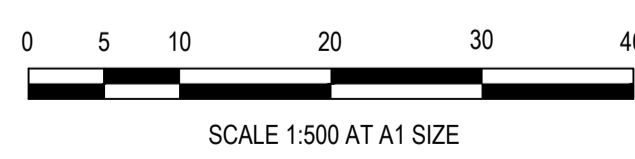
Sheet 17 of 22

Scale 1:200 H 1:20 V @ A1

Project Ref	Stage No	Drawing No	Rev
1801767	45	301	A



- NOTES**
- RRPM'S AT MAX 6m SPACING.
 - LINEMARKING TO BE EXTENDED AT LEAST 6m FROM THE TANGENT POINT
 - LINEMARKING IN ACCORDANCE WITH AS1742.
 - TGSI TO BE INSTALLED IN ACCORDANCE WITH AS1428.4 & VICROADS SUPPLEMENTARY STANDARD TEM Vol 2 Part 2.23
 - ALL STREET NAME SIGNS AT INTERSECTIONS TO INCLUDE RELEVANT STREET NUMBERING.
 - ALL LINE MARKING PAINT SHALL BE LONG LIFE TYPE. LATERAL WORKS AND ARROWS BEING COLD APPLIED PLASTIC TROWELLED INTO PLACE (MATERIAL DEGADUR PLASTELINE) AND LONGITUDINAL LINES BEING EXTRUDED THERMOPLASTIC MATERIAL.



ISSUED FOR CONSTRUCTION

REV	DESCRIPTION	DATE	DRN	APP	REV	DESCRIPTION	DATE	DRN	APP
A	ISSUED FOR CONSTRUCTION	06.06.23	M.F	M.F					

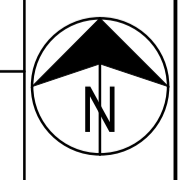


Designed: C.DAWSON
 Date: 22.12.2022
 Drawn: L.SUTHERLAND
 Checked: M.FELICIANO
 Date: 12.10.2023
 Approved: M.FELICIANO
 Reg. No: PE0005645
 Date: 12.10.2023
 PS Number: PS90840TV

BW Beveridge Williams
 Development & Infrastructure Consultants
 1 Glenferrie Road
 Malvern VIC 3144
 ph: 03 9524 8888
 www.beveridgewilliams.com.au

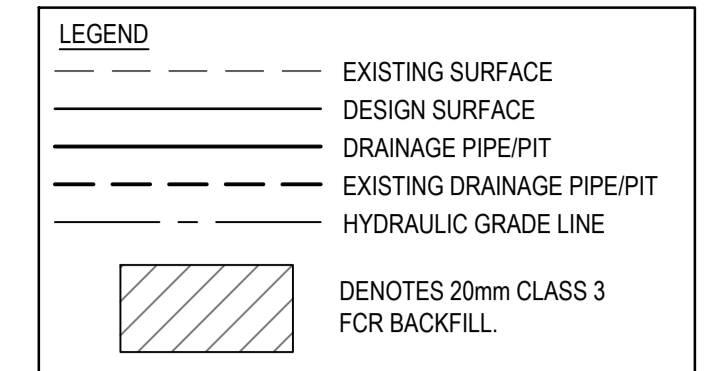
Project Details: MERIDIAN CENTRAL ESTATE
 STAGE 45
 CITY OF CASEY
 Drawing Title: SIGNAGE & LINE MARKING PLANS

Sheet	18 of 22
Scale	1:500 @ A1
Project Ref	1801767
Stage No	45
Drawing No	350
Rev	A

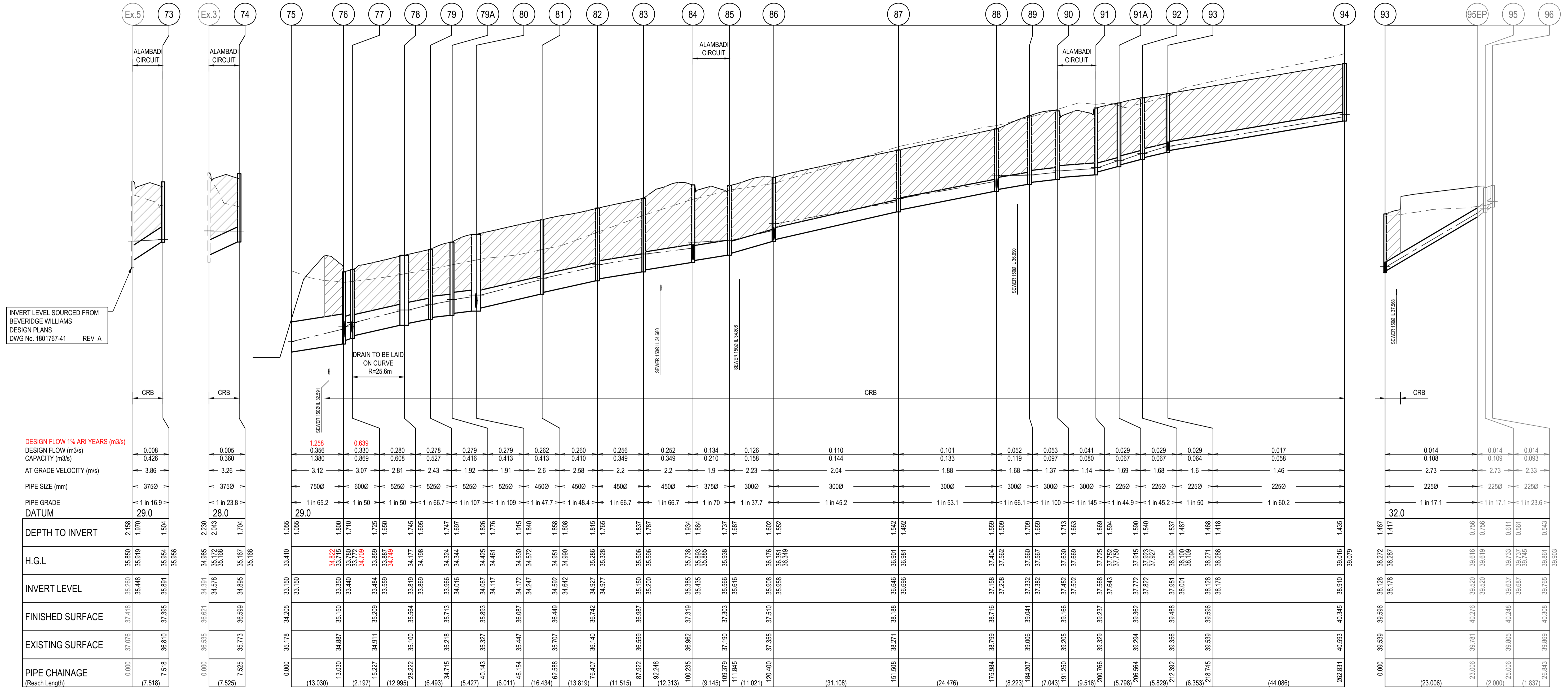


K:\Jobs Data\1801767 - Meridian_Eng\Stage 45\Drawings\1801767-45-350-LMP.dwg

NOTES:
 ALL STORMWATER DRAINS UP TO AND INCLUDING 750mm DIA. ARE TO BE CLASS 2 R.R.J. PIPES UNLESS NOTED OTHERWISE.



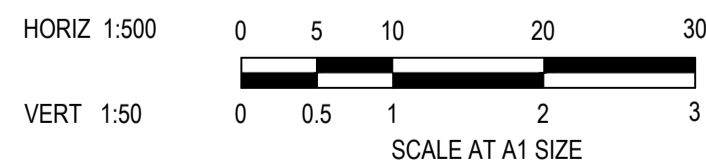
TEMPORARY DRAINAGE TO THE DRAINAGE FACILITY TO BE REMOVED ONCE STAGE 45A IS CONSTRUCTED AND THE TEMPORARY DRAINAGE FACILITY IS REMOVED



INVERT LEVEL SOURCED FROM BEVERIDGE WILLIAMS DESIGN PLANS DWG No. 1801767-41 REV A

DESIGN FLOW 1% ARI YEARS (m3/s)

DESIGN FLOW (m3/s)	0.008	0.005	1.258	0.639	0.280	0.278	0.279	0.279	0.262	0.260	0.256	0.252	0.134	0.126	0.110	0.101	0.052	0.053	0.041	0.029	0.029	0.029	0.017
CAPACITY (m3/s)	0.426	0.360	1.380	0.869	0.608	0.527	0.416	0.413	0.413	0.410	0.349	0.349	0.210	0.158	0.144	0.133	0.119	0.097	0.080	0.067	0.067	0.064	0.058
AT GRADE VELOCITY (m/s)	3.86	3.26	3.12	3.07	2.81	2.43	1.92	1.91	2.6	2.58	2.2	2.2	1.9	2.23	2.04	1.88	1.68	1.37	1.14	1.69	1.68	1.6	1.46
PIPE SIZE (mm)	3750	3750	7500	6000	5250	5250	5250	5250	4500	4500	4500	4500	3750	3000	3000	3000	3000	3000	3000	2250	2250	2250	2250
PIPE GRADE DATUM	1 in 16.9	1 in 23.8	1 in 65.2	1 in 50	1 in 50	1 in 66.7	1 in 107	1 in 109	1 in 47.7	1 in 48.4	1 in 66.7	1 in 66.7	1 in 70	1 in 37.7	1 in 45.2	1 in 53.1	1 in 66.1	1 in 100	1 in 145	1 in 44.9	1 in 45.2	1 in 50	1 in 60.2
DEPTH TO INVERT	2.169	1.970	2.200	2.043	1.704	1.065	1.065	1.065	1.800	1.710	1.650	1.650	1.884	1.884	1.687	1.687	1.542	1.492	1.542	1.509	1.509	1.509	1.435
H.G.L.	35.850	35.919	34.985	35.112	35.167	33.410	33.410	33.410	34.822	33.780	33.889	33.889	35.738	35.683	35.616	35.616	36.646	36.901	36.646	37.404	37.404	37.404	38.910
INVERT LEVEL	35.260	35.448	34.391	35.172	35.166	33.150	33.150	33.150	34.922	33.790	33.899	33.899	35.738	35.683	35.616	35.616	36.646	36.901	36.646	37.404	37.404	37.404	38.910
FINISHED SURFACE	37.418	37.395	36.621	37.418	37.395	34.205	34.205	34.205	37.418	37.395	37.395	37.395	39.188	39.188	39.188	39.188	39.188	39.188	39.188	39.227	39.227	39.227	40.345
EXISTING SURFACE	37.076	36.810	36.535	37.076	36.810	34.178	34.178	34.178	37.076	36.810	36.810	36.810	38.271	38.271	38.271	38.271	38.271	38.271	38.271	38.271	38.271	38.271	39.916
PIPE CHAINAGE (Reach Length)	0.000	7.518	0.000	7.525	7.525	0.000	0.000	0.000	13.030	15.227	28.222	34.715	40.143	46.154	62.588	76.407	87.922	92.248	100.235	109.379	111.845	120.400	151.508
	(7.518)		(7.525)			(13.030)	(2.197)	(12.995)	(6.493)	(5.427)	(6.011)	(16.434)	(13.819)	(11.515)	(12.313)	(100.235)	(9.145)	(11.845)	(11.845)	(11.845)	(11.845)	(11.845)	(11.845)



ISSUED FOR CONSTRUCTION

DESIGNED	C. DAWSON	22.12.2022
DRAWN	L. SUTHERLAND	
CHECKED	M. FELICIANO	12.10.2023
APPROVED	M. FELICIANO	12.10.2023
REG. NO.	PE0005645	
PS NUMBER	PS908401V	



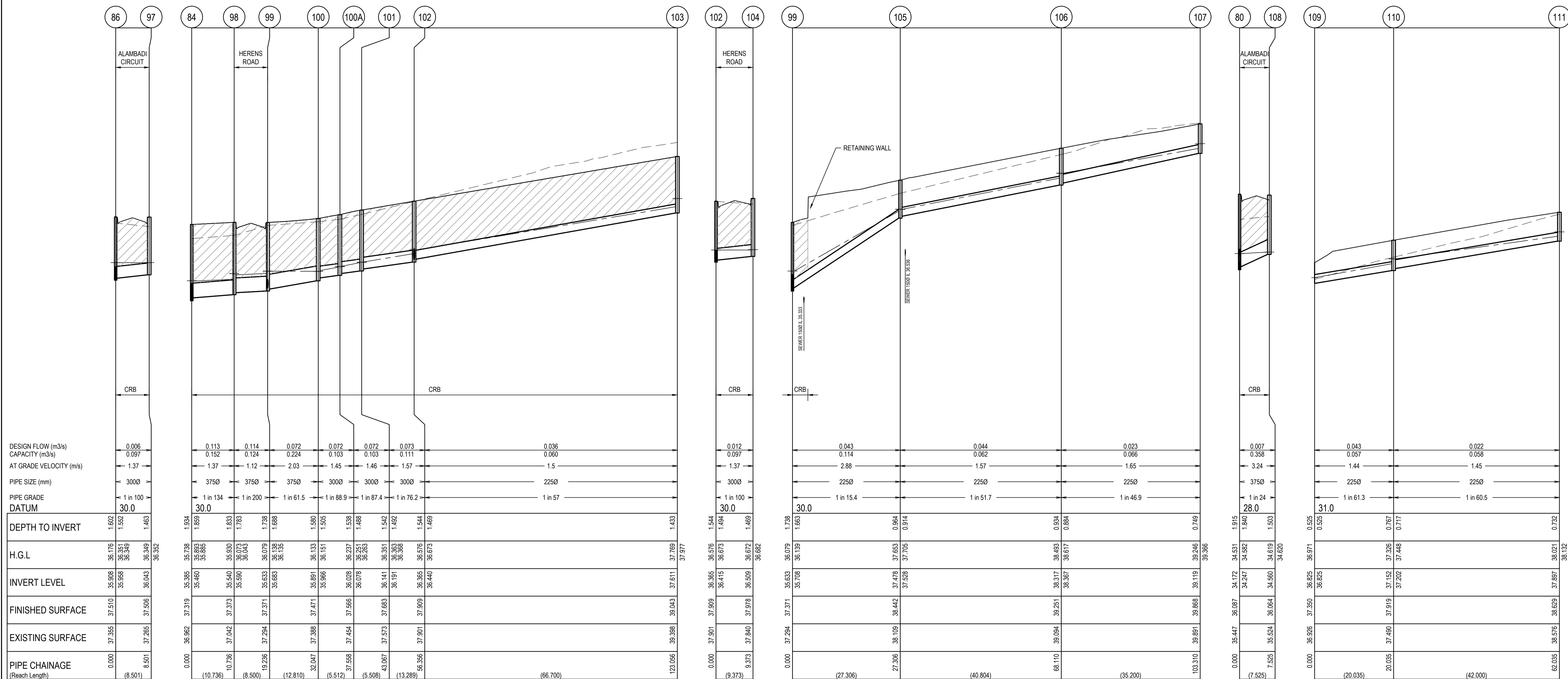
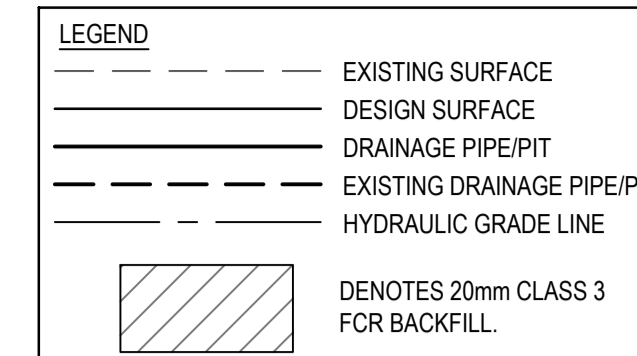
BW Beveridge Williams
 Development & Infrastructure Consultants
 1 Glenferrie Road Malvern VIC 3144
 ph: 03 9524 8888
 www.beveridgewilliams.com.au

Project Details
MERIDIAN CENTRAL ESTATE
 STAGE 45
 CITY OF CASEY
 Drawing Title
DRAINAGE LONGITUDINAL SECTIONS (SHEET 1 OF 3)

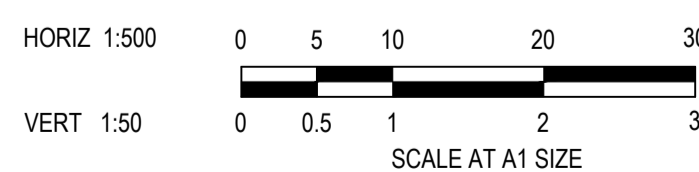
Sheet	19 of 22
Scale	1:500 H 1:50 V @ A1
Project Ref	1801767
Stage No	45
Drawing No	400
Rev	A

K:\Jobs Data\1801767 - Meridian_Eng\Stage 45\Drawings\1801767-45-400-DLS.dwg

NOTES:
ALL STORMWATER DRAINS UP TO AND INCLUDING 750mm DIA. ARE TO BE CLASS 2 R.R.J. PIPES UNLESS NOTED OTHERWISE.



DESIGN FLOW (m3/s)	0.006
CAPACITY (m3/s)	0.097
AT GRADE VELOCITY (m/s)	1.37
PIPE SIZE (mm)	3000
PIPE GRADE DATUM	1 in 100
DEPTH TO INVERT	30.0



ISSUED FOR CONSTRUCTION

© COPYRIGHT All rights reserved Beveridge Williams & Co. Pty Ltd has granted a licence to the principle to use this document for its intended purpose. No unauthorised copying is permitted.					
REV	DESCRIPTION	DATE	DRN.	APP.	REV.
A	ISSUED FOR CONSTRUCTION	06.06.23	M.F.	M.F.	



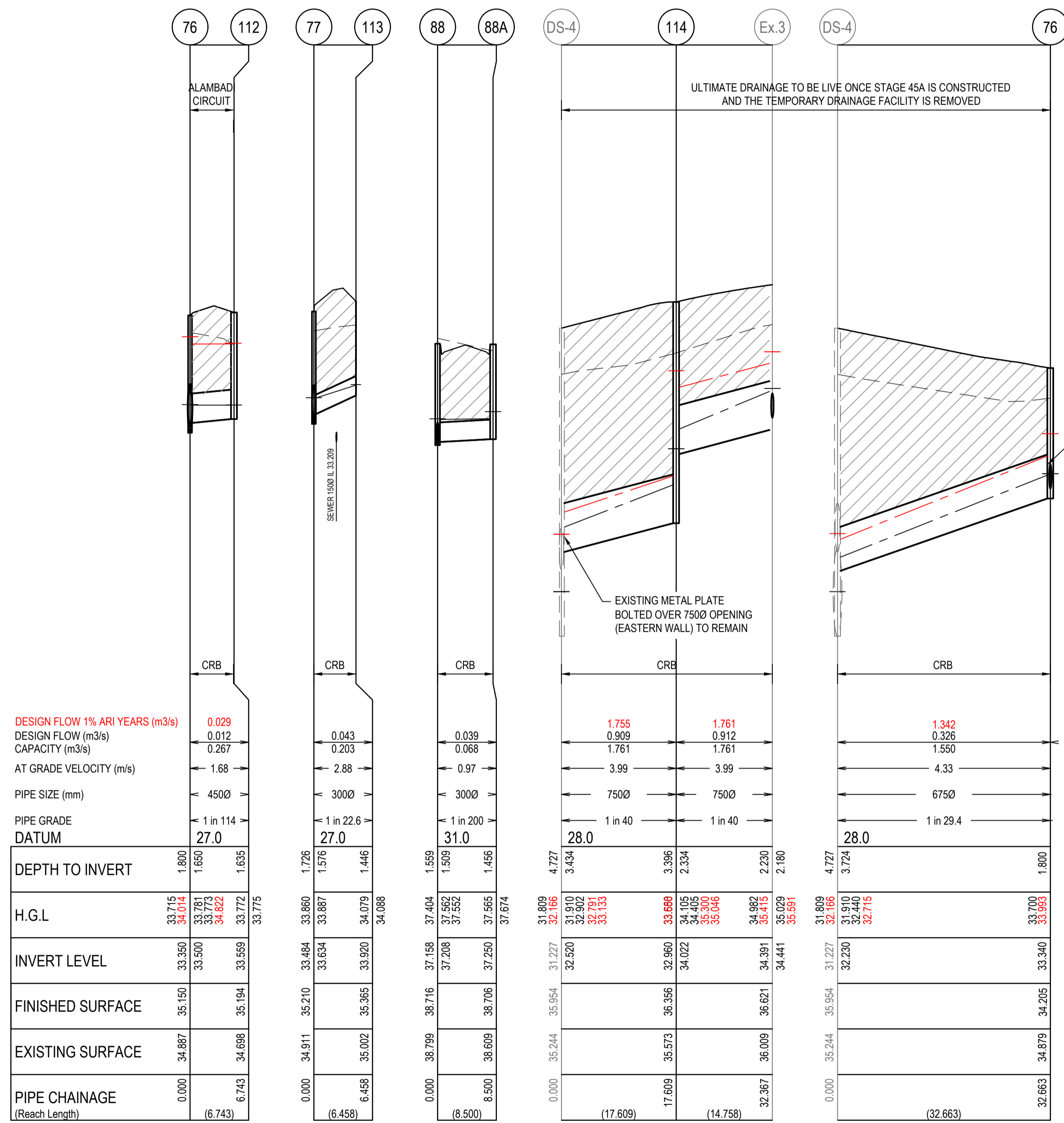
Designed: C.DAWSON
Date: 22.12.2022
Drawn: L.SUTHERLAND
Checked: M.FELICIANO
Date: 12.10.2023
Approved: M.FELICIANO
Reg. No: PE0005645
Date: 12.10.2023
PS Number: PS90840TV

BW Beveridge Williams
Development & Infrastructure Consultants
1 Glenferrie Road
Malvern VIC 3144
ph: 03 9524 8888
www.beveridgewilliams.com.au

Project Details
MERIDIAN CENTRAL ESTATE
STAGE 45
CITY OF CASEY

Drawing Title
DRAINAGE LONGITUDINAL SECTIONS
(SHEET 2 OF 3)

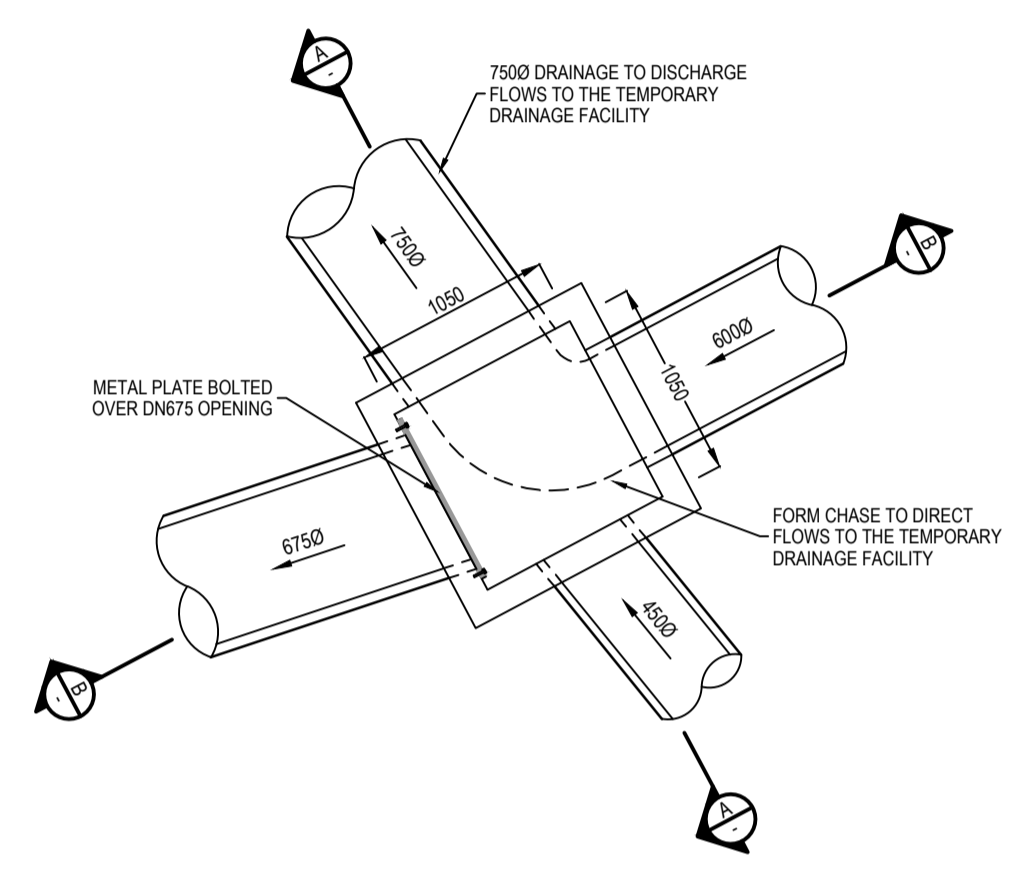
Sheet	20 of 22
Scale	1:500 H 1:50 V @ A1
Project Ref	1801767
Stage No	45
Drawing No	401
Rev	A



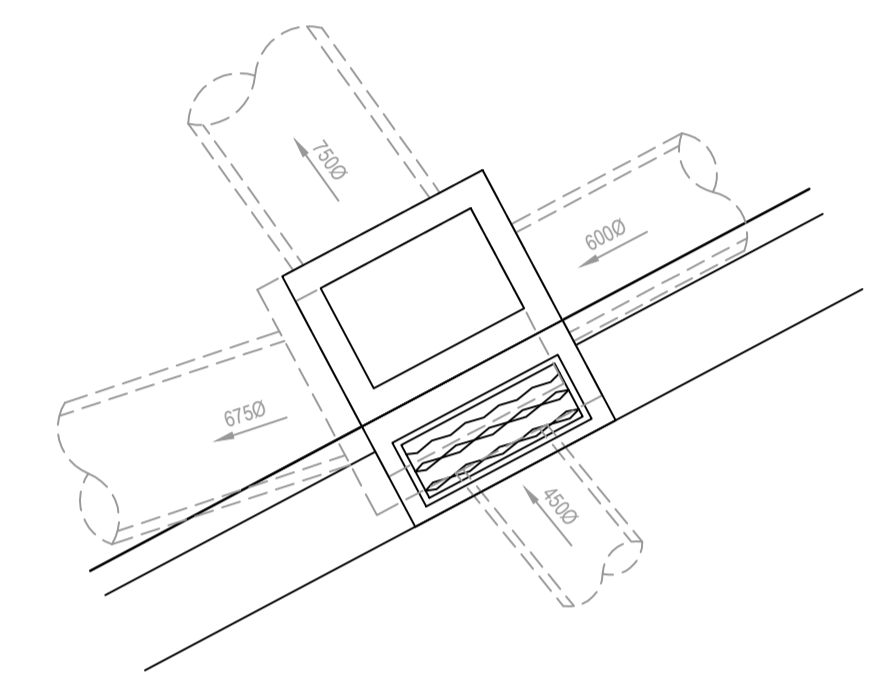
DESIGN FLOW 1% ARI YEARS (m ³ /s)	0.029
DESIGN FLOW (m ³ /s)	0.012
CAPACITY (m ³ /s)	0.267
AT GRADE VELOCITY (m/s)	1.68
PIPE SIZE (mm)	4500
PIPE GRADE DATUM	27.0
DEPTH TO INVERT	1.800
H.G.L.	33.715
INVERT LEVEL	33.350
FINISHED SURFACE	35.150
EXISTING SURFACE	34.887
PIPE CHAINAGE (Reach Length)	0.000

METAL PLATE BOLTED OVER 7500 OPENING (WESTERN WALL). REFER TO PIT DETAIL ON THIS SHEET

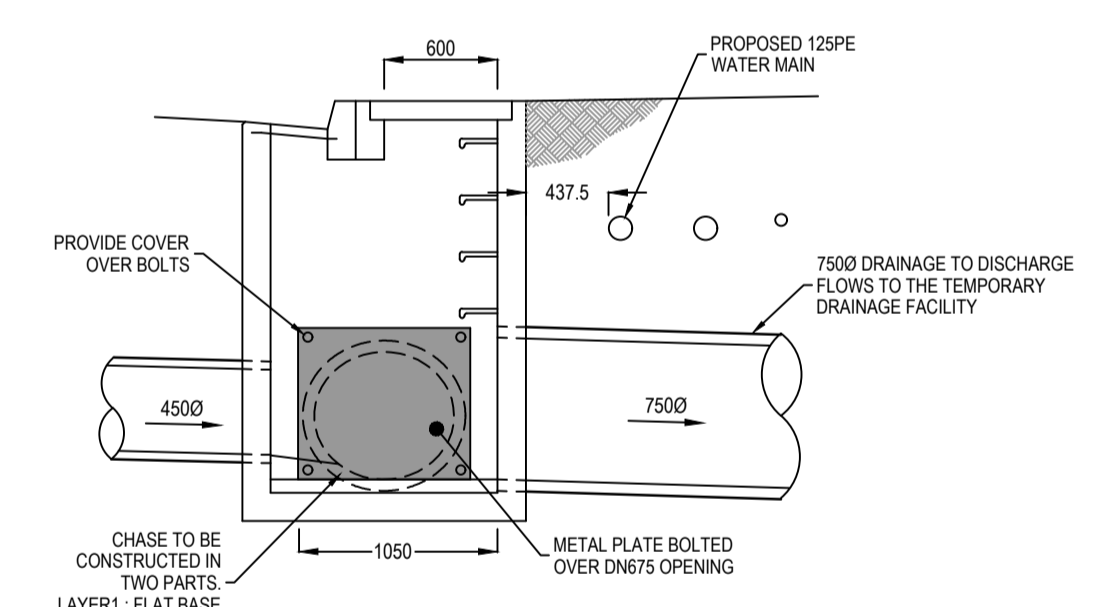
EXISTING METAL PLATE BOLTED OVER 7500 OPENING (EASTERN WALL) TO REMAIN



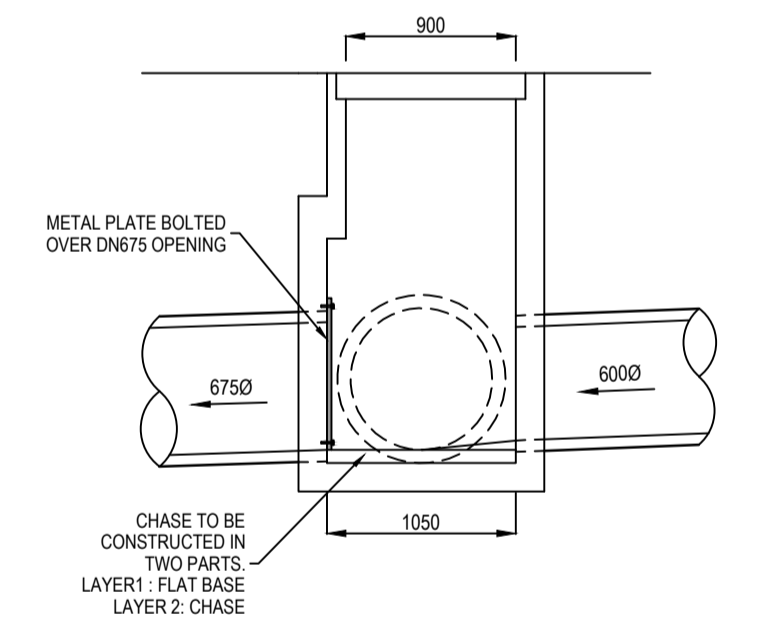
PIT 76 BASE DETAIL
SCALE 1:40 (A1)



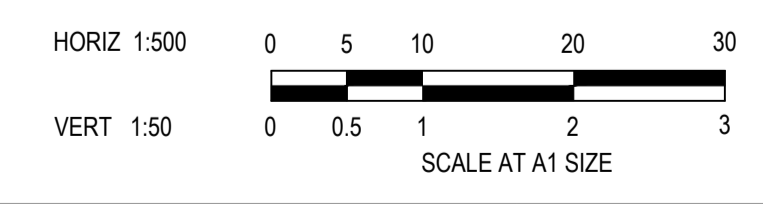
PIT 76 COVER DETAIL
SCALE 1:40 (A1)



SECTION A-A
SCALE 1:40 (A1)



SECTION B-B
SCALE 1:40 (A1)



ISSUED FOR CONSTRUCTION

© COPYRIGHT All rights reserved Beveridge Williams & Co. Pty Ltd has granted a licence to the principle to use this document for its intended purpose. No unauthorised copying is permitted.	
REV	DESCRIPTION
A	ISSUED FOR CONSTRUCTION



Designed: C.DAWSON
Date: 22.12.2022
Drawn: L.SUTHERLAND
Checked: M.FELICIANO
Date: 12.10.2023
Approved: M.FELICIANO
Reg. No: PE0005645
Date: 12.10.2023
PS Number: PS90840TV

BW Beveridge Williams
Development & Infrastructure Consultants
1 Glenferrie Road
Malvern VIC 3144
ph: 03 9524 8888
www.beveridgewilliams.com.au

Project Details
MERIDIAN CENTRAL ESTATE
STAGE 45
CITY OF CASEY

Drawing Title
DRAINAGE LONGITUDINAL SECTIONS
(SHEET 3 OF 3) & PIT DETAILS

Sheet	21 of 22
Scale	1:500 H 1:50 V @ A1
Project Ref	1801767
Stage No	45
Drawing No	402
Rev	A

K:\Jobs Data\1801767 - Meridian_Eng\Stage 45\Drawings\1801767-45-400-DLS.dwg

PIT SCHEDULE

PIT NUMBER	PIT TYPE	INTERNAL		INLET		OUTLET		COVER LEVEL (m)	DEPTH (m)	STANDARD DRAWING	REMARKS
		WIDTH (mm)	LENGTH (mm)	DIAMETER (mm)	INVERT LEVEL (m)	DIAMETER (mm)	INVERT LEVEL (m)				
Ex.3	EXISTING PIT			750	34.441	750	34.391	36.621	2.230		INSTALL SIDE ENTRY INLET UNIT AND CLASS B COVER
				375	34.578						
Ex.5	EXISTING PIT			675	35.335	750	35.260	37.418	2.158		INSTALL SIDE ENTRY INLET UNIT AND CLASS B COVER
				375	35.448						
73	GRATED SIDE ENTRY PIT	750	1000			375	35.891	37.395	1.504	VR SD 1322	CONNECT INTO EXISTING STUB
74	GRATED SIDE ENTRY PIT	750	1000			375	34.895	36.599	1.704	VR SD 1322	CONNECT INTO EXISTING STUB
75	MASS CONCRETE ENDWALL					750	33.150	33.960	1.055	VR SD 1821	INSTALL ROCK BEACHING FOR INLET PIPE TO TEMPORARY DRAINAGE FACILITY
76	GRATED ENTRY PIT	1050	1050	600	33.440	750	33.350	35.150	1.800	EDCM 601/605	HAUNCH PIT TO 600x900 & HAUNCH UNDER ROAD. REFER TO SHEET 402 FOR DETAILS
				450	33.500						
77	GRATED ENTRY PIT	900	900	525	33.559	600	33.484	35.210	1.726	EDCM 601	HAUNCH PIT TO 600x900 & HAUNCH UNDER ROAD
				300	33.634						
78	DOUBLE GRATED ENTRY PIT	750	900	525	33.869	525	33.819	35.564	1.745	EDCM 602	HAUNCH PIT TO 600x900 & HAUNCH UNDER ROAD
79	JUNCTION PIT	750	900	525	34.016	525	33.966	35.713	1.747	EDCM 605	HAUNCH PIT TO 600x900 & HAUNCH UNDER ROAD
79A	JUNCTION PIT	750	900	525	34.117	525	34.067	35.893	1.826	EDCM 605	HAUNCH PIT TO 600x900 & HAUNCH UNDER ROAD
80	DOUBLE GRATED ENTRY PIT	750	900	450	34.247	525	34.172	36.087	1.915	EDCM 602	HAUNCH PIT TO 600x900 & HAUNCH UNDER ROAD
				375	34.247						
81	JUNCTION PIT	750	900	450	34.642	450	34.592	36.449	1.858	EDCM 605	HAUNCH PIT TO 600x900 & HAUNCH UNDER ROAD
82	JUNCTION PIT	750	900	450	34.977	450	34.927	36.742	1.815	EDCM 605	HAUNCH PIT TO 600x900 & HAUNCH UNDER ROAD. PROVIDE HEAVY DUTY COVER
83	JUNCTION PIT	750	900	450	35.200	450	35.150	36.987	1.836	EDCM 601	HAUNCH PIT TO 600x900 & HAUNCH UNDER ROAD. PROVIDE HEAVY DUTY COVER
84	GRATED ENTRY PIT	600	900	375	35.435	450	35.385	37.319	1.934	EDCM 601	
				375	35.460						
85	GRATED ENTRY PIT	600	900	300	35.616	375	35.566	37.303	1.737	EDCM 601	
86	GRATED ENTRY PIT	600	900	300	35.958	300	35.908	37.510	1.602	EDCM 601	
				300	35.958						
87	JUNCTION PIT	600	900	300	36.696	300	36.646	38.188	1.542	EDCM 605	
88	GRATED ENTRY PIT	600	900	300	37.208	300	37.158	38.716	1.559	EDCM 605	REFER TO S-331 SIDE ENTRY DRIVEWAY CONVERSION FOR DRAINAGE PIT IN DRIVEWAY WITH NO BULLNOSE
				300	37.208						
89	JUNCTION PIT	600	900	300	37.382	300	37.332	39.041	1.709	EDCM 605	
90	GRATED ENTRY PIT	600	900	300	37.502	300	37.452	39.166	1.713	EDCM 601	
91	GRATED ENTRY PIT	600	900	225	37.643	300	37.568	39.237	1.669	EDCM 601	
91A	JUNCTION PIT	600	900	225	37.822	225	37.772	39.362	1.590	EDCM 605	
92	JUNCTION PIT	600	900	225	38.001	225	37.951	39.488	1.536	EDCM 605	
93	JUNCTION PIT	600	900	225	38.178	225	38.128	39.596	1.467	EDCM 605	
				225	38.178						
94	JUNCTION PIT	600	900			225	38.838	40.271	1.433	EDCM 605	
95EP	ENDPIPE			225	39.520	225	39.520	40.276	0.756		CONNECT INTO EXISTING STUB
88A	GRATED ENTRY PIT	600	900			300	37.250	38.706	1.456	EDCM 601	
97	GRATED SIDE ENTRY PIT	600	900			300	36.043	37.506	1.463	VR SD 1322	
98	JUNCTION PIT	600	900	375	35.590	375	35.540	37.373	1.833	EDCM 605	
99	JUNCTION PIT	600	900	375	35.683	375	35.633	37.371	1.738	EDCM 605	
				225	35.708						
100	JUNCTION PIT	600	900	300	35.966	375	35.891	37.471	1.581	EDCM 605	
100A	JUNCTION PIT	600	900	300	36.078	300	36.028	37.566	1.538	EDCM 605	
101	JUNCTION PIT	600	900	300	36.191	300	36.141	37.683	1.542	EDCM 605	
102	GRATED ENTRY PIT	600	900	225	36.440	300	36.365	37.909	1.544	EDCM 601	
				300	36.415						
103	JUNCTION PIT	600	900			225	37.611	39.043	1.433	EDCM 605	
104	GRATED ENTRY PIT	600	900			300	36.509	37.978	1.469	EDCM 601	
105	JUNCTION PIT	600	900	225	37.528	225	37.478	38.442	0.964	EDCM 605	
106	JUNCTION PIT	600	900	225	38.367	225	38.317	39.251	0.934	EDCM 605	
107	JUNCTION PIT	600	900	225	39.119	225	39.119	39.868	0.749	EDCM 605	
108	GRATED SIDE ENTRY PIT	600	900	375	34.560	375	34.560	36.064	1.503	VR SD 1322	
109	MASS CONCRETE ENDWALL					225	36.825	37.350	0.525	VR SD 1821	INSTALL ROCK BEACHING FOR INLET PIPE TO TEMPORARY DRAINAGE FACILITY
110	JUNCTION PIT	600	900	225	37.202	225	37.152	37.919	0.767	EDCM 605	
111	JUNCTION PIT	600	900	225	37.897	225	37.897	38.629	0.732	EDCM 605	
112	DOUBLE GRATED SIDE ENTRY PIT	600	900	450	33.559	450	33.559	35.194	1.635	VR SD 1322	
113	ENDPIPE					300	33.920	35.365	1.446		CAP FOR FUTURE CONNECTION
114	GRATED ENTRY PIT	1050	900	750	34.022	750	32.960	36.356	3.396	EDCM 601	HAUNCH PIT TO 600x900 & HAUNCH UNDER ROAD
DS-4	EXISTING PIT			675	32.916			35.965	4.735		CONNECT INTO EXISTING STUB AND INSTALL CLASS B COVER

ISSUED FOR CONSTRUCTION

© COPYRIGHT All rights reserved Beveridge Williams & Co. Pty Ltd has granted a licence to the principle to use this document for its intended purpose. No unauthorised copying is permitted					
REV	DESCRIPTION	DATE	DRN	APP	REV
B	PIT SCHEDULE UPDATED	30.06.23	M.F	M.F	
A	ISSUED FOR CONSTRUCTION	06.06.23	M.F	M.F	



Designed Date	C.DAWSON 22.12.2022
Drawn	L.SUTHERLAND
Checked Date	M.FELICIANO 12.10.2023
Approved Reg. No. Date	M.FELICIANO PE0005645 12.10.2023
PS Number	PS908401V

BW Beveridge Williams
Development & Infrastructure Consultants

1 Glenferrie Road
Malvern VIC 3144
ph: 03 9524 8888
www.beveridgewilliams.com.au

Project Details	MERIDIAN CENTRAL ESTATE STAGE 45 CITY OF CASEY
Drawing Title	PIT SCHEDULE

Sheet	22 of 22
Scale	NOT TO SCALE
Project Ref	1801767
Stage No	45
Drawing No	403
Rev	B