

AA8876

Memorandum of Common Provisions

Section 91 Transfer of Land Act 1958

Privacy Collection Statement

The information from this form is collected by the Registrar of Titles under statutory authority and is used for the purpose of maintaining publicly searchable registers and indexes.

Lodged By:

Name: KHS LAWYERS
Phone: 03 9111 0132
Address: PO Box 7677 Melbourne 3004
Reference: KH:15/0745 Meridian Stage 43 MCP
Customer Code: 15954B

This memorandum contains provisions which are intended for inclusion in instruments and plans to be subsequently lodged for registration.

Provisions

PRELIMINARY

- A. This MCP has been prepared by or on behalf of Meridian in order to regulate the siting, form and design of residential development in accordance with the Meridian Design Guidelines.
- B. This MCP, in conjunction with the plan of subdivision provides the information necessary to interpret the approved building envelopes.
- C. Some of the matters addressed in this MCP are not covered by or are amendments to the Regulations and Scheme or Code (as they may apply to each particular lot).
- D. This MCP is retained by the Registrar of Titles pursuant to section 91(A) of the Transfer of Land Act.

PROVISIONS

1. Small Lot Housing Code

Lots identified as Type A or Type B on the building envelope plans are lots to which the Code applies.

2. Any building:

- a) to be constructed on lots to which this MCP applies; and
- b) for which the construction would require a building permit,
must be sited within the approved building envelope subject to:
- c) any specific encroachments allowed outside the approved building envelope pursuant to this MCP; and
- d) the restrictions imposed by this MCP, the plan of subdivision and any other applicable control.

TEXT OF RESTRICTIONS

1. **Edge Lots (Regulation 71 and clause 56.04-2)**

Regulation 71 in Part 5 of the Regulations and clause 56.04-2 in the Scheme, apply to each Edge Lot irrespective of Sections 2 to 6 of this MCP.

MCP

1. The provisions are to be numbered consecutively from number 1.
2. Further pages may be added but each page should be consecutively numbered.
3. To be used for the inclusion of provisions in instruments and plans.

2. Minimum street setbacks (regulation 74 in Part 5 of the Regulations and clause 54.03-1 of the Scheme or Clause 2 of Part 1 of the Code)

- 2.1. The building on a lot must be set back from a street frontage boundary in accordance with the applicable setback identified in the building envelope plans
- 2.2. Where a side boundary abuts a street or public open space, a building may encroach up to 300 millimetres into the setback specified in the building envelope plan for maximum length of 10 per cent of the building wall facing that side street.
- 2.3. Balconies, pergolas, verandahs, porches, covered walkways and porticos, façade treatments and/or covered balconies or verandahs on the second storey of a building that are less than 6.9m above natural ground level may encroach not more than 1.0 metre into the minimum front setback and the minimum secondary frontage setback specified in the building envelope plan.

Pergolas, verandahs, porches, covered walkways, façade treatments and porticos that are less than 3.6m above natural ground level may encroach not more than 1.0 metre into the minimum front setback and the minimum secondary frontage setback specified in the building envelope plan

- 2.4. Eaves, fascias and gutters not exceeding 600mm in total width may encroach into the setback specified in the building envelope plan for a front boundary and/or a boundary which abuts a street or public open space.

Garages

- 2.5. For **rear loaded lots** any garage must be constructed to allow vehicle access from the boundary so marked on the building envelope plan.
- 2.6. For all lots other than **rear loaded or side loaded lots**:
 - 2.6.1. garage openings may not occupy:
 - 2.6.1.1. with respect to lots with an area between 250 and 300 square metres and on which a two or more storey dwelling is constructed, more than 30% of the area of the front façade of the dwelling, with the area of the front façade measured from a two-dimensional (2-D) elevation plan excluding any area of the roof of the dwelling;
 - 2.6.1.2. with respect to all other lots, 40% of the width of the lot frontage;
 - 2.6.2. unless clause 2.6.3 applies:
 - 2.6.2.1. for lots with a building envelope which allows a front setback of 3 metres, the garage or carport must be set back a minimum of 5 metres from the front boundary; and
 - 2.6.2.2. all other lots the garage or carport must be set back a minimum of 5.5 metres from the front boundary;
 - 2.6.3. if a building envelope plan for a lot allows for an alternate garage set back to clause 2.6.2., garages on those lots must not be setback between 3 and 5 metres from the front boundary;
 - 2.6.4. garages and must be setback a minimum of 840 millimetres behind the front wall of the dwelling.



- 1. The provisions are to be numbered consecutively from number 1.
- 2. Further pages may be added but each page should be consecutively numbered.
- 3. To be used for the inclusion of provisions in instruments and plans.

3. **Side and rear setbacks (regulation 79 in Part 5 of the Regulations and clause 54.04-1 in the Scheme or Clause 7 of Part 1 of the Code)**
 - 3.1. The building on a lot must be set back from side and rear boundaries in accordance with the applicable setback profiles as identified in the building envelope plans.
 - 3.2. If a lot is shown with a profile identifier codes A and B on opposite boundaries, the codes may be interchanged.
 - 3.3. the following building elements may encroach up to 500 millimetres into the minimum side and rear setbacks specified in the building envelope plans:
 - 3.3.1. verandahs, porches, covered walkways;
 - 3.3.2. masonry chimneys, flues and pipes;
 - 3.3.3. sunblinds and screens (to the extent necessary to protect the neighbouring property from a direct view);
 - 3.3.4. fuel tanks and water tanks; and
 - 3.3.5. heating and cooling equipment and other services
 - 3.4. The following building elements may encroach into the minimum side and rear setback specified in the building envelope plans:
 - 3.4.1. pergolas and shade sails;
 - 3.4.2. landings with a maximum area of 2 square metres and a maximum height of 1 metre;
 - 3.4.3. unroofed stairways and ramps;
 - 3.4.4. outbuildings not exceeding 12 square metres in area and 2.5 metres in height; and
 - 3.4.5. eaves, fascias and gutters not exceeding 600mm in total width.
 - 3.5. In addition to the above requirements, where there is an irregularly shaped lot adjacent to an electrical substation, the proposed dwelling wall may encroach into the minimum side and rear setback specified in the building envelope plans by a maximum of 500 millimeters for a wall direction adjacent to an electrical substation reserve, without further consent of the Responsible Authority (Council).

4. **Walls on boundaries (regulation 80 in Part 5 of the Regulations and clause 54.04-2 in the Scheme or Clause 8 of Part 1 of the Code)**
 - 4.1. Construction within 200mm of a boundary is only permitted where the setback profiles identified in the building envelope plans indicate a building area on the boundary.
 - 4.2. For lots to which the Code applies, a wall constructed on a side or rear boundary of a lot can extend a maximum total length of:
 - 4.2.1. 60% of the total length of the side boundary; or
 - 4.2.2. the length of any simultaneously constructed abutting wall,
 whichever is the greater.

5. **Overlooking (regulation 84 in Part 5 of the Regulations and clause 54.04-6 in the Scheme or Clause 12 of Part 1 of the Code)**

MCP

1. The provisions are to be numbered consecutively from number 1.
2. Further pages may be added but each page should be consecutively numbered.
3. To be used for the inclusion of provisions in instruments and plans.

- 5.1. If a habitable room window, deck or raised open space is within an overlooking control area shown on the applicable setback profiles identified in the building envelope plans, it must be screened to 1.7m above finished floor level.

6. Fencing

- 6.1. Fencing plans must be submitted to and approved by the DRC as part of the design approval process set out in the Meridian Design Guidelines.
- 6.2. All boundary fencing must be constructed prior to occupancy of any dwelling constructed on the Lot
- 6.3. Front Fencing
 - 6.3.1. Except for lots marked with a front fence identifier code on the building envelope plans, front fences are prohibited.
 - 6.3.2. For lots marked with a front fence identifier code on the building envelope plans, front fencing approved by the DRC may be erected.
 - 6.3.3. If the lot is being used as a Display Home at the time of DRC approval, the front fence must be removed and any necessary remedial works performed to the front landscaping at the conclusion of the legal use of the lot as a Display Home.
- 6.4. Side and Rear Fencing
 - 6.4.1. For all lots, side and rear fencing (except for rear fences on **rear loaded lots** where the rear boundary abuts a reserve, or fencing along the secondary street frontage of a corner lot, or fencing along the side boundary which is shared with the rear boundary of a corner lot) must:
 - 6.4.1.1. be constructed from capped timber palings with exposed timber posts (75mm x 125mm);
 - 6.4.1.2. not exceed 1.95 metres in height;
 - 6.4.1.3. finish a minimum of 1 metre behind each side of the front façade (not including the entry feature/porch);
 - 6.4.2. at the required point of finish behind the front façade, each side boundary fence must return at 90 degrees to abut the dwelling. Return fences must be constructed to match the boundary fencing or from timber slats and must be setback to allow for access to the meter boxes;
 - 6.4.3. side boundary fencing along the **secondary street frontage** of a corner lot must:
 - 6.4.3.1. be constructed from capped timber palings with exposed timber posts (75mm x 125mm);
 - 6.4.3.2. not exceed 1.95 metres in height;
 - 6.4.3.3. finish at least 3 metres behind the front façade of the dwelling and behind the corner treatment, whichever is the greater.



1. The provisions are to be numbered consecutively from number 1.
2. Further pages may be added but each page should be consecutively numbered.
3. To be used for the inclusion of provisions in instruments and plans.

- 6.4.4. For **rear loaded lots** where the rear boundary abuts a reserve, the fencing on the boundary abutting the reserve must:
 - 6.4.4.1. be constructed from capped timber palings with exposed timber posts (75mm x 125mm);
 - 6.4.4.2. not exceed 1.95 metres in height;
 - 6.4.4.3. be approved by the DRC and constructed to the requirements of the Planning Permit and any endorsed plan forming part of that Planning Permit.
- 6.4.5. For Lots which directly abut a Tree Reserve the fencing on the boundary abutting the reserve must:
 - 6.4.5.1. Be built in accordance with the specifications of the City of Casey Standard Tree Reserve Fence which is contained as an appendix to the Meridian Design Guidelines.

7. Dwelling Design Approval

- 7.1. The design of any building or structure to be constructed on a lot within 8 years of the registration of the plan of subdivision creating the lot must:
 - 7.1.1. comply with the Meridian Design Guidelines; and
 - 7.1.2. receive approval of all plans and specifications by Meridian Estate Design Assessment Panel c/-Brown Property Group, Level 5, 523 Burwood Road, Hawthorn, Victoria, 3122 prior to a building permit being procured for any such building or structure.

7.2. Orientation of Dwelling on rear loaded lots

The dwelling constructed on a **rear loaded lot** must be designed to address the boundary of the lot opposite that which is marked for vehicular access to the garage, with pedestrian access (the entry) facing this boundary (ie. to address the boundary abutting the reserve or primary road frontage, as the case may be).

8. Driveways

- 8.1. A driveway must be fully constructed prior to occupancy of any dwelling constructed on the Lot.
- 8.2. The driveway must be constructed of exposed aggregate, pavers, stamped or stenciled surfacing or coloured concrete as approved by the DRC.
- 8.3. The driveway must be setback at least 400 millimetres from the nearest side boundary to allow for the establishment of landscaped garden along that side boundary.
- 8.4. Relocation of a driveway crossover or, addition of a driveway crossover to a corner lot, is permitted with the written approval of DRC and Casey City Council. Relocated crossovers must be constructed at the lot owners expense to the specification of Casey City Council and be of the same finish as that originally provided by Meridian.

9. Permission to construct contrary to these MCPs and any Building Envelope

The requirements of these MCPs, and building envelopes may be varied with the consent of the Responsible Authority.

MCP

1. The provisions are to be numbered consecutively from number 1.
2. Further pages may be added but each page should be consecutively numbered.
3. To be used for the inclusion of provisions in instruments and plans.

Notes on this MCP

In the case of conflict between the building envelope plans and these written notations, the specifications in the written notations prevail.

Ground level after engineering works associated with subdivision is to be regarded as natural ground level.

Buildings must not cover registered easements unless approved by the relevant authority.

The construction of a building which is contrary to the requirements of this MCP may occur with the written consent of Meridian and the Responsible Authority, where consent of the Responsible Authority is required by the Scheme, any planning permit affecting the lot or by operation of the law.

General definitions

In this MCP:

approved building envelope means the building envelope shown for a particular lot in the building envelope plans and has the same meaning as in regulation 406 of the Regulations;

building has the same meaning as in the Building Act;

Building Act means the act of the Victorian Parliament known as the Building Act 1993 and any re-enactment or replacement of that act;

building envelope means an area within each lot (defined by the particular lot setbacks) where development of a dwelling, shed, garage is allowed subject to the particular provisions of this MCP, the plan of subdivision and the Scheme;

building envelope plans means the plans which are included in this MCP from page 8 onwards and which show the approved building envelopes, setback requirements and other related matters for individual lots within the plan of subdivision;

building permit means a building permit in terms of the Building Act;

Code means the Small Lot Housing Code incorporated as a document in the Scheme;

control includes a restriction in terms of the Subdivision Act 1988, an agreement under section 173 of the Planning and Environment Act 1987 (PE Act), a provision of an Act (other than the Building Act), a regulation (other than the Building Regulations), a requirement of a referral authority (in terms of section 55 of the PE Act) or an order of a Court or tribunal, which relates to the siting of a Building;

DRC means the Meridian Design Review Committee appointed by Meridian and comprising representative of developer and a qualified architect for the purposes of assessing compliance by Lot owners with the Meridian Design Guidelines;

dwelling has the same meaning as in the Scheme;

Edge lots are those lots that are part of the same certified plan of subdivision but share one or more common boundaries with or otherwise adjoin a lot that is not part of the same certified plan of subdivision.

frontage has the same meaning as in the Scheme;

height has the same meaning as in the Regulations;

lot has the same meaning as in the Building Act;

MCP means this memorandum of common provisions;

MCP

1. The provisions are to be numbered consecutively from number 1.
2. Further pages may be added but each page should be consecutively numbered.
3. To be used for the inclusion of provisions in instruments and plans.

Meridian means Meridian Clyde Pty Ltd ACN 130 125 030 or any associated entity or related body corporate of Meridian;

Meridian Design Guidelines means the design guidelines prepared by Meridian and Brown Property Group, as amended from time to time

on the boundary means a setback of up to 200 millimetres from the lot / property title boundary is deemed to be on the boundary;

plan of subdivision means the plan of subdivision to which this MCP is incorporated by way of a restrictions on that plan of subdivision;

Primary frontage is the boundary with the greater setback on the Building Envelope Plan

rear loaded lot means a lot on the building envelope plan bearing the identifier code “RL” on the building envelope plans;

Regulations means the Building Regulations 2006 or any subsequent regulations made pursuant to the Building Act which relate the siting of a Building;

reserve has the meaning given to it in the *Subdivision Act 1988 (Vic)*;

Scheme means the planning scheme of the local authority responsible for the land contained within the plan of subdivision;

Secondary Frontage is any boundary that abuts a road or reserve, other than the primary frontage

setback has the same meaning as in the Regulations;

side boundary means a boundary of a lot that runs between and connects the street frontage of the lot to the rear boundary of the lot;

Side Loaded means a lot whereby the garage opening addresses the secondary frontage. This is usually a corner lot.

Small Lot Housing Code refers to the Small Lot Housing Code incorporated in the Scheme pursuant to Clause 81 of the Scheme;

storey has the same meaning as in the Scheme;

street, for the purposes of determining street setbacks, means any road other than a footway or carriageway easement;

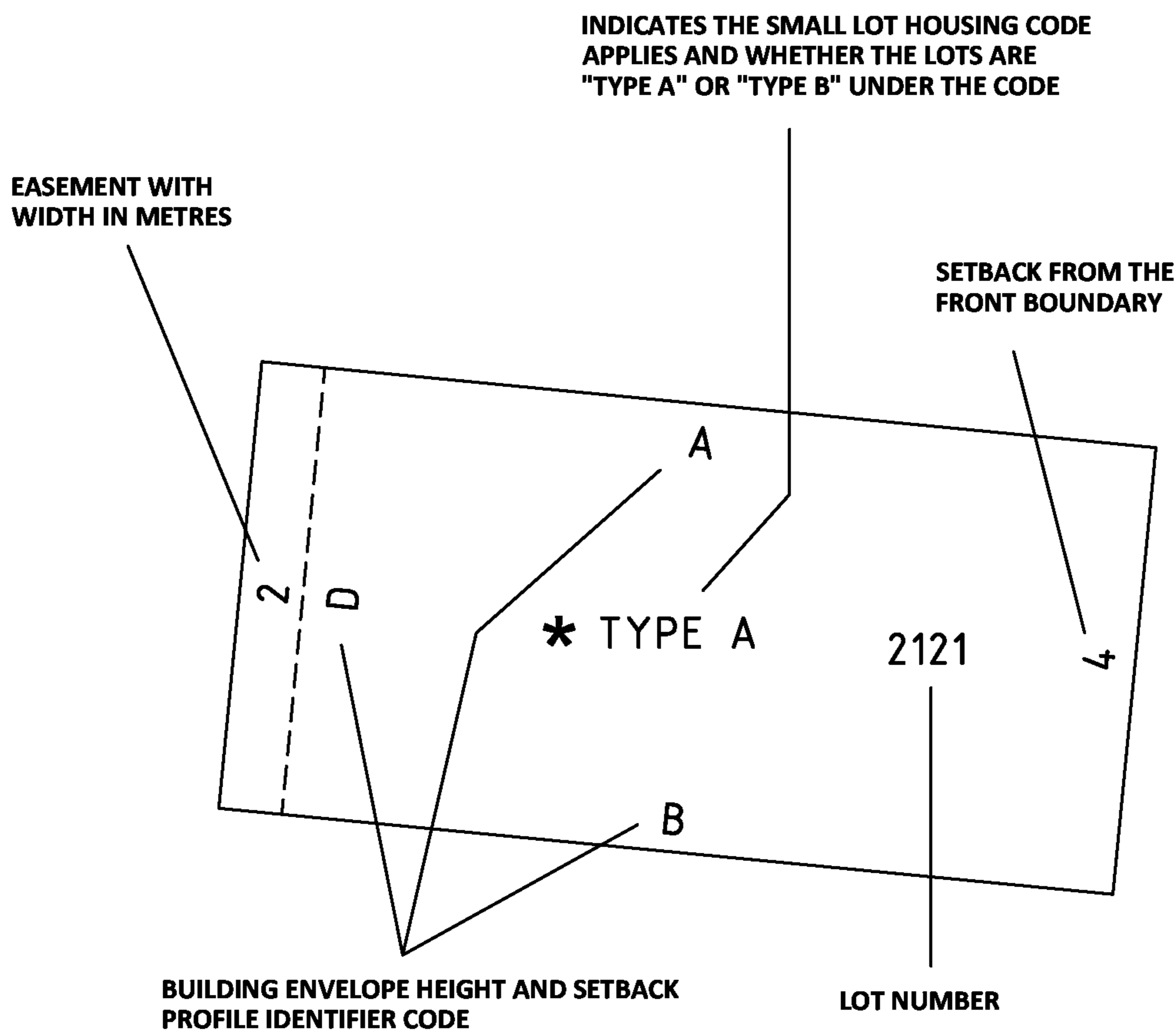
Type A on a building envelope plan denotes that the lot is one to which the provisions of the Small Lot Housing Code relating to Type A allotments applies; and

Type B on a building envelope plan denotes that the lot is one to which the provisions of the Small Lot Housing Code relating to Type B allotments applies.

MCP

1. The provisions are to be numbered consecutively from number 1.
2. Further pages may be added but each page should be consecutively numbered.
3. To be used for the inclusion of provisions in instruments and plans.

DIAGRAMS ILLUSTRATING THE INTERPRETATION OF THE BUILDING ENVELOPE AND THE ANNOTATION WITH RESPECT TO ALL EDGE LOTS IN THIS STAGE DEVELOPMENT



Beveridge Williams
 development & environment consultants
 Melbourne ph : 03 9524 8888
 www.beveridgewilliams.com.au

Ref: 1801767/43 Ver G
 1801767-43-BE-Ver G.dwg

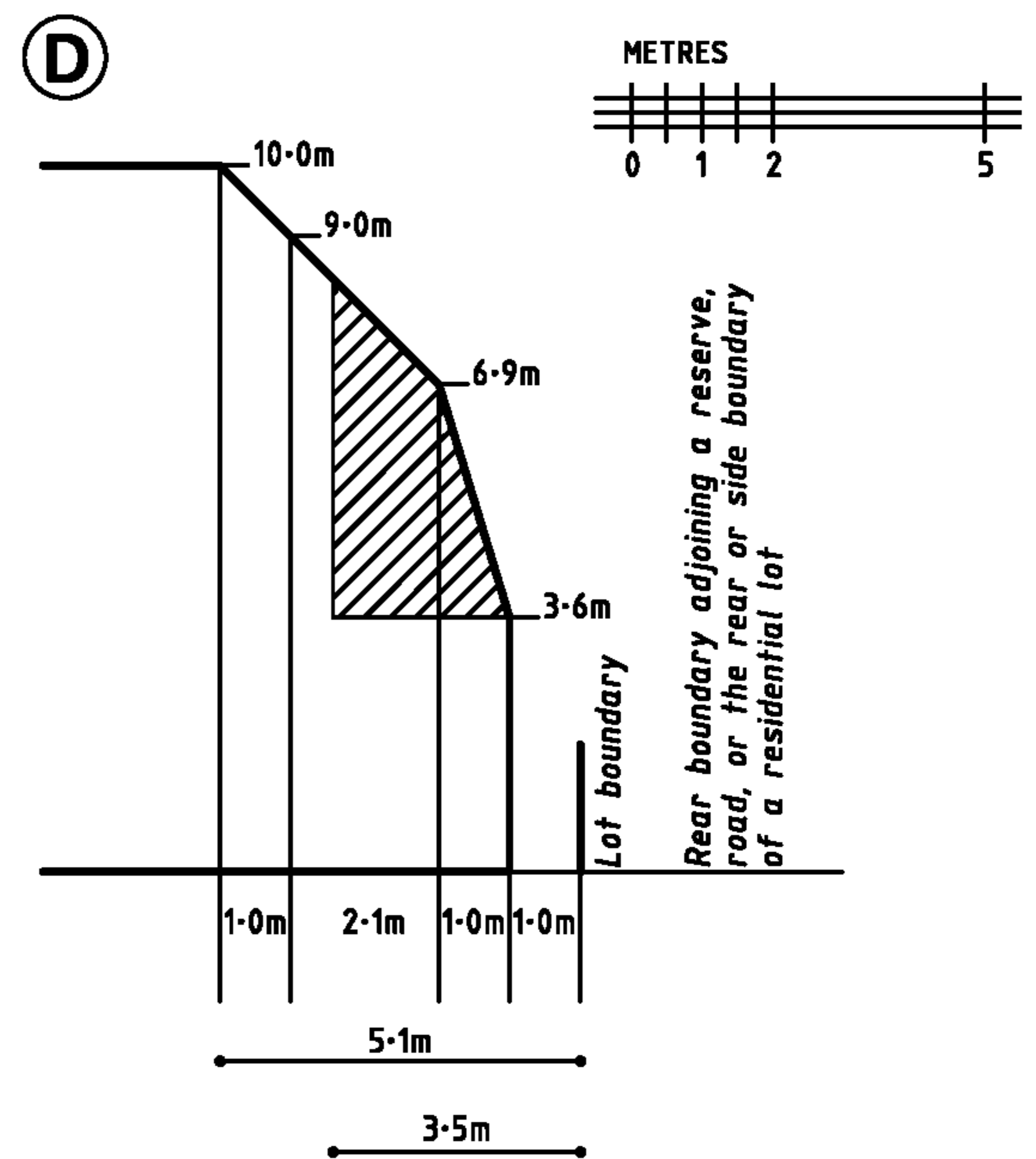
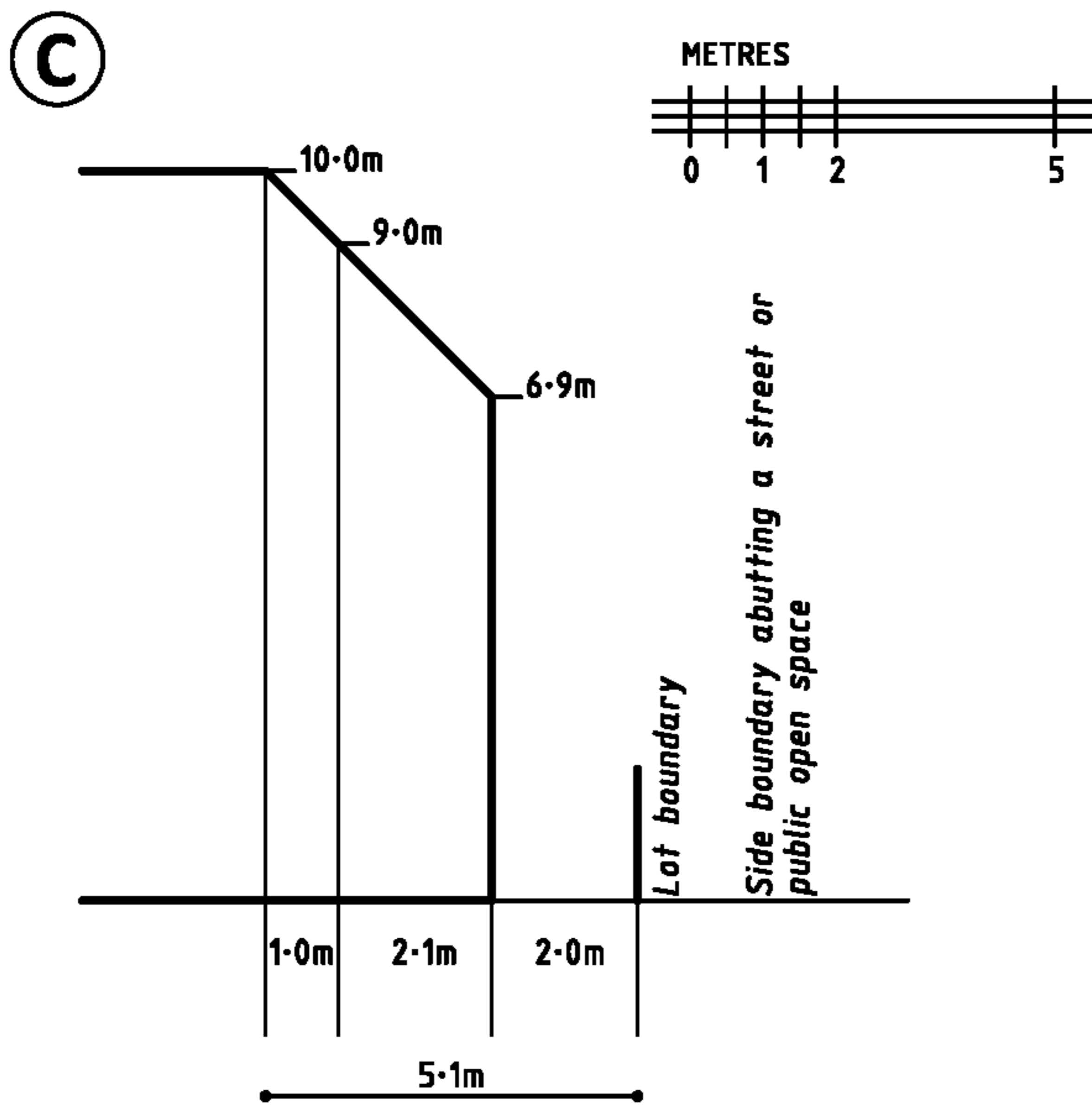
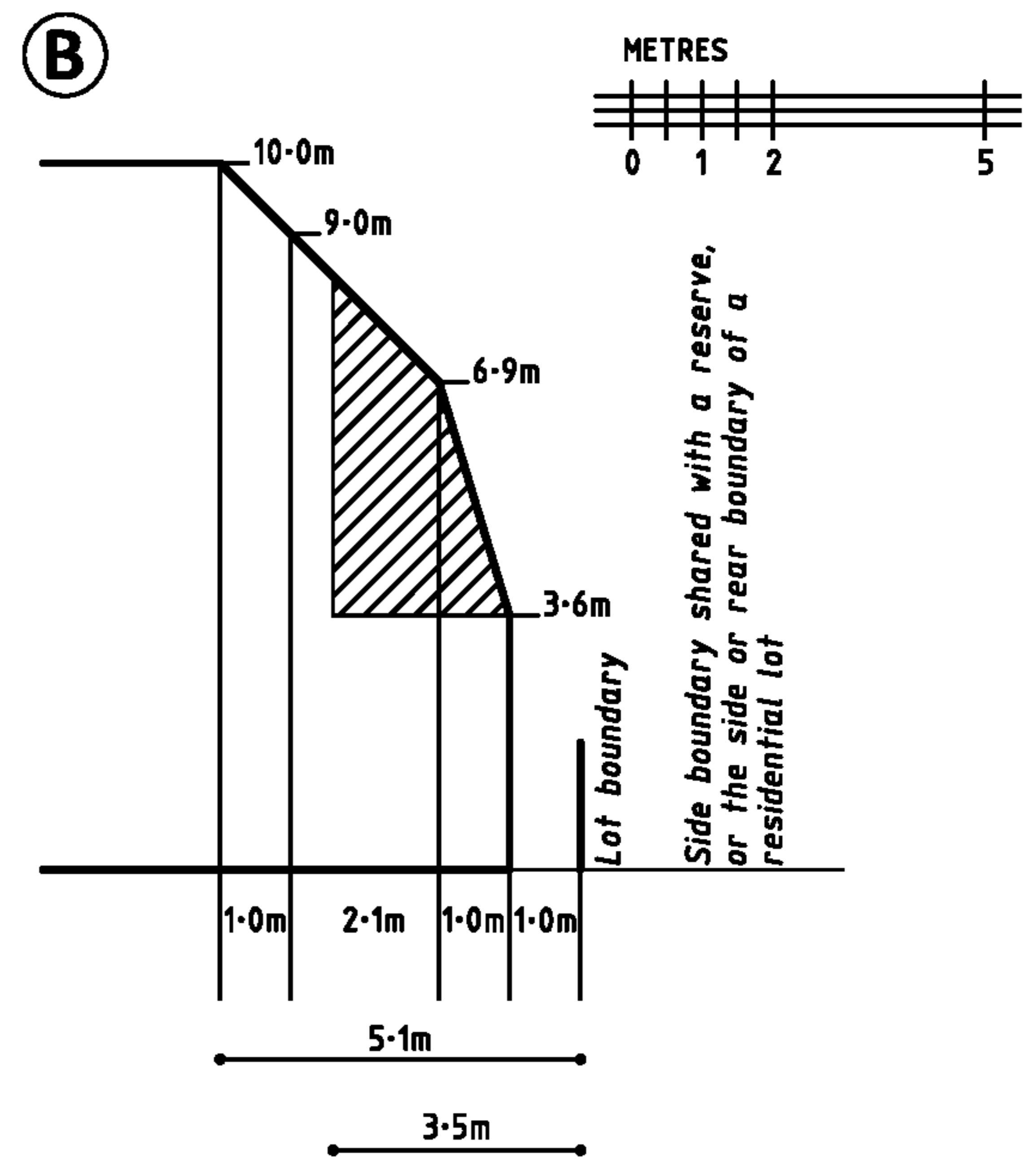
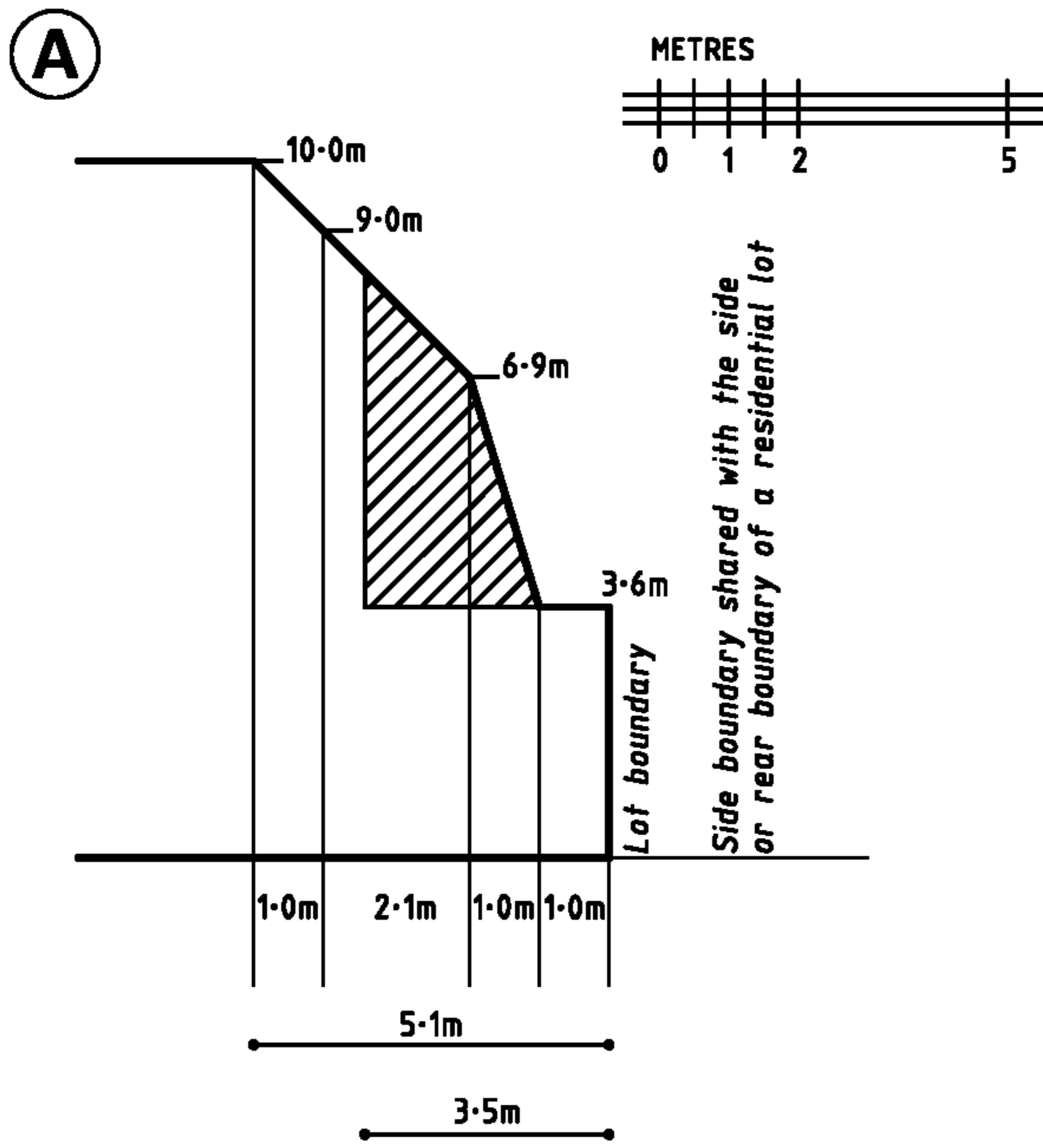
MCP

1. The provisions are to be numbered consecutively from number 1.
2. Further pages may be added but each page should be consecutively numbered.
3. To be used for the inclusion of provisions in instruments and plans.

THE BACK OF THIS FORM MUST NOT BE USED

Land Victoria, 570 Bourke Street, Melbourne, 3000, Phone 8636-2010

BUILDING HEIGHT AND SETBACK PROFILES REFERENCED IN BUILDING ENVELOPE DIAGRAM



EASEMENT REQUIREMENT

WHERE A PROFILE WHEN APPLIED COVERS AN EASEMENT, THE PORTION OF THE PROFILE ABOVE THE EASEMENT CANNOT BE CONSIDERED FOR APPROVAL / BUILT UPON. THIS MAY VARY ONLY IN THE CIRCUMSTANCES WHERE BUILDING ON THE EASEMENT RECEIVES PRIOR WRITTEN CONSENT OF THE RELEVANT AUTHORITY.

m METRES



OVERLOOKING CONTROL AREA (refer 'overlooking' in MCP)



Beveridge Williams
development & environment consultants
Melbourne ph : 03 9524 8888
www.beveridgewilliams.com.au

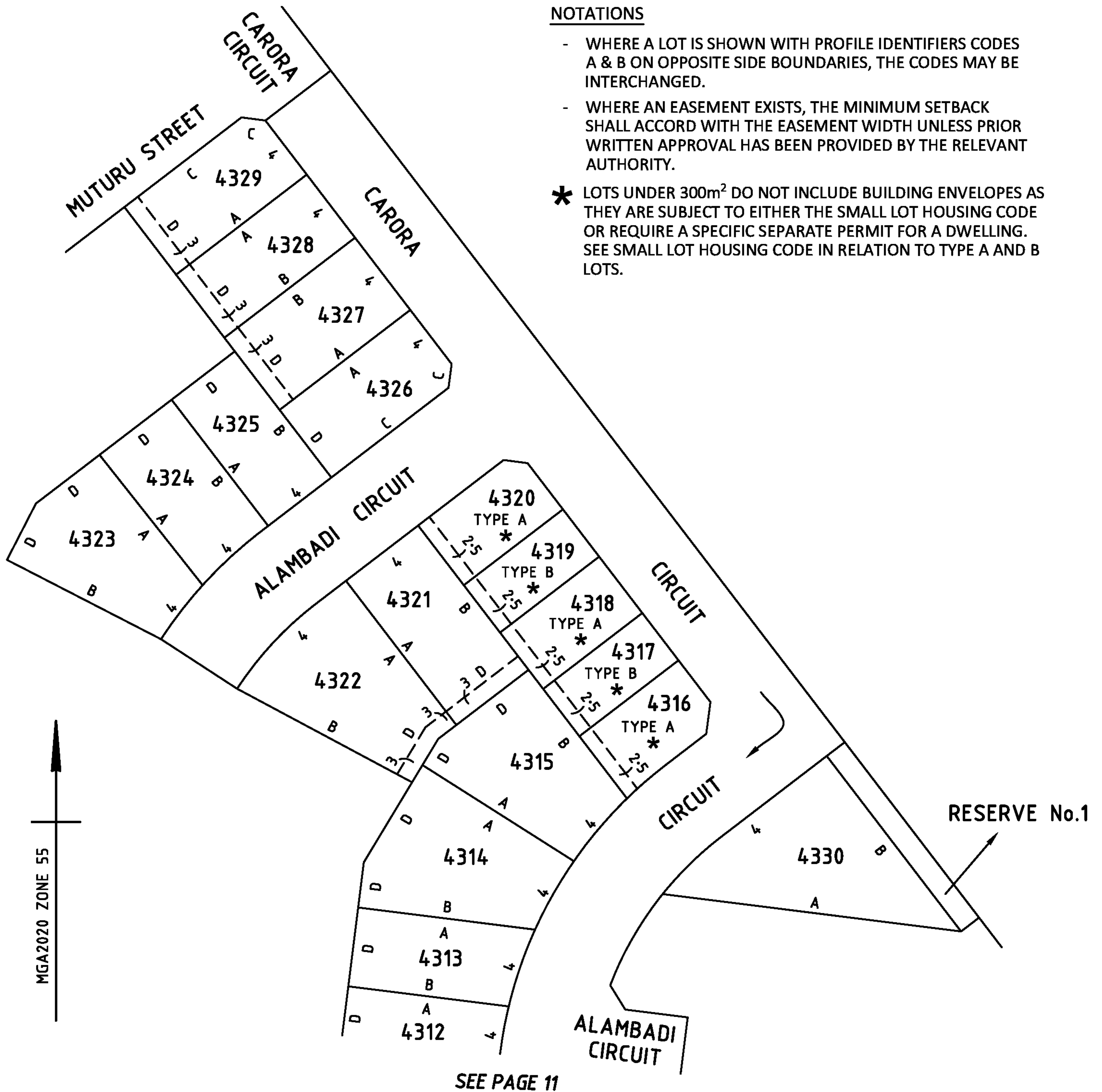
Ref: 1801767/43 Ver G
1801767-43-BE-Ver G.dwg

MCP

1. The provisions are to be numbered consecutively from number 1.
2. Further pages may be added but each page should be consecutively numbered.
3. To be used for the inclusion of provisions in instruments and plans.

BUILDING ENVELOPE DIAGRAM INCLUDING HEIGHT AND SETBACK PROFILE IDENTIFIER CODE

AA8876



NOTATIONS

- WHERE A LOT IS SHOWN WITH PROFILE IDENTIFIERS CODES A & B ON OPPOSITE SIDE BOUNDARIES, THE CODES MAY BE INTERCHANGED.
- WHERE AN EASEMENT EXISTS, THE MINIMUM SETBACK SHALL ACCORD WITH THE EASEMENT WIDTH UNLESS PRIOR WRITTEN APPROVAL HAS BEEN PROVIDED BY THE RELEVANT AUTHORITY.
- * LOTS UNDER 300m² DO NOT INCLUDE BUILDING ENVELOPES AS THEY ARE SUBJECT TO EITHER THE SMALL LOT HOUSING CODE OR REQUIRE A SPECIFIC SEPARATE PERMIT FOR A DWELLING. SEE SMALL LOT HOUSING CODE IN RELATION TO TYPE A AND B LOTS.

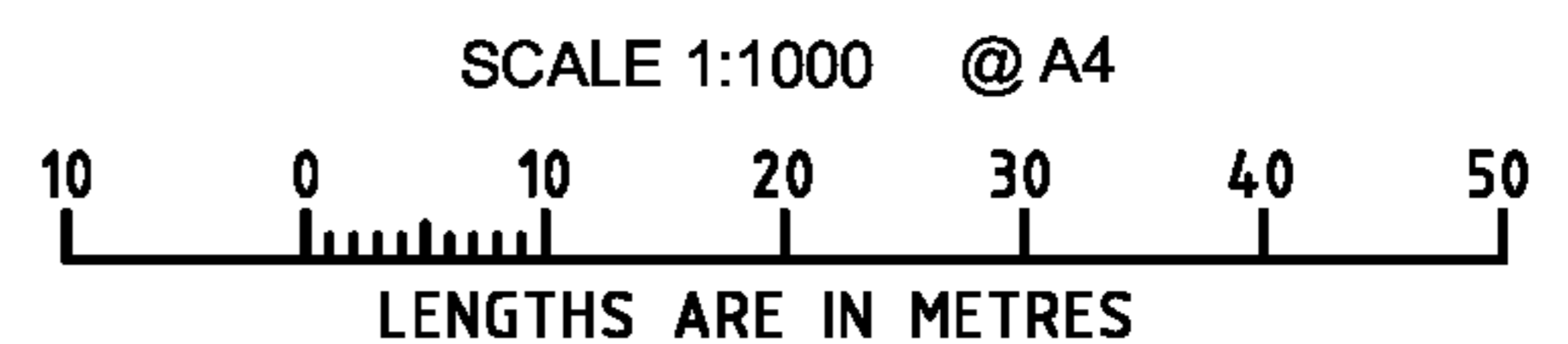
MGA2020 ZONE 55

RESERVE No.1

SEE PAGE 11



Ref: 1801767/43 Ver G
1801767-43-BE-Ver G.dwg



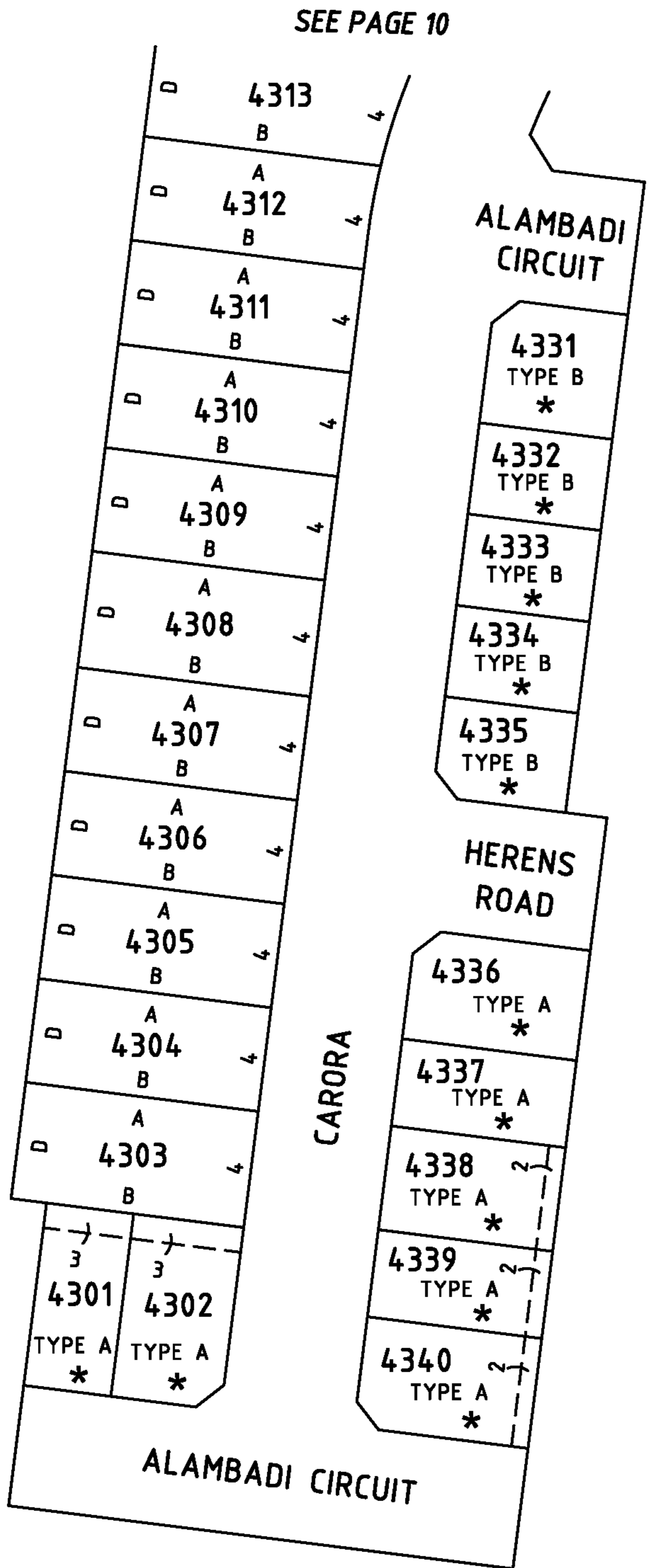
MCP

1. The provisions are to be numbered consecutively from number 1.
2. Further pages may be added but each page should be consecutively numbered.
3. To be used for the inclusion of provisions in instruments and plans.

THE BACK OF THIS FORM MUST NOT BE USED

BUILDING ENVELOPE DIAGRAM INCLUDING HEIGHT AND SETBACK PROFILE IDENTIFIER CODE

AA8876

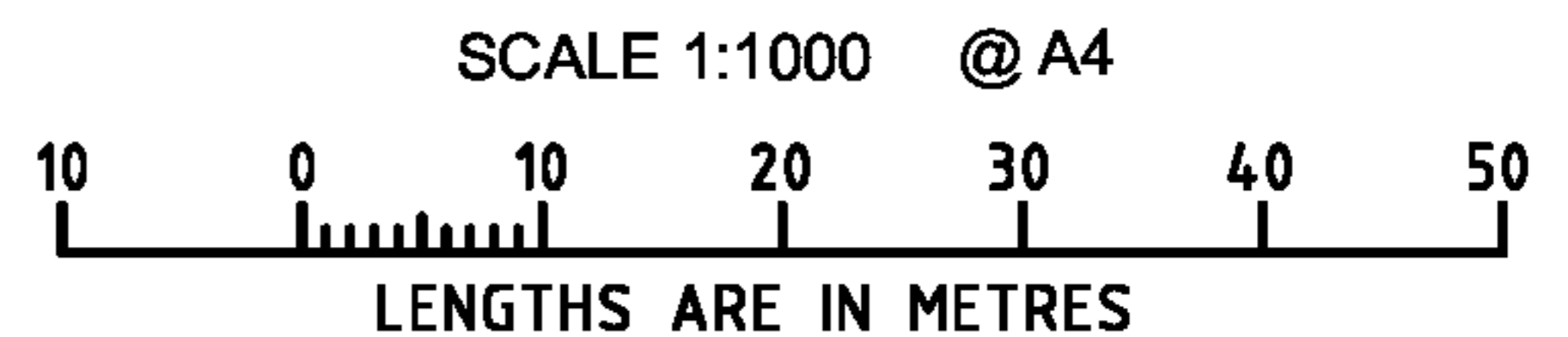


NOTATIONS

- WHERE A LOT IS SHOWN WITH PROFILE IDENTIFIERS CODES A & B ON OPPOSITE SIDE BOUNDARIES, THE CODES MAY BE INTERCHANGED.
- WHERE AN EASEMENT EXISTS, THE MINIMUM SETBACK SHALL ACCORD WITH THE EASEMENT WIDTH UNLESS PRIOR WRITTEN APPROVAL HAS BEEN PROVIDED BY THE RELEVANT AUTHORITY.
- * LOTS UNDER 300m² DO NOT INCLUDE BUILDING ENVELOPES AS THEY ARE SUBJECT TO EITHER THE SMALL LOT HOUSING CODE OR REQUIRE A SPECIFIC SEPARATE PERMIT FOR A DWELLING. SEE SMALL LOT HOUSING CODE IN RELATION TO TYPE A AND B LOTS.



Ref: 1801767/43 Ver G
1801767-43-BE-Ver G.dwg



MCP

1. The provisions are to be numbered consecutively from number 1.
2. Further pages may be added but each page should be consecutively numbered.
3. To be used for the inclusion of provisions in instruments and plans.

THE BACK OF THIS FORM MUST NOT BE USED